

Radial Lead Micro Fuse

Slow Blow

multicomp^{PRO}

RoHS Compliant



Environmental Specification

| | |
|---------------------------|---|
| Operating Temperature | : -55°C to +125°C |
| Vibration | : MIL-STD-202G, Method 201(10-55 Hz × 3axis/no load) |
| Salt Spray | : MIL-STD-202G, Method 101, Test Condition B (48Hrs) |
| Insulation Resistance | : MIL-STD-202G, Method 302, Test Condition A (After Opening) 10,000Ω minimum |
| Resistance to Solder Heat | : MIL-STD-202G, Method 210, Test Condition B (10sec,at 260°C) |
| Thermal Shock | : MIL-STD-202G, Method 107, Test Condition B (-65°C to +125°C) |

Physical Specification

| | |
|--------------|---------------------------------|
| Material | |
| Base and Cap | : Black Thermoplastic, UL 94-V0 |
| Round Pins | : Copper, Tin-plated |

Electrical Characteristic

| Rated Current | 1.5 In | | 2.1 In | | 2.75 In | | 4 In | | 10 In | |
|---------------|---------|--------|--------|--------|---------|-------|-------|--------|-------|------|
| | Min. | Max. | Min. | Max. | Min. | Max. | Min. | Max. | Min. | Max. |
| 50mA ~ 5A | 60 min. | 2 min. | 400 ms | 10 sec | 150 ms | 3 sec | 20 ms | 150 ms | | |
| 6.3A ~ 10A | 60 min. | 2 min. | 400 ms | 10 sec | 150 ms | 3 sec | 15 ms | 150 ms | | |

Specification Table

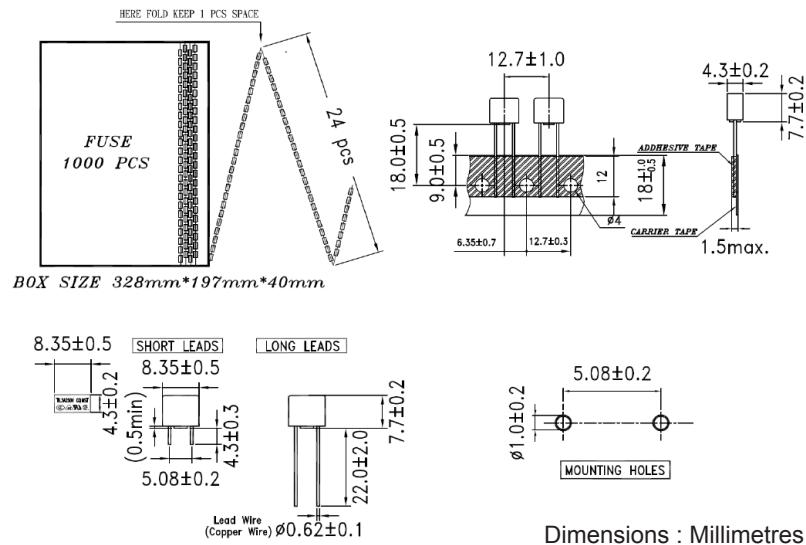
| Part Number | Ampere Rating (In) | Voltage Rating (V) | Nominal Resistance Cold Ω | Max. Voltage Drop (mV) | Nominal Melting I ² t A ² Sec |
|----------------|--------------------|--------------------|---------------------------|------------------------|---|
| MST 160mA 250V | 160mA | 250 | 0.8230 | 250 | 0.133100 |
| MST 200mA 250V | 200mA | | 0.5960 | 220 | 0.200000 |
| MST 250mA 250V | 250mA | | 0.4050 | 200 | 0.375000 |
| MST 315mA 250V | 315mA | | 0.2670 | 180 | 0.545700 |
| MST 400mA 250V | 400mA | | 0.2000 | 170 | 1.040000 |
| MST 500mA 250V | 500mA | | 0.1770 | 160 | 1.250000 |
| MST 630mA 250V | 630mA | | 0.1270 | 150 | 2.302000 |
| MST 800mA 250V | 800mA | | 0.0860 | 140 | 3.136000 |
| MST 1A 250V | 1 A | | 0.0650 | 130 | 6.500000 |
| MST 1.25A 250V | 1.25 A | | 0.0500 | 120 | 12.50000 |
| MST 1.6A 250V | 1.6 A | | 0.0370 | 100 | 18.94400 |
| MST 2A 250V | 2 A | | 0.0300 | | 32.00000 |
| MST 2.5A 250V | 2.5 A | | 0.0220 | | 37.50000 |
| MST 3.15A 250V | 3.15 A | | 0.0170 | | 84.34100 |
| MST 4A 250V | 4 A | | 0.0120 | | 144.0000 |

multicomp^{PRO}

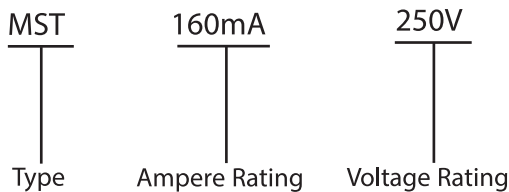
Radial Lead Micro Fuse Slow Blow

multicomp PRO

Mechanical Dimensions



Part Number Explanation



Ampere Rating : 160mA, 200mA, 250mA, 315mA, 400mA, 500mA, 630mA, 800mA, 1A, 1.25A, 1.6A, 2A, 2.5A, 3.15A and 4A.

Part Number Table

| Description | Part Number |
|-------------------------------|----------------|
| Radial Lead Micro Fuse, 160mA | MST 160mA 250V |
| Radial Lead Micro Fuse, 200mA | MST 200mA 250V |
| Radial Lead Micro Fuse, 250mA | MST 250mA 250V |
| Radial Lead Micro Fuse, 315mA | MST 315mA 250V |
| Radial Lead Micro Fuse, 400mA | MST 400mA 250V |
| Radial Lead Micro Fuse, 500mA | MST 500mA 250V |
| Radial Lead Micro Fuse, 630mA | MST 630mA 250V |
| Radial Lead Micro Fuse, 800mA | MST 800mA 250V |

| Description | Part Number |
|-------------------------------|----------------|
| Radial Lead Micro Fuse, 1A | MST 1A 250V |
| Radial Lead Micro Fuse, 1.25A | MST 1.25A 250V |
| Radial Lead Micro Fuse, 1.6A | MST 1.6A 250V |
| Radial Lead Micro Fuse, 2A | MST 2A 250V |
| Radial Lead Micro Fuse, 2.5A | MST 2.5A 250V |
| Radial Lead Micro Fuse, 3.15A | MST 3.15A 250V |
| Radial Lead Micro Fuse, 4A | MST 4A 250V |

Important Notice : This data sheet and its contents (the "Information") belong to the members of the AVNET group of companies (the "Group") or are licensed to it. No licence is granted for the use of it other than for information purposes in connection with the products to which it relates. No licence of any intellectual property rights is granted. The Information is subject to change without notice and replaces all data sheets previously supplied. The Information supplied is believed to be accurate but the Group assumes no responsibility for its accuracy or completeness, any error in or omission from it or for any use made of it. Users of this data sheet should check for themselves the Information and the suitability of the products for their purpose and not make any assumptions based on information included or omitted. Liability for loss or damage resulting from any reliance on the Information or use of it (including liability resulting from negligence or where the Group was aware of the possibility of such loss or damage arising) is excluded. This will not operate to limit or restrict the Group's liability for death or personal injury resulting from its negligence. Multicomp Pro is the registered trademark of Premier Farnell Limited 2019.

multicomp PRO