

>>> Rod ends

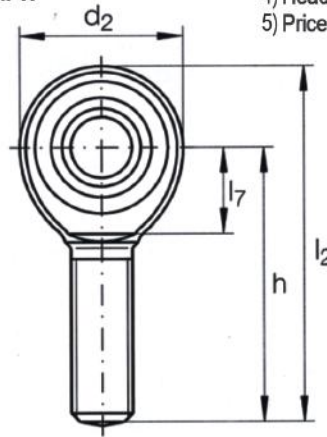
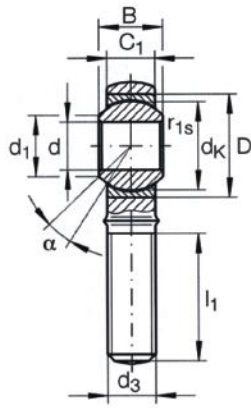
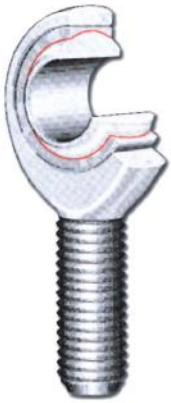
At www.rodavigo.net Family: Bearing accessories
Product: Needle roller bearings, spherical plain bearings

Hydraulic rod ends. GAKPR..PW series

Maintenance free DIN 648, series of measures K, ISO 6126.
Friction surfaces: steel / PTFE sheet.

- 1) With left-hand thread, the R is replaced by an L (Example: GAKPL ..).
- 2) Hole tolerance: H7 (arithmetic mean value).
- 3) Modified according to K measures series, DIN 648
- 4) Head load capacity
- 5) Price and possibility of supply, on request.

Series GAKPR..PW



Code ¹⁾²⁾	Dimensions											Edges dimens.	Load capacity		Weight	Radial clearance	Axis diam.		
	d ³⁾	D	B	dk	d1	d2	d3	h1	C1	α	l1		l2	l7				r1s	dyn. C
mm											degrees		min.	kN	kN	Kg	mm		
013GAKPR5PWA	5 +0,012	13	8 -0,12	11,112	7,7	18	M 5	33	6	13	19	42	-	0,3	6	4,89	0,013	0-0,035	5
013GAKPR6PWA	6 +0,012	16	9 -0,12	12,7	8,9	20	M 6	36	6,75	13	21	46	-	0,3	7,65	6,92	0,02	0-0,035	6
013GAKPR8PWA	8 +0,015	19	12 -0,12	15,875	10,3	24	M 8	42	9	14	25	54	-	0,3	12,9	12,9	0,038	0-0,035	8
013GAKPR10PWA	10 +0,015	22	14 -0,12	19,05	12,9	28	M 10	48	10,5	13	28	62	-	0,3	18	18,5	0,055	0-0,035	10
013GAKPR12PWA	12 +0,018	26	16 -0,12	22,225	15,4	32	M 12	54	12	13	32	70	-	0,3	24	20,8	0,085	0-0,035	12
013GAKPR14PWA	14 +0,018	28 ³⁾	19 -0,12	25,4	16,8	36	M 14	60	13,5	16	36	78	18	0,3	31	32	0,14	0-0,035	14
013GAKPR16PW	16 +0,018	32	21 -0,12	28,575	19,3	42	M 16	66	15	15	37	87	23	0,3	39	45,2	0,21	0-0,035	16
013GAKPR18PW	18 +0,018	35	23 -0,12	31,75	21,8	46	M 18x1,5	72	16,5	15	41	95	25	0,3	47,5	46,9	0,28	0-0,035	18
013GAKPR20PW	20 +0,021	40	25 -0,12	34,925	24,3	50	M 20x1,5	78	18	14	45	103	26	0,3	57	45,6	0,38	0-0,035	20
013GAKPR22PW	22 +0,021	42	28 -0,12	38,1	25,8	54	M 22x1,5	84	20	15	48	111	29	0,3	68	61,1	0,48	0-0,035	22
013GAKPR25PW	25 +0,021	47	31 -0,12	42,85	29,5	60	M 24x2	94	22	15	55	124	32	0,3	85	72,8	0,64	0-0,035	25
013GAKPR30PW	30 +0,021	55	37 -0,12	50,8	34,8	70	M 30x2	110	25	17	66	145	37	0,3	114	95,9	1,1	0-0,035	30

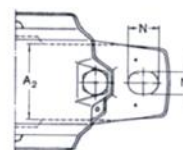
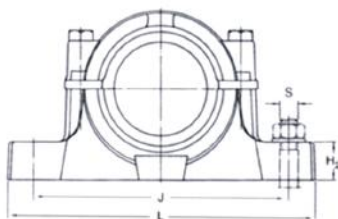
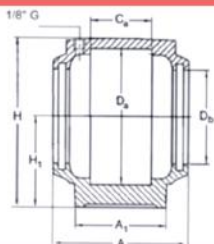


>>> Aluminium housings

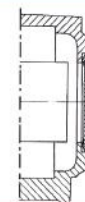
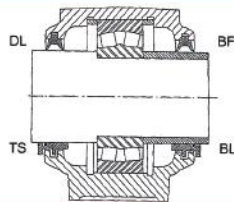
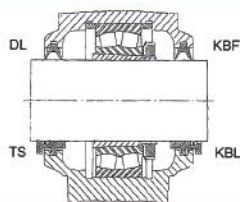
At www.rodavigo.net Family: Bearing accessories
Product: Bearing housings



Steel / stainless steel bearing. Type MUCAF 200 / Type UCAF 200 AB and Type MUCAF 200C (E) U1 / Type UCAF 200C (E) U1



Code	Ø axis dimensions												Screw	Bearing Stainless steel	Standard	Housing	
	L	J	A2	A1	A	N	A3	B	S	C1	Zs	Standard				With cap	
	mm												mm				
246UCAF204I	20	86	64	15	12	25.5	12	33.3	31	12.7	8	43	M 10	MUC204	UC204 AB	AF204	AF204C
246UCAF205I	25	95	70	16	14	27	12	35.7	34	14.3	11	48	M 10	MUC205	UC205 AB	AF205	AF205C
246UCAF206I	30	108	83	18	14	31	12	40.2	38.1	15.9	9	51	M 12	MUC206	UC206 AB	AF206	AF206C
246UCAF207I	35	117	92	19	16	34	14	44.4	42.9	17.5	8	54	M 14	MUC207	UC207 AB	AF207	AF207C
246UCAF208I	40	130	102	21	16	36	16	51.2	49.2	19	10	62	M 14	MUC208	UC208 AB	AF208	AF208C



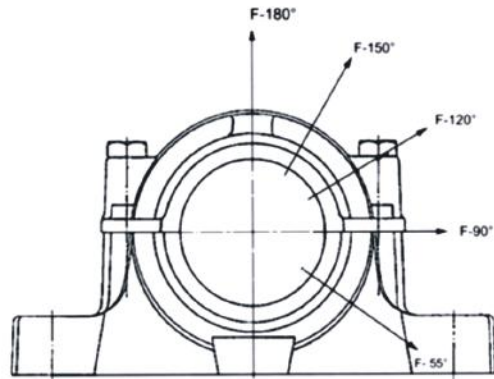
Steel / stainless steel bearing. Type MUCAP 200 / Type UCAP 200 AB and Type MUCAP 200C (E) U1 / Type UCAP 200C (E) U1

Code	Ø axis dimensions												Screw	Bearing Stainless steel	Standard	Housing		
	H	L	J	A	N	N1	H1	H2	B	S	C1	Zs				Standard	With cap	
	mm												mm					
246UCAP204I	20	33,3	127	95	38	13	19	15	65	31	12.7	8	56	M 10	MUC204	UC204 AB	AP204	AP204C
246UCAP205I	25	36,5	140	105	38	13	16	16	70	34	14.3	11	63	M 10	MUC205	UC205 AB	AP205	AP205C
246UCAP206I	30	42,9	165	121	48	17	21	18	83	38.1	15.9	9	65	M 14	MUC206	UC206 AB	AP206	AP206C
246UCAP207I	35	47,6	167	127	48	17	21	19	94	42.9	17.5	8	70	M 14	MUC207	UC207 AB	AP207	AP207C
246UCAP208I	40	49,2	184	137	54	17	25	19	100	49.2	19	10	82	M 14	MUC208	UC208 AB	AP208	AP208C

Steel / stainless steel bearing. Type MUCAFL 200 / Type UCAFL 200 AB and Type MUCAFL 200C (E) U1 / Type UCAFL 200C (E) U1

Code	Ø axis dimensions												Screw	Bearing Stainless steel	Standard	Housing		
	H	J	A2	A1	A	N	L	A3	B	S	C1	Zs				Standard	With cap	
	mm												mm					
246UCAFL204I	20	113	90	15	12	25.5	12	60	33.3	31	12.7	8	43	M10	MUC204	UC204 AB	AF204	AF204C
246UCAFL205I	25	130	99	16	14	27	16	68	35.7	34	14.3	11	48	M10	MUC205	UC205 AB	AF205	AF205C
246UCAFL206I	30	148	117	18	14	31	16	80	40.2	38.1	15.9	9	51	M12	MUC206	UC206 AB	AF206	AF206C
246UCAFL207I	35	161	130	19	16	34	16	90	44.4	42.9	17.5	8	54	M14	MUC207	UC207 AB	AF207	AF207C
246UCAFL208I	40	175	144	21	16	36	16	100	51.2	49.2	19	10	62	M14	MUC208	UC208 AB	AF208	AF208C

>>> Cast iron housings



SNX housing Code	Housing load break in load direction					SCREWS					BASE SCREWS	
	55°	90°	120°	150°	180°	Max load capacity MAT 8.8		Tightening torque			Tightening torque MAT 8.8	
222SNX505	160	95	70	60	80	M10X40	60	35	30	50	M12	85
222SNX506	170	100	80	65	85	M10X50	60	35	30	50	M12	85
222SNX507	190	110	85	80	95	M10X50	60	35	30	50	M12	85
222SNX508	210	130	95	85	105	M10X50	60	35	30	50	M12	85
222SNX509	225	140	100	90	120	M10X50	60	35	30	50	M12	85
222SNX510	265	160	120	105	130	M10X50	60	35	30	50	M12	85
222SNX511	280	170	125	120	140	M12X60	80	45	40	85	M16	210
222SNX512	300	180	130	125	150	M12X60	80	45	40	85	M16	210
222SNX513	335	200	150	130	170	M12X70	80	45	40	85	M16	210
222SNX515	400	250	180	150	200	M12X70	80	45	40	85	M16	210
222SNX516	425	265	190	170	210	M12X70	80	45	40	85	M20	410
222SNX517	475	280	200	180	235	M12X80	80	45	40	85	M20	410
222SNX518	530	335	250	210	265	M16X90	180	100	90	210	M20	410
222SNX519	560	355	265	225	280	M16X90	180	100	90	210	M20	410
222SNX520	630	375	280	250	300	M20X110	260	150	130	410	M24	710
222SNX522	670	400	315	280	335	M20X110	260	150	130	410	M24	710
222SNX524	800	450	355	315	400	M20X110	260	150	130	410	M24	710
222SNX526	900	530	400	355	450	M24X130	360	210	180	710	M24	710
222SNX528	1060	630	475	425	530	M24X130	360	210	180	710	M30	1450
222SNX530	1180	710	530	475	600	M24X150	360	210	180	710	M30	1450
222SNX532	1400	850	630	560	710	M24X150	360	210	180	710	M30	1450

SNX split base housings are totally interchangeable with series SN, SNE, SNA, SNH, SNL, SNU and SNV.

Dimensions according to the standard ISO 113/11-1979.

GG-25 gray cast iron. Designed for adapter sleeve taper bearings and mounted cylindrical bearings directly on a stepped axis.

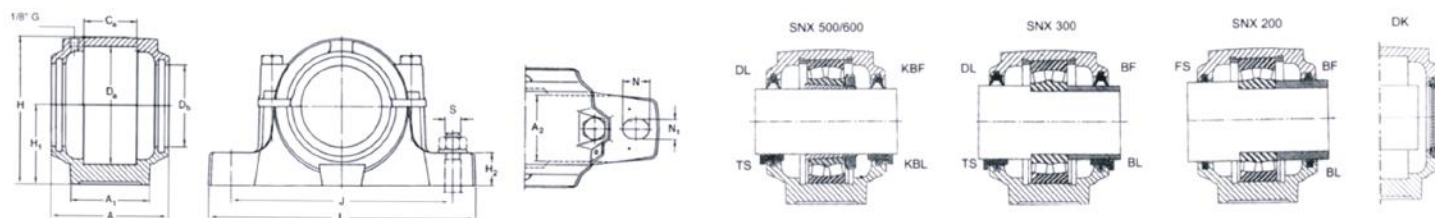
The bearing seat is machined to H8 tolerance and designed for free bearings. To fix the bearing you have to place a FRA fixing ring on each side.



>>> Cast iron housings

SNX housings

At www.rodavigo.net Family: Bearing accessories
Product: Cast bearing housings



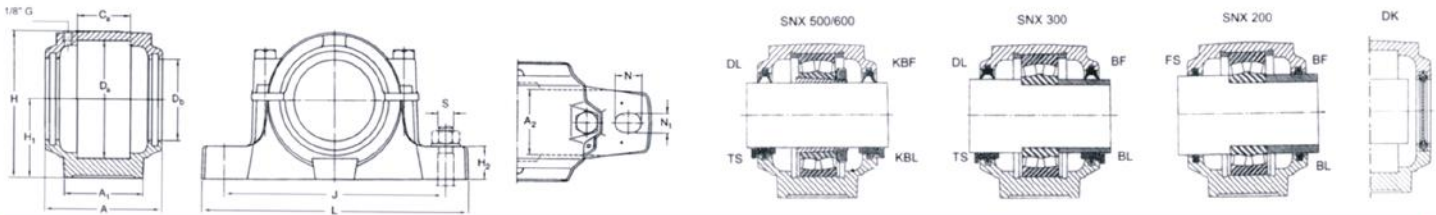
Reference	Dimensions														Weight	Bearing	Obturation Types				Guide Ring-Sleeve			Quantity
	A	A ₁	A ₂	C _a	D _a	D _b	H	H ₁	H ₂	J	L	N	N ₁	S			DL	Ts	Fs	Dk	H-205	FRA-52-5	Da	
kg																								
SNX505	67	46	42	25	52	31,5	71	40	19	130	165	20	13	10	1,50	1205K	DL-505	TS-505		DK-05	H-205	FRA-52-5	2	20
																2205K	DL-505	TS-505	FS-205X4	DK-05	H-305	FRA-52-3.5	2	
	67	46	42	25	52	31,5	71	40	19	130	165	20	13	10		1205		FS-205X4	DK-05		FRA-52-5	2	30	
																	2205		FS-205X4	DK-05		FRA-52-3.5	2	
																22205			DK-05		FRA-52-3.5	2		
SNX506605	77	52	45	32	62	36,5	87	50	22	150	185	22	13	10	2,00	1305K	DL-605	TS-605		DK-06	H-305	FRA-62-7.5	2	20
																1206K	DL-506	TS-506		DK-06	H-206	FRA-62-8	2	25
	77	52	45	32	62	36,5	87	50	22	150	185	22	13	10		2206K	DL-506	TS-506	FS-206X4	DK-06	H-306	FRA-62-6	2	
																	1206		FS-206X4	DK-06		FRA-62-8	2	35
																2206		FS-206X4	DK-06		FRA-62-6	2		
																22206			DK-06		FRA-62-6	2		
SNX507606	82	52	45	34	72	46,5	92	50	22	150	185	20	13	10	2,10	1306K	DL-606	TS-606		DK-07	H-306	FRA-72-7.5	2	25
																2306K	DL-606	TS-606		DK-07	H-2306	FRA-72-3.5	2	
	82	52	45	34	72	46,5	92	50	22	150	185	20	13	10		1207K	DL-507	TS-507		DK-07	H-207	FRA-72-8.5	2	30
																2207K	DL-507	TS-507		DK-07	H-307	FRA-72-5.5	2	
																22207 K	DL-507	TS-507		DK-07	H-307	FRA-72-5.5	2	
	82	52	45	34	72	46,5	92	50	22	150	185	20	13	10		1306	DL-306	TS-306		DK-07		FRA-72-7.5	2	35
															21306	DL-306	TS-306	FS-207X4	DK-07		FRA-72-3.5	2		
																1207		FS-207X4	DK-07		FRA-72-8.5	2	45	
																2207		FS-207X4	DK-07		FRA-72-5.5	2		
																22207			DK-07		FRA-72-5.5	2		
SNX508607	85	60	50	39	80	51,5	106	60	25	170	205	20	15	12	2,90	1307K	DL-607	TS-607		DK-08	H-307	FRA-80-9	2	30
																2307K	DL-607	TS-607		DK-08	H-2307	FRA-80-4	2	
	85	60	50	39	80	51,5	106	60	25	170	205	20	15	12		1208K	DL-508	TS-508		DK-08	H-208	FRA-80-10.5	2	35
																2208K	DL-508	TS-508		DK-08	H-308	FRA-80-8	2	
																22208K	DL-508	TS-508	FS-208X4	DK-08	H-308	FRA-80-8	2	
																1208		FS-208X4	DK-08		FRA-80-10.5	2	50	
																2208		FS-208X4	DK-08		FRA-80-8	2		
																22208			DK-08		FRA-80-8	2		
SNX509	85	60	50	30	85	56,5	109	60	25	170	205	20	15	12	3,00	1209K	DL-509	TS-509		DK-09	H-209	FRA-85-5.5	2	40
																2209K	DL-509	TS-509		DK-09	H-309	FRA-85-3.5	2	
																22209K	DL-509	TS-509	FS-209X4	DK-09	H-309	FRA-85-3.5	2	
	85	60	50	30	35	56,5	109	60	25	170	205	20	15	12		1209		FS-209X4	DK-09		FRA-85-5.5	2	55	
																2209		FS-209X4	DK-09		FRA-85-3.5	2		
																22209			DK-09		FRA-85-3.5	2		
SNX510608	90	60	50	41	90	62,0	112	60	25	170	205	20	15	12	3,25	1308K	DL-608	TS-608		DK-10	H-308	FRA-90-9	2	35
																2308K	DL-608	TS-608		DK-10	H-2308	FRA-90-4	2	
																21308K	DL-608	TS-608		DK-10	H-308	FRA-90-9	2	
																22308K	DL-608	TS-608		DK-10	H-2308	FRA-90-4	2	
	90	60	50	41	90	62,2	112	60	25	170	205	20	15	12		1210K	DL-510	TS-510		DK-10	H-210	FRA-90-10.5	2	45
																2210K	DL-510	TS-510		DK-10	H-310	FRA-90-9	2	
																22210K	DL-510	TS-510		DK-10	H-310	FRA-90-9	2	
	90	60	50	41	90	62,2	112	60	25	170	205	20	15	12		1308	DL-308	TS-308		DK-10		FRA-90-9	2	50
																2308	DL-308	TS-308		DK-10		FRA-90-4	2	
																21308	DL-308	TS-308		DK-10		FRA-90-9	2	
																22308	DL-308	TS-308	FS-210X4	DK-10		FRA-90-4	2	
	90	60	50	41	90	62,2	112	60	25	170	205	20	15	12		1210		FS-210X4	DK-10		FRA-90-10.5	2	60	
															2210		FS-210X4	DK-10		FRA-90-9	2			
															22210			DK-10		FRA-90-9	2			

BEARING ACCESSORIES

>>> Cast iron housings

At www.rodavigo.net Family: Bearing accessories
Product: Cast bearing housings

SNX housings



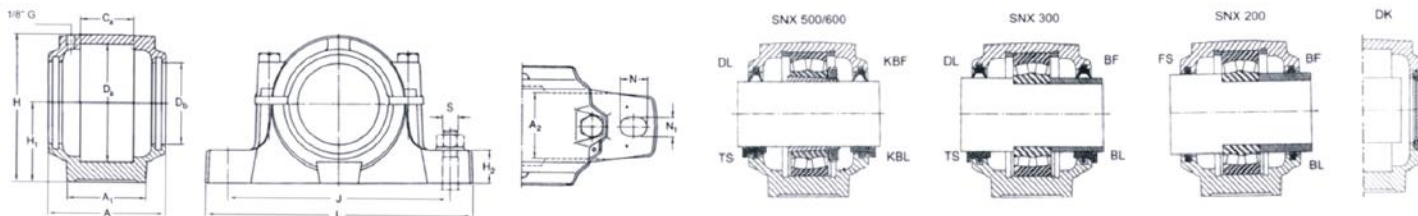
Reference	Dimensions															Weight	Bearing	Obturation Types				Guide Ring-Sleeve			Quantity
	A	A1	A2	Ca	Da	Db	H	H1	H2	J	L	N	N1	S	DL			Ts	Fs	Dk	H	FRA	Da		
SNX511609	95	70	58	44	100	67,0	127	70	28	210	255	23	18	16	4,50	1309K	DL-609	TS-609	-	DK-11	H-309	FRA-100-9,5	2	40	
																2309K	DL-609	TS-609	-	DK-11	H-2309	FRA-100-4	2		
																21309K	DL-609	TS-609	-	DK-11	H-309	FRA-100-9,5	2		
																22309K	DL-609	TS-609	-	DK-11	H-2309	FRA-100-4	2		
	95	70	58	44	100	67,0	127	70	28	210	255	23	18	16		1211K	DL-511	TS-511	-	DK-11	H-211	FRA-100-11,5	2	50	
																2211K	DL-511	TS-511	-	DK-11	H-311	FRA-100-9,5	2		
																22211K	DL-511	TS-511	-	DK-11	H-311	FRA-100-9,5	2		
	95	70	58	44	100	67,0	127	70	28	210	255	23	18	16		1309	DL-309	TS-309	-	DK-11	-	FRA-100-9,5	2	55	
																2309	DL-309	TS-309	-	DK-11	-	FRA-100-4	2		
																21309	DL-309	TS-309	-	DK-11	-	FRA-100-9,5	2		
																22309	DL-30	TS-309	-	DK-11	-	FRA-100-4	2		
	95	70	58	44	100	67,0	127	70	28	210	255	23	18	16		1211	-	-	FS-211x4	DK-11	-	FRA-100-11,5	2	65	
																2211	-	-	FS-211x4	DK-11	-	FRA-100-9,5	2		
																22211	-	-	FS-211x4	DK-11	-	FRA-100-9,5	2		
	SNX512610	105	70	60	48	48	72,0	133	70	30	210	255	23	18	16	5,50	1310K	DL-610	TS-610	-	DK-12	H-310	FRA-110-10,5	2	45
																	2310K	DL-610	TS-610	-	DK-12	H-2310	FRA-110-4	2	
21310K																	DL-610	TS-610	-	DK-12	H-310	FRA-110-10,5	2		
22310K																	DL-610	TS-610	-	DK-12	H-2310	FRA-110-4	2		
105		70	60	48	48	72,0	133	70	30	210	255	23	18	16		1212K	DL-512	TS-512	-	DK-12	H-212	FRA-110-13	2	55	
																2212K	DL-512	TS-512	-	DK-12	H-312	FRA-110-10	2		
																22212K	DL-512	TS-512	-	DK-12	H-312	FRA-110-10	2		
105		70	60	48	48	72,0	133	70	30	210	255	23	18	16		1310	DL-310	TS-310	-	DK-12	-	FRA-110-10,5	2	60	
																2310	DL-310	TS-310	-	DK-12	-	FRA-110-4	2		
																21310	DL-310	TS-310	-	DK-12	-	FRA-110-10,5	2		
																22310	DL-310	TS-310	-	DK-12	-	FRA-110-4	2		
105		70	60	48	48	72,0	133	70	30	210	255	23	18	16		1212	-	-	FS-212x4	DK-12	-	FRA-110-13	2	70	
																2212	-	-	FS-212x4	DK-12	-	FRA-110-10	2		
																22212	-	-	FS-212x4	DK-12	-	FRA-110-10	2		
SNX513611		110	80	65	51	51	77,0	148	80	30	230	275	24	18	16	6,25	1311K	DL-611	TS-611	-	DK-13	H-311	FRA-120-11	2	50
																	2311K	DL-611	TS-611	-	DK-13	H-2311	FRA-120-4	2	
	21311K																DL-611	TS-611	-	DK-13	H-311	FRA-120-11	2		
	22311K																DL-611	TS-611	-	DK-13	H-2311	FRA-120-4	2		
	110	80	65	51	51	77,0	148	80	30	230	275	24	18	16		1213K	DL-513	TS-513	-	DK-13	H-213	FRA-120-14	2	60	
																2213K	DL-513	TS-513	-	DK-13	H-313	FRA-120-10	2		
																22213K	DL-513	TS-513	-	DK-13	H-313	FRA-120-10	2		
	110	80	65	51	51	77,0	148	80	30	230	275	24	18	16		1311	DL-311	TS-311	-	DK-13	-	FRA-120-11	2	65	
																2311	DL-311	TS-311	-	DK-13	-	FRA-120-4	2		
																21311	DL-311	TS-311	-	DK-13	-	FRA-120-11	2		
																22311	DL-311	TS-311	FS-213x4	DK-13	-	FRA-120-4	2		
	110	80	65	51	51	77,0	148	80	30	230	275	24	18	16		1213	-	-	FS-213x4	DK-13	-	FRA-120-14	2	75	
																2213	-	-	FS-213x4	DK-13	-	FRA-120-10	2		
																22213	-	-	FS-213x4	DK-13	-	FRA-120-10	2		
	SNX515612	115	115	80	56	130	87,0	154	80	30	230	280	26	18	16	7,50	1312K	DL-612	TS-612	-	DK-15	H-312	FRA-130-12,5	2	55
																	2312K	DL-612	TS-612	-	DK-15	H-2312	FRA-130-5	2	
21312K																	DL-612	TS-612	-	DK-15	H-312	FRA-130-12,5	2		
22312K																	DL-612	TS-612	-	DK-15	H-2312	FRA-130-5	2		
115		115	80	56	130	87,0	154	80	30	230	280	26	18	16		1215K	DL-515	TS-515	-	DK-15	H-215	FRA-130-15,5	2	65	
																2215K	DL-515	TS-515	-	DK-15	H-315	FRA-130-12,5	2		
																22215K	DL-515	TS-515	-	DK-15	H-315	FRA-130-12,5	2		



>>> Cast iron housings

SNX housings

At www.rodavigo.net Family: Bearing accessories
Product: Cast bearing housings



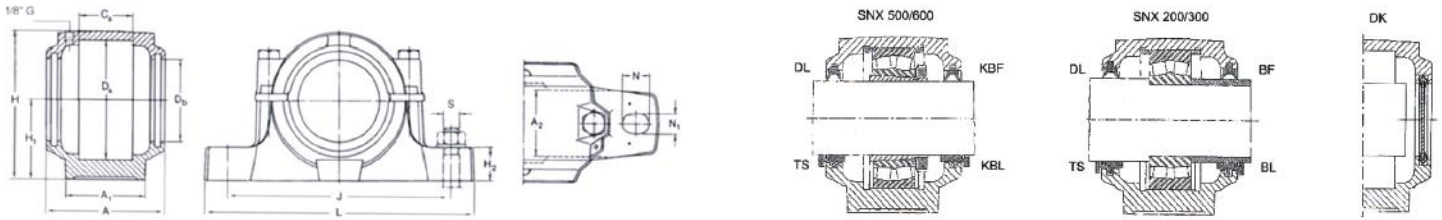
Reference	Dimensions														Weight	Bearing	Obturation Types				Guide Ring-Sleeve	Quantity						
	A	A1	A2	Ca	Da	Db	H	H1	H2	J	L	N	N1	S			DL	Ts	Fs	Dk			Da					
SNX515612															kg													
	115	80	65	56	130	87,0	154	80	30	230	280	26	18	16	7,50	1312	DL-312	TS-312	-	DK-15	-	FRA-130-12,5	2	70				
																2312	DL-312	TS-312	-	DK-15	-	FRA-130-5	2					
																21312	DL-312	TS-312	-	DK-15	-	FRA-130-12,5	2					
																22312	DL-312	TS-312	-	DK-15	-	FRA-130-5	2					
	115	80	65	56	130	87,0	154	80	30	230	280	26	18	16		1215	-	-	FS-215x4	DK-15	-	FRA-130-15,5	2	85				
2215																-	-	FS-215x4	DK-15	-	FRA-130-12,5	2						
22215																-	-	FS-215x4	DK-15	-	FRA-130-12,5	2						
SNX516613	120	90	75	58	140	92,5	175	95	32	260	315	29	22	20	10,00	1313K	DL-613	TS-613	-	DK-16	H-313	FRA-140-12,5	2	60				
																2313K	DL-613	TS-613	-	DK-16	H-2313	FRA-140-5	2					
																21313K	DL-613	TS-613	-	DK-16	H-313	FRA-140-12,5	2					
																22313K	DL-613	TS-613	-	DK-16	H-2313	FRA-140-5	2					
	120	90	75	58	140	92,5	175	95	32	260	315	29	22	20		1216K	DL-516	TS-516	-	DK-16	H-216	FRA-140-16	2	70				
																2216K	DL-516	TS-516	-	DK-16	H-316	FRA-140-12,5	2					
																22216K	DL-516	TS-516	-	DK-16	H-316	FRA-140-12,5	2					
	120	90	75	58	140	92,5	175	95	32	260	315	29	22	20		1313	DL-313	TS-313	-	DK-16	-	FRA-140-12,5	2	75				
																2313	DL-313	TS-313	-	DK-16	-	FRA-140-5	2					
																21313	DL-313	TS-313	-	DK-16	-	FRA-140-12,5	2					
																22313	DL-313	TS-313	-	DK-16	-	FRA-140-5	2					
120	90	75	58	140	92,5	175	95	32	260	315	29	22	20		1216	-	-	FS-216x4	DK-16	-	FRA-140-16	2	90					
															2216	-	-	FS-216x4	DK-16	-	FRA-140-12,5	2						
															22216	-	-	FS-216x4	DK-16	-	FRA-140-12,5	2						
SNX517	125	90	75	61	150	97,5	181	95	32	260	320	30	22	20	10,50	1217K	DL-517	TS-517	-	DK-17	H-217	FRA-150-16,5	2	75				
																2217K	DL-517	TS-517	-	DK-17	H-317	FRA-150-12,5	2					
																22217K	DL-517	TS-517	-	DK-17	H-317	FRA-150-12,5	2					
	125	90	75	61	150	97,5	181	95	32	260	320	30	22	20		1314	DL-314	TS-314	-	DK-17	-	FRA-150-13	2	80				
																2314	DL-314	TS-314	-	DK-17	-	FRA-150-5	2					
																21314	DL-314	TS-314	-	DK-17	-	FRA-150-13	2					
																22314	DL-314	TS-314	-	DK-17	-	FRA-150-5	2					
	125	90	75	61	150	97,5	181	95	32	260	320	30	22	20		1217	-	-	FS-217x4	DK-17	-	FRA-150-16,5	2	95				
																2217	-	-	FS-217x4	DK-17	-	FRA-150-12,5	2					
																22217	-	-	FS-217x4	DK-17	-	FRA-150-12,5	2					
SNX518615	140	100	85	65	160	102,5	192	100	35	290	345	27	22	20	13,50	1315K	DL-615	TS-615	-	DK-18	H-315	FRA-160-14	2	65				
																2315K	DL-615	TS-615	-	DK-18	H-2315	FRA-160-5	2					
																21315K	DL-615	TS-615	-	DK-18	H-315	FRA-160-14	2					
																22315K	DL-615	TS-615	-	DK-18	H-2315	FRA-160-5	2					
	140	100	85	65	160	102,5	192	100	35	290	345	27	22	20		1218K	DL-518	TS-518	-	DK-18	H-218	FRA-160-17,5	2	80				
																2218K	DL-518	TS-518	-	DK-18	H-318	FRA-160-12,5	2					
																22218K	DL-518	TS-518	-	DK-18	H-318	FRA-160-12,5	2					
																23218K	DL-518	TS-518	-	DK-18	H-2318	FRA-160-6,3	2					
	140	100	85	65	160	102,5	192	100	35	290	345	27	22	20		1315	DL-315	TS-315	-	DK-18	-	FRA-160-14	2	85				
																2315	DL-315	TS-315	-	DK-18	-	FRA-160-5	2					
																21315	DL-315	TS-315	-	DK-18	-	FRA-160-14	2					
																22315	DL-315	TS-315	-	DK-18	-	FRA-160-5	2					
	140	100	85	65	160	102,5	192	100	35	290	345	27	22	20		1218	-	-	FS-218x4	DK-18	-	FRA-160-17,5	2	100				
																2218	-	-	FS-218x4	DK-18	-	FRA-160-12,5	2					
																22218	-	-	FS-218x4	DK-18	-	FRA-160-12,5	2					
																22318	-	-	FS-218x4	DK-18	-	FRA-160-12,5	2					
23218																-	-	FS-218x4	DK-18	-	FRA-160-6,3	2						

BEARING ACCESSORIES

>>> Cast iron housings

At www.rodavigo.net Family: Bearing accessories
Product: Cast bearing housings

SNX housings



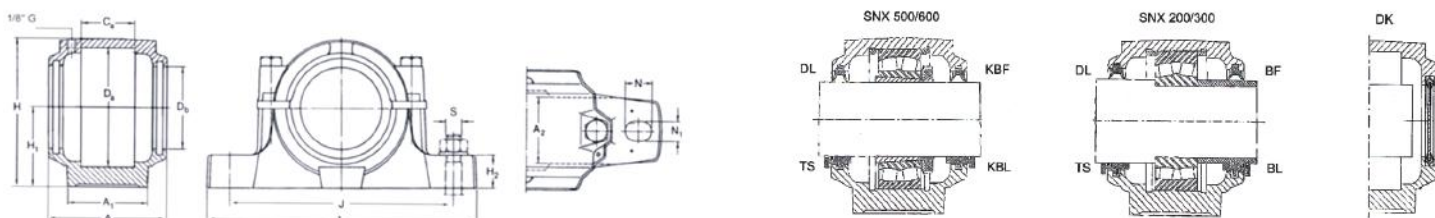
Reference	Dimensions														Weight	Bearing	Obturation Types			Guide Ring-Sleeve		Quantity						
	A	A1	A2	Ca	Da	Db	H	H1	H2	J	L	N	N1	S			DL	TS	DK		da							
SNX519616															kg													
	145	100	85	68	170	131,0	209	112	35	290	345	27	22	20	13,75	1316K	DL-616	TS-616	DK-19	H-316	FRA-170-14,5	2	70					
																2316K	DL-616	TS-616	DK-19	H-2316	FRA-170-5	2						
																21316K	DL-616	TS-616	DK-19	H-316	FRA-170-14,5	2						
																22316K	DL-616	TS-616	DK-19	H-2316	FRA-170-5	2						
	145	100	85	68	170	131,0	209	112	35	290	345	27	22	20		1219K	DL-519	TS-519	DK-19	H-219	FRA-170-18	2	85					
																2219K	DL-519	TS-519	DK-19	H-319	FRA-170-12,5	2						
																22219K	DL-519	TS-519	DK-19	H-319	FRA-170-12,5	2						
	145	100	85	68	170	131,0	209	112	35	290	345	27	22	20		1316	DL-316	TS-316	DK-19	-	FRA-170-14,5	2	90					
																2316	DL-316	TS-316	DK-19	-	FRA-170-5	2						
																21316	DL-316	TS-316	DK-19	-	FRA-170-14,5	2						
																22316	DL-316	TS-316	DK-19	-	FRA-170-5	2						
SNX520617	160	110	95	70	180	137,5	215	112	40	320	380	32	26	24	20,00	1317K	DL-617	TS-617	DK-20	H-317	FRA-180-14,5	2	75					
																2317K	DL-617	TS-617	DK-20	H-2317	FRA-180-5	2						
																21317K	DL-617	TS-617	DK-20	H-317	FRA-180-14,5	2						
																22317K	DL-617	TS-617	DK-20	H-2317	FRA-180-5	2						
	160	110	95	70	180	137,5	215	112	40	320	380	32	26	24		1220K	DL-520	TS-520	DK-20	H-220	FRA-180-18	2	90					
																2220K	DL-520	TS-520	DK-20	H-320	FRA-180-12	2						
																22220K	DL-520	TS-520	DK-20	H-320	FRA-180-12	2						
																23220K	DL-520	TS-520	DK-20	H-2320	FRA-180-4,85	2						
	160	110	95	70	180	137,5	215	112	40	320	380	32	26	24		1317	DL-317	TS-317	DK-20	-	FRA-180-14,5	2	95					
																2317	DL-317	TS-317	DK-20	-	FRA-180-5	2						
																21317	DL-317	TS-317	DK-20	-	FRA-180-14,5	2						
																22317	DL-317	TS-317	DK-20	-	FRA-180-5	2						
	160	110	95	70	180	137,5	215	112	40	320	380	32	26	24		1220	DL-220	TS-220	DK-20	-	FRA-180-19	2	115					
																2220	DL-220	TS-220	DK-20	-	FRA-180-12	2						
																22220	DL-220	TS-220	DK-20	-	FRA-180-12	2						
																23220	DL-220	TS-220	DK-20	-	FRA-180-4,85	2						
SNX522619	175	120	100	80	200	147,5	239	125	45	350	410	32	26	24	25,00	1319K	DL-619	TS-619	DK-22	H-319	FRA-200-17,5	2	85					
																2319K	DL-619	TS-619	DK-22	H-2319	FRA-200-6,5	2						
																21319K	DL-619	TS-619	DK-22	H-319	FRA-200-17,5	2						
																22319K	DL-619	TS-619	DK-22	H-2319	FRA-200-6,5	2						
	175	120	100	80	200	147,5	239	125	45	350	410	32	26	24		1222K	DL-522	TS-522	DK-22	H-222	FRA-200-21	2	100					
																2222K	DL-522	TS-522	DK-22	H-322	FRA-200-13,5	2						
																22222K	DL-522	TS-522	DK-22	H-322	FRA-200-13,5	2						
																23222K	DL-522	TS-522	DK-22	H-2322	FRA-200-5,1	2						
	175	120	100	80	200	147,5	239	125	45	350	410	32	26	24		1319	DL-319	TS-319	DK-22	-	FRA-200-17,5	2	110					
																2319	DL-319	TS-319	DK-22	-	FRA-200-6,5	2						
																21319	DL-319	TS-319	DK-22	-	FRA-200-17,5	2						
																22319	DL-319	TS-319	DK-22	-	FRA-200-6,5	2						
	175	120	100	80	200	147,5	239	125	45	350	410	32	26	24		1222	DL-222	TS-222	DK-22	-	FRA-200-21	2	125					
																2222	DL-222	TS-222	DK-22	-	FRA-200-13,5	2						
																22222	DL-222	TS-222	DK-22	-	FRA-200-13,5	2						
																23222	DL-222	TS-222	DK-22	-	FRA-200-6,5	2						
SNX524620	185	120	100	86	215	157,5	271	140	45	350	410	32	26	24	28,5	1320K	DL-620	TS-620	DK-24	H-320	FRA-215-19,5	2	90					
																2320K	DL-620	TS-620	DK-24	H-2320	FRA-215-6,5	2						
																21320K	DL-620	TS-620	DK-24	H-320	FRA-215-19,5	2						
																22320K	DL-620	TS-620	DK-24	H-2320	FRA-215-6,5	2						
	185	120	100	86	215	157,5	271	140	45	350	410	32	26	24		22224K	DL-524	TS-524	DK-24	H-3124	FRA-215-14	2	110					
																23224K	DL-524	TS-524	DK-24	H-2324	FRA-215-5	2						
	185	120	100	86	215	157,5	271	140	45	350	410	32	26	24		1320	DL-320	TS-320	DK-24	-	FRA-215-19,5	2	115					
																2320	DL-320	TS-320	DK-24	-	FRA-215-6,5	2						
																21320	DL-320	TS-320	DK-24	-	FRA-215-19,5	2						
																22320	DL-320	TS-320	DK-24	-	FRA-215-6,5	2						
	185	120	100	86	215	157,5	271	140	45	350	410	32	26	24		22224	DL-224	TS-224	DK-24	-	FRA-215-14	2	135					
																23224	DL-224	TS-224	DK-24	-	FRA-215-5	2						



>>> Cast iron housings

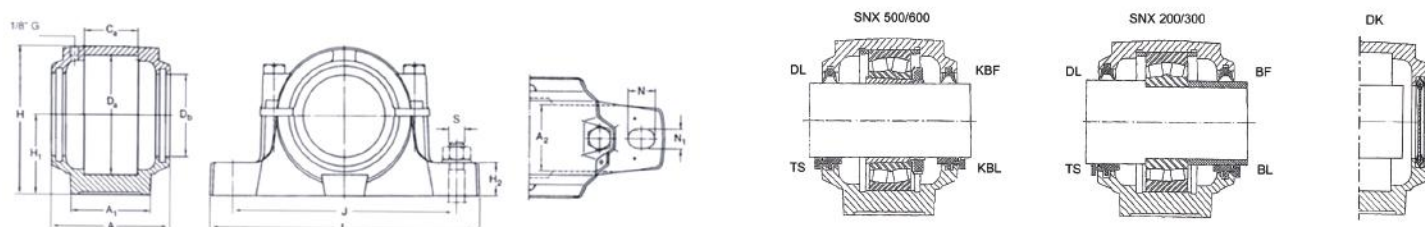
SNX housings

At www.rodavigo.net Family: Bearing accessories
Product: Cast bearing housings



Reference	Dimensions														Weight	Bearing	Obturation Types			Sleeve	Ring-guide	Quantity	
	A	A ₁	A ₂	Ca	Da	Db	H	H ₁	H ₂	J	L	N	N ₁	S			DL	TS	DK			da	
SNX526	190	130	110	90	230	167,5	290	150	50	380	445	35	28	24	36,5	22226K	DL-526	TS-526	DK-26	H-3126	FRA-230-13	2	115
																23226K	DL-526	TS-526	DK-26	H-2326	FRA-230-5	2	
	190	130	110	90	230	167,5	290	150	50	380	445	35	28	24		22226	DL-226	TS-226	DK-26		FRA-230-13	2	145
SNX528	205	150	130	98	250	177,5	302	150	50	420	500	42	35	30	49,00	22228K	DL-528	TS-528	DK-28	H-3128	FRA-250-15	2	125
																23228K	DL-528	TS-528	DK-28	H-2328	FRA-250-5	2	
	205	150	130	98	250	177,5	302	150	50	420	500	42	35	30		22228	DL-228	TS-228	DK-28		FRA-250-15	2	155
SNX530	220	160	140	106	270	192,5	323	160	60	450	530	42	35	30	56,50	22230K	DL-530	TS-530	DK-30	H-3130	FRA-270-16,5	2	135
																23230K	DL-530	TS-530	DK-30	H-2330	FRA-270-5	2	
	220	160	140	106	270	192,5	323	160	60	450	530	42	35	30		22230	DL-230	TS-230	DK-30		FRA-270-16,5	2	165
SNX532	235	160	140	114	290	202,5	344	170	60	470	550	42	35	30	64,50	22232K	DL-532	TS-532	DK-32	H-3132	FRA-290-17	2	140
																23232K	DL-532	TS-532	DK-32	H-2332	FRA-290-5	2	
	235	160	140	114	290	202,5	344	170	60	470	550	42	35	30		22232	DL-232	TS-232	DK-32		FRA-290-17	2	175
																23232	DL-232	TS-232	DK-32		FRA-290-5	2	

SN-600 housings



Code	Dimensions									Weight	Bearing	Obturation Types			Sleeve	Ring-guide	Quantity	
	H ₁	H	A	L	A ₁	H ₂	J	s				DL	TS	DK			d1	
222SN618	112	220	170	380	110	40	320	24	22,60	1318K	DL-518	TS-518	DK-18	H-318	FRA-190-16	2	80	
										2318K	DL-518	TS-518	DK-18	H-2318	FRA-190-11	1		
										21318K	DL-518	TS-518	DK-18	H-318	FRA-190-16	2		
										22318K	DL-518	TS-518	DK-18	H-2318	FRA-190-11	1		
222SN622	150	295	190	450	130	50	390	24	48,00	1322K	DL-522	TS-522	DK-22	H-322	FRA-240-20	2	100	
										2322K	DL-522	TS-522	DK-22	H-2322	FRA-240-10	1		
										21322K	DL-522	TS-522	DK-22	H-322	FRA-240-20	2		
										22322K	DL-522	TS-522	DK-22	H-2322	FRA-240-10	1		
222SN624	160	320	200	530	160	60	450	30	68,00	22324K	DL-524	TS-524	DK-24	H-2324	FRA-260-10	1	110	
222SN626	170	340	210	550	160	60	470	30	70,00	22326K	DL-526	TS-226	DK-26	H-2326	FRA-280-10	1	115	
222SN628	180	365	235	620	170	65	520	30	84,00	22328K	DL-528	TS-528	DK-28	H-2328	FRA-300-10	2	125	

The new SN 600 series is manufactured in GG25 material, according to DIN 737 standard. Its main innovation is that it allows to alternate the double lip seal assembly type DL, and seal TS. Lubrication is by grease.

BEARING ACCESSORIES

>>> Pillowblock housings

At www.rodavigo.net Family: Bearing accessories
Product: RHP housings

Bearing equivalence

RHP	INA	SKF (Europe)	SKF (N.America)	Fafnir	Morse (Sealmaster)	FYH	NTN	Koyo	NSK
NP	RASEY	SY-S SY-SD SY-L SY-LD	SY	RASEY RASC	NP NP-C	UCP200	UCP200	UCP200	UCP200
NP-A NP-EC	PASEY PASE	SY-CB SY-FJ SY-W	SYP SY-CB SYA-C	VAS VASE		SAP200	ASP200 AELP200	GARP100A	UBP200 ENP200
NP-DEC	RASE			RASE RAS TASE TAS		NAP200	UEL200	GAP1100B	EWP200
TASE	TASE								
NP1000-K SL	RAKY	SYB-L SYB-LD		RAKY RACK	S500MC S500M NPL-C SLC SLC-C	UKP200 SL200	UKP200 UCPL200	UKP200 SLP	UKP200 UCPLL200
SL-A SL-EC	PAKY PAK		SYHP SYHA-C SYH-CB SYH-X	VAK		SASL200F	ASPL200 AELPL200	GARAPL100A	
SL-DEC MP	RAK			RAK RAKH RAKHP	MP MP-C	NASL200 UCPX	UELPL200	GAPL1100B UCPX	EWPLL200 UCPX
SNP	RSHEY					UCPA200	UCPW200	UCPA200	UCPA200 UCPD200 UBPD200
SNP-A SNP-EC	PSHEY PSHE			PSHE VSHE RSHE			ASPW200 AELPW200		
SNP-DEC	RSHE						UEL200		EWP200 EWPA200
TSNP-DEC CNP	TSHE				TB TB-C				
SF	RCJY	FY-S FY-SD FY-L FY-LD	FY	RCJY RCJC RCJSP	SF SF-C	UCF200 UCF200E	UCF200	UCF200	UCF200
SF-A SF-EC	PCJY PCJ	FY-FJ FY-CB	FYP FY-CB FYA-C FY-X	PCJ VCJ		SAF-FE	ASF200 AELF200	GARAF100A	UBF200
SF-DEC	RCJ	FY-W		RCJ		NANF200	UEL200	GFF1100B	EFW200 EFWH200
TSF-DEC MSF	TCJ			TCJ RCJHP	MSF MSF-C	UCFX		UCFX	UCFX
MSF1000-K SFT	RCJTY	FYTB-L FYTB-LD FYTB-SD		RCJTY RCJTC RCJTP	SFT SFT-C	UKF200 UCFL200 UCFL200E	UKF200 UCFL200	UCFL200	UKF200 UCFL200
SFT-A SFT-EC	PCJTY PCJT	FYTB-CB FYTB-FJ FYTB-W	FYTP	PCJT VCJT RCJT RCJTE TCJT RCJTHP		SAF-FE	ASFL200 AELFL200	GARAFL100A	UBFL200 ENFL200
SFT-DEC	RCJT					NANFL200	UELFL200	GFFL1100B	EWFL200 EWFLH200
TSFT-DEC MSFT	TCJT				MSFT MSFT-C	UCFLX		UCFLX	UCFLX UKFL200 UBFD200
MSFT1000-K LFTC-A	GLCTEY FLCTEY FLCTE GLCTE	FYTF-FJ		FLCTE FLCT GFLCT GFLCTE RMNEY		UCFC200	UKFL200 ASFD200 ASFW200 AELFD200 AELFW200	UKFL200	EMFD200J ENFD200
LFTC-EC									
FC FC-A FC-EC FC-DEC TFC-DEC MFC	RMEY PMEY PME RME TME	FYGF-SD FYGF-FJ FYGE-W		VMNE RMNE TMNE RFC RFHP RTUP	MFC MFC-C	UCFC200	UCFC200 ASFC200 AELFC200 UELFC200	UCFC200	UCFC200 UBFC200 EWF200
ST	RTUEY	TU-S TU-SD TU-L TU-LD	TB		ST ST-C	UCT200	UCT200	UCT200 LV	UCT200
ST-A ST-EC	PTUEY PTUE	TU-FJ	TBP TB-CB TBA-C TB-X				AST200 AELT200		GEMTR200J
ST-DEC	RTUE	TU-W		RTUE RTU		NAT-E	UEL200		EWT200
TST-DEC MST	TTUE			RTUHP	MST MST-C	UCTX	UKT200	UCTX HV UKT200	UCTX
MST1000-K SLC SLC-DEC				RCC RC RCE	SC SC-C	UKT200	UKT200	LC	UKT200



>>> Pillowblock housings

Bearing equivalence

At www.rodavigo.net

Family: Bearing accessories
Product: RHP housings

RHP	INA	SKF (Europe)	SKF (N.America)	Fafnir	Morse (Sealmaster)	FYH	NTN	Koyo	NSK
MSC				RCHP	MSC				
SCHB				RHCM	MSC-C SCHB SCHB-C	UCHA200	UCHB	SCHB	UCEH200
SLFE	RRY	PF-L PF-LD		RRC	SSF SSF-C			PF00	
SLFE-A	RAY					SBPF200	ASPF200	PF00	UBPF200
SLFE-EC	RA	PF-FA PF-CA PF-FJ	PF PF-CA	RA		SAPF200	AELPF200	PF100A	ENPF200
SLFE-DEC	RR	PF-W						PF1000B	
SLFT	RRTRY	PFD-L PFD-LD			TSSF TSSF-C				
SLFT-A	RATRY								UBPFT200
SLFT-EC	RATR	PFD-CA PFD-FA PFD-FJ		RATR					EMPFT200
SLFT-DEC	RRTR	PFD-W		RRTR					
SLFL	RRTY	PFT-L PFT-LD		RRTC	SSFT SSFT-C				
SLFL-A	RATY					SBPFL200	ASPF200	PTF00	UBPFL200
SLFL-EC	RAT	PFT-FA PFT-CA PFT-FJ	PFT PFT-CA	RAT		SAPFL200	AELPF200	PTF100A	ENPFL200
SLFL-DEC	RRT	PFT-W		RRT				PTF1100B	
LPB	RBY	P-L P-LD	P		SSP SSP-C				
LPB-A	PBY					SAPP200F	ASPP200	SP00	UBPP200
LPB-EC	PB	P-FA P-CA P-FJ	SP P-CA P-C	PB		SBPP200F	AELPP200	SP100A	ENPP200
LPB-DEC	RB	P-W P-R-L			SRP SRP-C				
LPBR-EC	RPB	P-R-FA P-R-FJ P-R-CA	SRP P-R-E	RPB			AELRPP200		ENPR200
SRC-EC	RCSM		RP R-CA	RCSM					
1000G	GYE-KRRB GY-KRRB	479200 417200 413200	479200	GYE-KRRB GY-KRRB GC-KRRB	2-00 2-00C 3-00 3-00C 5200 5200C 5300 5300C	UC200 UCX	UC200	UC200 UCX	UC200 UCX
1200G	GAY-NPPB			GRA-NPPB		SB200	AS200	PB00	UB200
1200ECG	GRA-NPPB GRAE-NPPB	1732200 P38200BD-2SL	1732200 478200VSB	GRAE-NPPB GRA-RRB GRAE-RRB			AEL200	GARA100-2RSA	GEM200
1200EC	RA-NPPB RAE-NPPB	1736200 238200D-2LS	1736200 478200	RA-NPPB RAE-NPPB RA-RRB RAE-RRB		SA200		RA100	EN200 EM200
1000DECG	G-KRRB GE-KRRB	446200D	477200	G-KRRB GE-KRRB		NA200	UEL200	GA1100-2RSB	EW200
T1000DECG	GE-KPPB3			GE-KPPB3 G-KPPB3					
1000-KG						UK200 SAA200	UK200 AELS200	UK200	UK200
1300EC	RA-NPP RAE-NPP	1746200 1716200D-2LS	1746200	RA-NPP RAE-NPP RA-RR RAE-RR RAL-NPP					ENR200 EMR200
2300-EC	RAL-NPP RALE-NPP								
1100CG				CG-KRRG2	ER ER-C	ER200 UCS200N			
1726200-2RS1100	200NPPB YE-KRR Y-KRR	1726200-2RS1		200NPPB		SC200 RB200	CSSLU UCS200	CB200	CSDDU
1100DEC	E-KRR			1000KRR			UELS200		

BEARING ACCESSORIES

>>> Supports Pillowblock

Pedestal type housings



Flange type housings

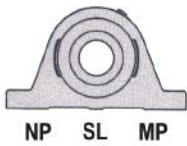


At www.rodavigo.net

Family: Bearing accessories
Product: RHP housings



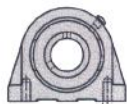
One-piece cast iron



NP SL MP

Product 241

Series	Hole measurement range
NP Normal loads (ISO)	12mm-65mm 1/2" - 2 1/2"
SL Low height to center	12mm-75mm 1/2" - 2 15/16"
MP Heavy loads	25mm-100mm 1" - 4"

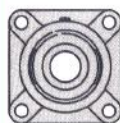


SNP CNP

Product 241

Series	Thread	Hole measurement range
SNP	Metric thread	20mm-45mm 3/4" - 1 3/4"
CNP	UNC thread	20mm-45mm 3/4" - 1 3/4"

One-piece cast iron



SF MSF

Product 241

Series	Hole measurement range
SF Normal loads (ISO)	12mm-75mm 1/2" - 2 15/16"
MSF Heavy loads	25mm-100mm 1" - 4"

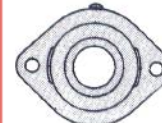


FC Series

Product 241

Series	Hole measurement range
FC Heavy loads, metric dowel	25mm-45mm 7/8" - 1 3/4"
MFC Heavy loads, inch dowel	25mm-100mm 1" - 4"

One-piece cast iron



SFT MSFT

Product 241

Series	Hole measurement range
SFT Normal loads (ISO)	12mm-60mm 1/2" - 2 7/16"
MSFT Heavy loads	25mm-55mm 1" - 2 3/16"



LFTC

Product 241

Series	Hole measurement range
LFTC Normal loads	12mm-35mm 1/2" - 1 7/16"

Inserts

With single lip seals



Product 241

With triple lip seals



Product 241

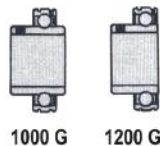
Protective



Product 241

With spherical outer ring and fixing by ISO standard captive screws.

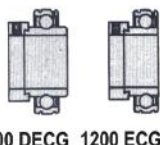
It is suitable in applications with all kinds of housing.



1000 G 1200 G

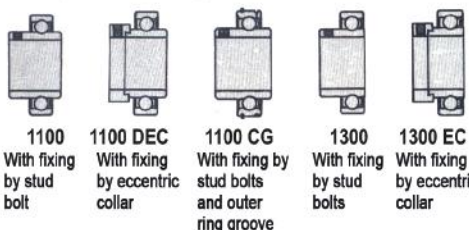
With spherical outer ring and eccentric fixing collar to ISO standard.

It is suitable in applications with all kinds of housing.



1000 DEC 1200 ECG

With parallel outer ring



1100 With fixing by stud bolt
1100 DEC With fixing by eccentric collar
1100 CG With fixing by stud bolts and outer ring groove
1300 With fixing by stud bolts
1300 EC With fixing by eccentric collar

Triple sealed

For applications with a high degree of contamination and speeds not exceeding 500 rpm.



Inserts

1000 series triple sealed inserts and 1000 DEC are available in bearings of groups 1025, 1035, 1040, 1050, 1055. Can be mounted inside the designated housings, with the prefix "T".
example: T1040-40 = insert only
example: TNP40 = complete set



Square, round and hexagonal

These types of triple sealing are normally used in disc grades and other applications. Equivalents are supplied to all popular sizes.

Self-Lube Protector

The Self-lube protector has been designed in order to protect the operator against the rotating shaft ends risks. The protector also protects bearing from contamination.

The protector is made of mild steel coated with enamel, it is durable and attractive in appearance. There is no use temperature limit.

The protector is easy to attach with a secure seal on all Self-lube housing sets. It is difficult to disassemble itself. Can be removed without breakage or deformation thus allowing to be repeatedly placed. No bearing needed, neither special fixing devices.



>>> Pillowblock housings

Tensioner type housings

At www.rodavigo.net Family: Bearing accessories
Product: RHP housings



UCT

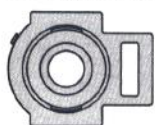
Other sets



Stamped steel housings



One-piece cast iron



ST MST

Product 241

Tensioner type housings

Series		Hole measurement range
ST	Normal loads	20mm-85mm 3/4" - 3 7/16"
MST	Heavy loads	25mm-100mm 1"-4"

One-piece cast iron



SLC MSC

Product 241

Cartridge type housings

Series		Hole measurement range
SLC	Normal loads	12mm-60mm 1/2" - 2 1/2"
MSC	Heavy loads	25mm-100mm 1"-4"

Two-piece stamped steel plate, zinc plated



SLFE



SLFT



SLFL

Product 241

Series			
SLFE	Light loads	(ISO)	12mm-60mm 1/2" - 2 7/16"
SLFT	Light loads	(ISO)	25mm-35mm 7/8" - 1 7/16"
SLFL	Light loads	(ISO)	12mm-35mm 1/2" - 1 7/16"



BT

Product 241



BTH/BTHF

Series		
BT		25mm-35mm 7/8" - 1 7/16"
BTH	Belt conveyors without casing	
BTHF	Belt conveyors without casing	



SCHB SCH

Product 241

Screw heads

Series		
SCHB	Normal loads	20mm-80mm 3/4" - 3 3/16"
SCH	Normal loads	20mm-80mm 3/4" - 3 3/16"



LPB LPBR

Product 241

Series			
LPB	Light loads	(ISO)	12mm-35mm 1/2" - 1 7/16"
LPBR	Light loads		12mm-30mm 1/2" - 1 1/4"

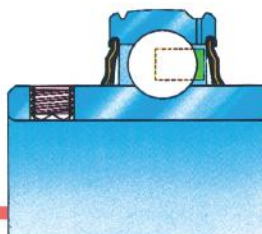
The LPBR series has a rubber seat collar between the insert and the bracket and is suitable in applications with vibrations or noise problems.

Fixing screws



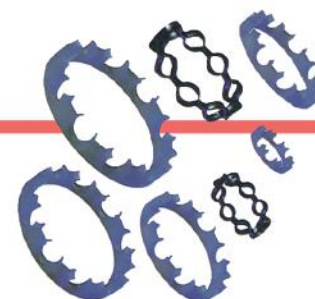
Product 241

Oil seals



Product 241

Cages



Product 241

By captive screws

This fixing system consists of two knurled pointed allen studs, mounted along the inner ring and fixed to the shaft.



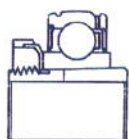
By eccentric collar

This system is often used when there are vibration problems. Consists of an eccentric diameter formed in the long part of the inner ring of the bearing, which fits with the diameter of a separate eccentric collar. The collar is then attached to the shaft with a knurled pointed allen stud.



By conical sleeve

This fixing system consists of a standard sleeve with its nut and washer (H-300 series) and is recommended when a concentric fixation is needed, when there are very strong vibrations or intermittent loads occur.

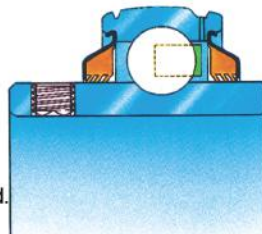


Single lip

This standard bearing sealing system has been successfully tested through the years in a wide variety of applications. Consists of a nitrile and fabric retainer sandwiched between two metal plates that are tightly wedged into the outer ring making a very tight seal set.

Triple lip

For applications with a high degree of contamination a triple lip seal is recommended. Consists of a one-piece molded nitrile seal with three sealing lips, fitted inside a base sheet metal protection, which is strongly embedded on the outer ring, making a highly effective sealing set. Not recommended for speeds above 500 rpm.



Nylon cage

RHP mounts as standard a Nylon 66 high density cage in one piece. The performance of this cage has been tested in an extensive variety of applications for years. Its temperature limit is between -20°C and +90°C

Steel cage

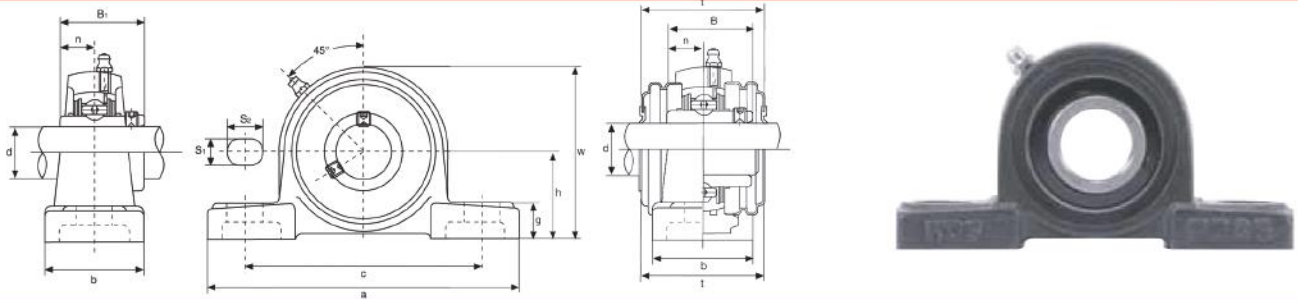
Steel cages are used for both high and low temperature bearings along with silicone greases.

BEARING ACCESSORIES

>>> Housings

At www.rodavigo.net Family: Bearing accessories
Product: Bearing housings

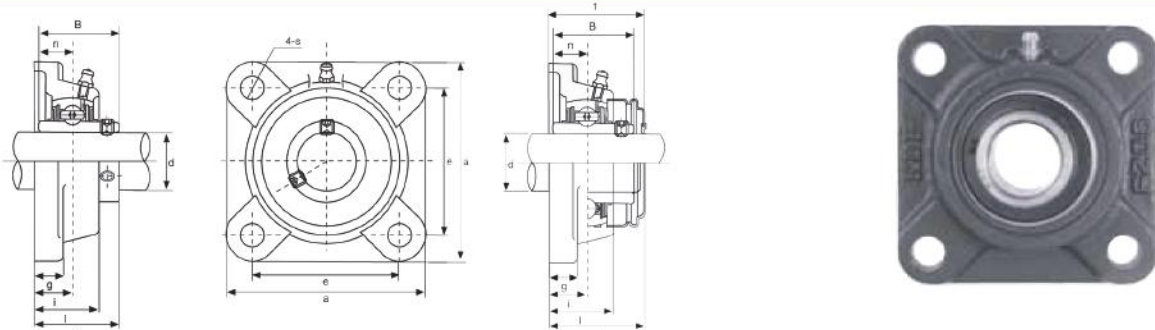
UCP type housings



Code	Dimensions		a	e	b	S ₁	S ₂	g	w	t	B	n	M	L.Dyamic	L.Static	Bearing	Housing	Weight
	d	h																
246UCP201	12	30.2	127	95	38	13	19	14	62	44.5	31	12.7	M10	12 200	6 350	UC201	P203	0.69
246UCP202	15	30.2	127	95	38	13	19	14	62	44.5	31	12.7	M10	12 200	6 350	UC202	P203	0.69
246UCP203	17	30.2	127	95	38	13	19	14	62	44.5	31	12.7	M10	12 200	6 350	UC203	P203	0.68
246UCP204	20	33.3	127	95	38	13	19	14	65	44.5	31	12.7	M10	12 200	6 350	UC204	P204	0.66
246UCP205	25	36.5	140	105	38	13	19	15	71	48	34.1	14.3	M10	13 300	7 500	UC205	P205	0.81
246UCP206	30	42.9	165	121	48	17	20	17	84	53	38.1	15.9	M14	18 600	10 800	UC206	P206	1.24
246UCP207	35	47.6	167	127	48	17	20	18	93	59.5	42.9	17.5	M14	24 500	14 600	UC207	P207	1.58
246UCP208	40	49.2	184	137	54	17	20	18	100	69	49.2	19	M14	27 700	17 000	UC208	P208	1.89
246UCP209	45	54.0	190	146	54	17	20	20	106	69	49.2	19	M14	31 000	19 500	UC209	P209	2.14
246UCP210	50	57.2	206	159	60	20	23	21	113	74.5	51.6	19	M16	33 500	22 500	UC210	P210	2.66
246UCP211	55	63.5	219	171	60	20	23	23	125	76	55.6	22.2	M16	41 500	28 000	UC211	P211	3.31
246UCP212	60	69.8	241	184	70	20	23	25	138	89	65.1	25.4	M16	50 000	34 500	UC212	P212	4.90
246UCP213	65	76.2	265	203	70	25	28	27	150	89	65.1	25.4	M20	54 700	38 000	UC213	P213	5.15
246UCP214	70	79.4	266	210	72	25	28	27	156	-	74.6	30.2	M20	59 000	42 000	UC214	P214	6.20
246UCP215	75	82.6	275	217	74	25	28	28	162	-	77.8	33.3	M20	63 000	47 000	UC215	P215	7.16
246UCP216	80	88.9	292	232	78	25	28	30	174	-	82.6	33.3	M20	69 000	51 000	UC216	P216	8.10
246UCP217	85	95.2	310	247	83	25	28	32	185	-	85.7	34.1	M20	80 000	61 000	UC217	P217	9.81
246UCP218	90	101.6	327	262	88	27	30	33	198	-	96	39.7	M22	91 200	68 000	UC218	P218	11.96

* Possibility of supplying housing and bearing in stainless steel

UCF type housings



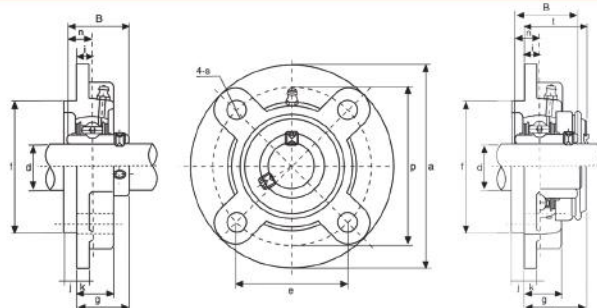
Code	Dimensions		e	i	g	l	s	z	t	B	n	M	L.Dyamic	L.Static	Bearing	Housing	Weight
	d	a															
246UCF201	12	86	64	15	12	25.5	12	33.3	37.5	31	12.7	M10	12 200	6 350	UC201	F204	0.60
246UCF202	15	86	64	15	12	25.5	12	33.3	37.5	31	12.7	M10	12 200	6 350	UC202	F204	0.59
246UCF203	17	86	64	15	12	25.5	12	33.3	37.5	31	12.7	M10	12 200	6 350	UC203	F204	0.58
246UCF204	20	86	64	15	12	25.5	12	33.3	37.5	31	12.7	M10	12 200	6 350	UC204	F204	0.56
246UCF205	25	95	70	16	14	27	12	35.8	40	34.1	14.3	M10	13 300	7 500	UC205	F205	0.80
246UCF206	30	108	83	18	14	31	12	40.2	44.5	38.1	15.9	M10	18 600	10 800	UC206	F206	1.12
246UCF207	35	117	92	19	16	34	14	44.4	48.5	42.9	17.5	M12	24 500	14 600	UC207	F207	1.46
246UCF208	40	130	102	21	16	36	16	51.2	55.5	49.2	19	M14	27 700	17 000	UC208	F208	1.84
246UCF209	45	137	105	22	18	38	16	52.2	56.5	49.2	19	M14	31 000	19 500	UC209	F209	2.15
246UCF210	50	143	111	22	18	40	16	54.6	59.5	51.6	19	M14	33 500	22 500	UC210	F210	2.42
246UCF211	55	162	130	25	20	43	19	58.4	63	55.6	22.2	M16	41 500	28 000	UC211	F211	3.31
246UCF212	60	175	143	29	20	48	19	68.7	73.5	65.1	25.4	M16	50 000	34 500	UC212	F212	4.28
246UCF213	65	187	149	30	22	50	19	69.7	74.5	65.1	25.4	M16	54 700	38 000	UC213	F213	4.99
246UCF214	70	193	152	31	22	54	19	75.4	-	74.6	30.2	M16	59 000	42 000	UC214	F214	5.85
246UCF215	75	200	159	34	22	56	19	78.5	-	77.8	33.3	M16	63 000	47 000	UC215	F215	6.91
246UCF216	80	208	165	34	22	58	23	83.3	-	82.6	33.3	M20	69 000	51 000	UC216	F216	7.50
246UCF217	85	220	175	36	24	63	23	87.6	-	85.7	34.1	M20	80 000	61 000	UC217	F217	9.66
246UCF218	90	235	187	40	24	68	23	96.3	-	96	39.7	M20	91 200	68 000	UC218	F218	12.06

* Possibility of supplying housing and bearing in stainless steel

>>> **Housings**

UCFC type housings

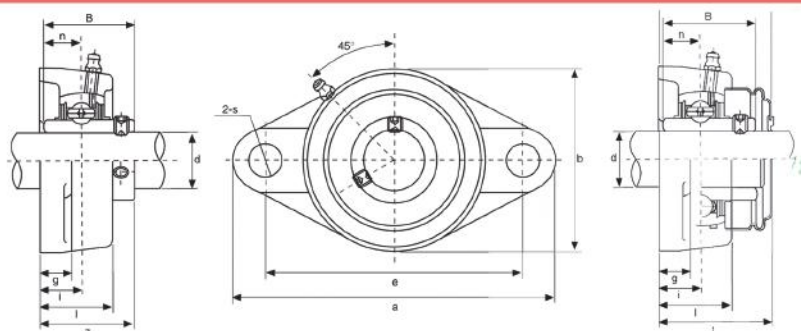
At www.rodavigo.net Family: Bearing accessories
Product: Bearing housings



Code	Dimensions		d	a	p	e	i	s	j	k	g	f	z	t	B	n	M	L.Dyamic	L.Static	Bearing	Housing	Weight
246UCFC201	12	100	78	55.1	10	12	5	7	20.5	62	28.3	32.5	31	12.7	M10	12 200	6 350	UC201	FC204	0.73		
246UCFC202	15	100	78	55.1	10	12	5	7	20.5	62	28.3	32.5	31	12.7	M10	12 200	6 350	UC202	FC204	0.72		
246UCFC203	17	100	78	55.1	10	12	5	7	20.5	62	28.3	32.5	31	12.7	M10	12 200	6 350	UC203	FC204	0.71		
246UCFC204	20	100	78	55.1	10	12	5	7	20.5	62	28.3	32.5	31	12.7	M10	12 200	6 350	UC204	FC204	0.69		
246UCFC205	25	115	90	63.6	10	12	6	7	21	70	29.8	34	34.1	14.3	M10	13 300	7 500	UC205	FC205	1.00		
246UCFC206	30	125	100	70.7	10	12	8	8	23	80	32.2	36.5	38.1	15.9	M10	18 600	10 800	UC206	FC206	1.30		
246UCFC207	35	135	110	77.8	11	14	8	9	26	90	36.4	41	42.9	17.5	M12	24 500	14 600	UC207	FC207	1.81		
246UCFC208	40	145	120	84.8	11	14	10	9	26	100	41.2	45.5	49.2	19	M12	27 700	17 000	UC208	FC208	2.14		
246UCFC209	45	160	132	93.3	10	16	12	14	26	105	40.2	44.5	49.2	19	M14	31 000	19 500	UC209	FC209	2.68		
246UCFC210	50	165	138	97.6	10	16	12	14	28	110	42.6	47.5	51.6	19	M14	33 500	22 500	UC210	FC210	2.90		
246UCFC211	55	185	150	106.1	13	19	12	15	31	125	46.4	51	55.6	22.2	M16	41 500	28 000	UC211	FC211	4.01		
246UCFC212	60	195	160	113.1	17	19	12	15	36	135	56.7	61.5	65.1	25.4	M16	50 000	34 500	UC212	FC212	4.94		
246UCFC213	65	205	170	120.2	16	19	14	15	36	145	55.7	60.5	65.1	25.4	M16	54 700	38 000	UC213	FC213	5.65		
246UCFC214	70	215	177	125.1	17	19	14	18	40	150	61.4	-	74.6	30.2	M16	59 000	42 000	UC214	FC214	6.95		
246UCFC215	75	220	184	130.1	18	19	16	18	40	160	62.5	-	77.8	33.3	M16	63 000	47 000	UC215	FC215	7.56		
246UCFC216	80	240	200	141.4	18	23	16	18	42	170	67.3	-	82.6	33.3	M20	69 000	51 000	UC216	FC216	9.15		
246UCFC217	85	250	208	147.1	18	23	18	20	45	180	69.6	-	85.7	34.1	M20	80 000	61 000	UC217	FC217	10.81		
246UCFC218	90	265	220	155.5	22	23	18	20	50	190	78.3	-	96	39.7	M20	91 200	68 000	UC218	FC218	12.96		

* Possibility of supplying housing and bearing in stainless steel

UCFL type housings



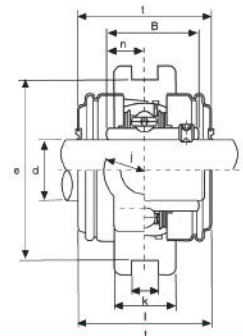
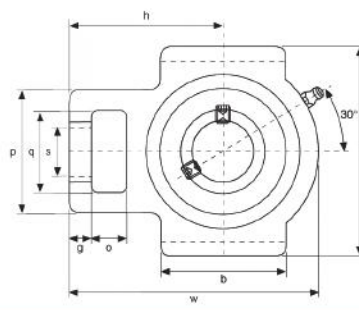
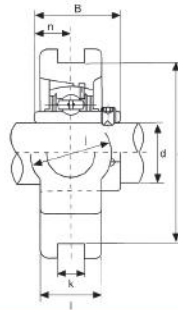
Code	Dimensions		d	a	e	i	g	l	s	b	z	t	B	n	M	L.Dyamic	L.Static	Bearing	Housing	Weight
246UCFL201	12	113	90	15	11	25.5	12	60	33.3	37.5	31	12.7	M10	12 200	6 350	UC201	FL204	0.45		
246UCFL202	15	113	90	15	11	25.5	12	60	33.3	37.5	31	12.7	M10	12 200	6 350	UC202	FL204	0.44		
246UCFL203	17	113	90	15	11	25.5	12	60	33.3	37.5	31	12.7	M10	12 200	6 350	UC203	FL204	0.43		
246UCFL204	20	113	90	15	11	25.5	12	60	33.3	37.5	31	12.7	M10	12 200	6 350	UC204	FL204	0.41		
246UCFL205	25	130	99	16	13	27	16	68	35.8	40	34.1	14.3	M14	13 300	7 500	UC205	FL205	0.58		
246UCFL206	30	148	117	18	13	31	16	80	40.2	44.5	38.1	15.9	M14	18 600	10 800	UC206	FL206	0.86		
246UCFL207	35	161	130	19	14	34	16	90	44.4	48.5	42.9	17.5	M14	24 500	14 600	UC207	FL207	1.08		
246UCFL208	40	175	144	21	14	36	16	100	51.2	55.5	49.2	19	M14	27 700	17 000	UC208	FL208	1.44		
246UCFL209	45	188	148	22	15	38	19	108	52.2	56.5	49.2	19	M16	31 000	19 500	UC209	FL209	1.74		
246UCFL210	50	197	157	22	15	40	19	115	54.6	59.5	51.6	19	M16	33 500	22 500	UC210	FL210	2.10		
246UCFL211	55	224	184	25	18	43	19	130	58.4	63	55.6	22.2	M16	41 500	28 000	UC211	FL211	2.91		
246UCFL212	60	250	202	29	18	48	23	140	68.7	73.5	65.1	25.4	M20	50 000	34 500	UC212	FL212	3.74		
246UCFL213	65	258	210	30	22	50	23	155	69.7	74.5	65.1	25.4	M20	54 700	38 000	UC213	FL213	4.57		
246UCFL214	70	265	216	31	22	54	23	160	75.4	-	74.6	30.2	M20	59 000	42 000	UC214	FL214	5.11		
246UCFL215	75	275	225	34	22	56	23	165	78.5	-	77.8	33.3	M20	63 000	47 000	UC215	FL215	5.37		
246UCFL216	80	290	233	34	22	58	25	180	83.3	-	82.6	33.3	M22	69 000	51 000	UC216	FL216	7.20		
246UCFL217	85	305	248	36	24	63	25	190	87.6	-	85.7	34.1	M22	80 000	61 000	UC217	FL217	8.61		
246UCFL218	90	320	265	40	24	68	25	205	96.3	-	96	39.7	M22	91 200	68 000	UC218	FL218	10.51		

* Possibility of supplying housing and bearing in stainless steel

>>> Housings

At www.rodavigo.net Family: Bearing accessories
Product: Bearing housings

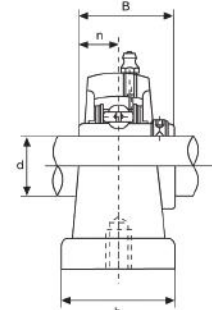
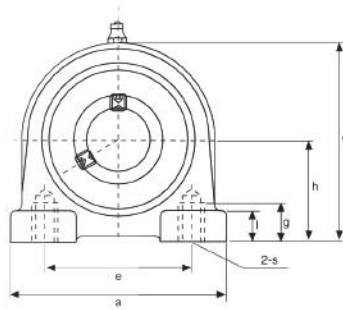
UCT type housings



Code	Dimensions																C _D Dynamic	C _S Static	Bearing	Housing	Weight	
	d	o	g	p	q	s	b	k	e	a	w	j	l	h	t	B						n
246UCT201	12	16	10	51	32	19	51	12	76	89	94	32	24	61	44.5	31	12.7	12 200	6 350	UC201	T204	0.80
246UCT202	15	16	10	51	32	19	51	12	76	89	94	32	24	61	44.5	31	12.7	12 200	6 350	UC202	T204	0.79
246UCT203	17	16	10	51	32	19	51	12	76	89	94	32	24	61	44.5	31	12.7	12 200	6 350	UC203	T204	0.78
246UCT204	20	16	10	51	32	19	51	12	76	89	94	32	24	61	44.5	31	12.7	12 200	6 350	UC204	T204	0.76
246UCT205	25	16	10	51	32	19	51	12	76	89	97	32	24	62	48	34.1	14.3	13 300	7 500	UC205	T205	0.81
246UCT206	30	16	10	56	37	22	57	12	89	102	113	37	28	70	53	38.1	15.9	18 600	10 800	UC206	T206	1.22
246UCT207	35	16	13	64	37	22	64	12	89	102	129	37	30	78	59.5	42.9	17.5	24 500	14 600	UC207	T207	1.44
246UCT208	40	19	16	83	49	29	83	16	102	114	144	49	35	89	69	49.2	19	27 700	17 000	UC208	T208	2.40
246UCT209	45	19	16	83	49	29	83	16	102	117	144	49	35	87	69	49.2	19	31 000	19 500	UC209	T209	2.36
246UCT210	50	19	16	83	49	29	86	16	102	117	149	49	35	90	74.5	51.6	19	33 500	22 500	UC210	T210	2.43
246UCT211	55	25	19	102	64	35	95	22	130	146	171	64	41	106	76	55.6	22.2	41 500	28 000	UC211	T211	4.11
246UCT212	60	32	19	102	64	35	102	22	130	146	194	64	46	119	89	65.1	25.4	50 000	34 500	UC212	T212	4.97
246UCT213	65	32	21	111	70	41	121	26	151	167	224	70	51	137	89	65.1	25.4	54 700	38 000	UC213	T213	6.65
246UCT214	70	32	21	111	70	41	121	26	151	167	224	70	46	137	-	74.6	30.2	59 000	42 000	UC214	T214	7.05
246UCT215	75	32	21	111	70	41	121	26	151	167	232	70	48	140	-	77.8	33.3	63 000	47 000	UC215	T215	7.41
246UCT216	80	32	21	111	70	41	121	26	165	184	235	70	51	140	-	82.6	33.3	69 000	51 000	UC216	T216	8.30
246UCT217	85	38	29	124	73	48	157	30	173	189	260	73	54	162	-	85.7	34.1	80 000	61 000	UC217	T217	11.00

* Possibility of supplying housing and bearing in stainless steel

UCPA2 type housings



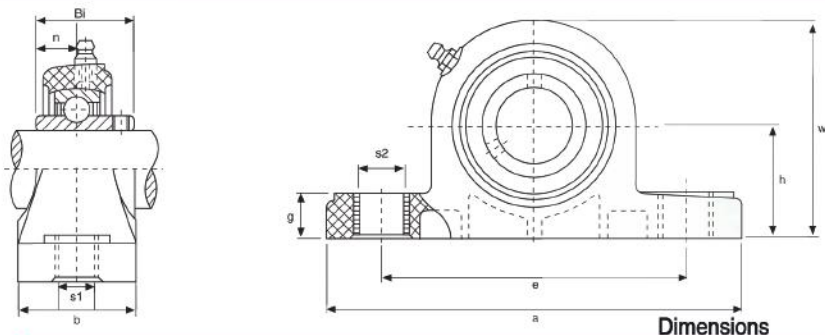
Code	Dimensions											C _D Dynamic	C _S Static	Bearing	Housing	Weight
	d	h	a	e	b	S	l	w	B	n	M					
246UCPA201	12	30,2	76	52	40	15	11	62	31	12,7	M10	12 200	6 350	UC201	PA204	0.60
246UCPA202	15	30,2	76	52	40	15	11	62	31	12,7	M10	12 200	6 350	UC202	PA204	0.59
246UCPA203	17	30,2	76	52	40	15	11	62	31	12,7	M10	12 200	6 350	UC203	PA204	0.58
246UCPA204	20	30,2	76	52	40	15	11	62	31	12,7	M10	12 200	6 350	UC204	PA204	0.56
246UCPA205	25	36,5	84	56	38	15	12	72	34,1	14,3	M10	13 300	7 500	UC205	PA205	0.83
246UCPA206	30	42,9	94	66	50	18	12	84	38,1	15,9	M14	18 600	10 800	UC206	PA206	1,12
246UCPA207	35	47,6	110	80	55	20	13	95	42,9	17,5	M14	24 500	14 600	UC207	PA207	1,48
246UCPA208	40	49,2	116	84	58	20	13	100	49,2	19	M14	27 700	17 000	UC208	PA208	1,89
246UCPA209	45	54,2	120	90	60	25	13	108	49,2	19	M14	31 000	19 500	UC209	PA209	1,98
246UCPA210	50	57,2	130	94	64	25	14	116	51,6	19	M16	33 500	22 500	UC210	PA210	2,16
246UCPA211	55	63,5	140	104	66	25	14	125	55,6	22,2	M16	41 500	28 000	UC211	PA211	3,26
246UCPA212	60	69,9	150	114	68	25	15	138	65,1	25,4	M16	50 000	34 500	UC212	PA212	4,19
246UCPA213	65	76,2	160	124	70	25	15	150	65,1	25,4	M16	54 700	38 000	UC213	PA213	-

* Possibility of supplying housing and bearing in stainless steel

>>> Plastic housings

UCP type housings

At www.rodavigo.net Family: Bearing accessories
Product: Bearing housings

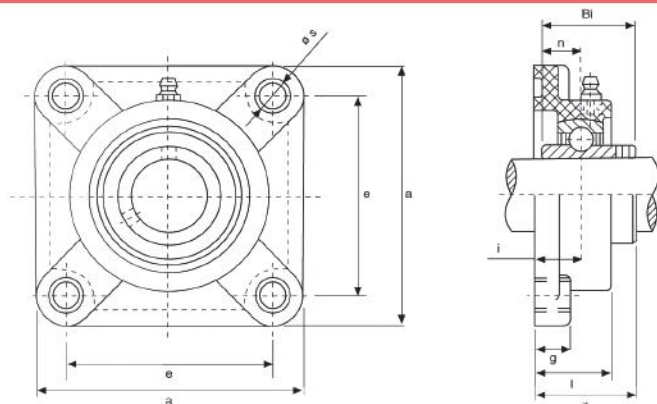


Dimensions

Code	shaft diameter (mm)	a	h	e	b	s1	s2	g	w	BI	n	Kg	M	Torque (Nm)
246UCP201P	12	127	33,3	95	38	11	14	14,2	65	31	12,7	0,12	M10	18
246UCP202P	15	127	33,3	95	38	11	14	14,2	65	31	12,7	0,12	M10	18
246UCP203P	17	127	33,3	95	38	11	14	14,2	65	31	12,7	0,12	M10	18
246UCP204P	20	127	33,3	95	38	11	14	14,2	65,5	31	12,7	0,12	M10	18
246UCP205P	25	140,5	36,5	105	38	11	14	14,5	71	34	14,3	0,14	M10	25
246UCP206P	30	163	42,9	119	46	14	18	17,8	84	38,1	15,9	0,20	M12	30
246UCP207P	35	168	47,6	127	48	14	18	18	94,5	42,9	17,5	0,25	M12	35
246UCP208P	40	184	49,2	137	54	14	18	19,5	99	49,2	19	0,35	M12	45
246UCP209P	45	192	54	146	54	17	20	23	106	49,2	19	0,45	M16	50
246UCP210P	50	206	57,2	159	60	17	20	23	114	51,6	19	0,55	M16	55

* Possibility of supply in white colour

UCF type housings



Dimensions

Code	shaft diameter (mm)	a	e	g	l	s	z	i	BI	n	Kg	M	Torque (Nm)
246UCF201P	12	86	63,5	13,4	27,8	11	36,3	18	31	12,7	0,12	M10	18
246UCF202P	15	86	63,5	13,4	27,8	11	36,3	18	31	12,7	0,12	M10	18
246UCF203P	17	86	63,5	13,4	27,8	11	36,3	18	31	12,7	0,12	M10	18
246UCF204P	20	86	63,5	13,4	27,8	11	36,3	18	31	12,7	0,12	M10	18
246UCF205P	25	95	70	14	28	11	36,7	17	34	14,3	0,15	M10	25
246UCF206P	30	107	83	14,3	31,5	11	41,4	19,2	38,1	15,9	0,18	M10	30
246UCF207P	35	118	92	15,5	34,8	13	46,9	21,5	42,9	17,5	0,26	M12	35
246UCF208P	40	130	102	17	37,5	14	53,2	23	49,2	19	0,33	M12	40
246UCF209P	45	137	105	19	41	17	54,2	24	49,2	19	0,42	M16	45
246UCF210P	50	143	111	21	43	17	57,6	25	51,6	19	0,51	M16	50

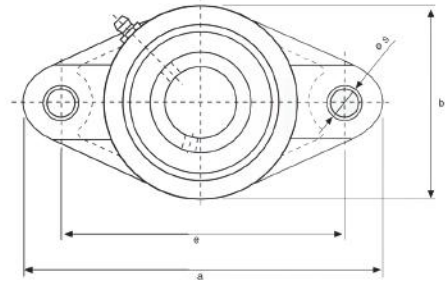
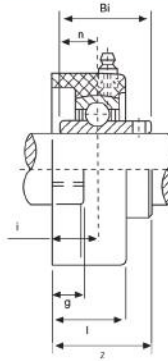
* Possibility of supply in white colour

>>> Plastic housings

At www.rodavigo.net

Family: Bearing accessories
Product: Bearing housings

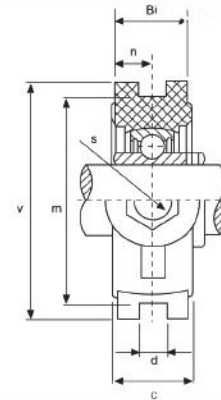
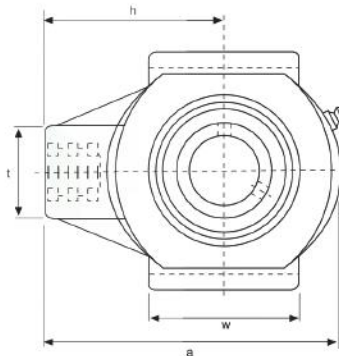
UCFL type housings



Code	shaft diameter (mm)	Dimensions										Kg	M	Torque (Nm)
		a	e	b	g	l	s	z	i	Bi	n			
246UCFL201P	12	113	90	64	11,4	26,5	11	33,7	15,4	31	12,7	0,08	M10	18
246UCFL202P	15	113	90	64	11,4	26,5	11	33,7	15,4	31	12,7	0,08	M10	18
246UCFL203P	17	113	90	64	11,4	26,5	11	33,7	15,4	31	12,7	0,08	M10	18
246UCFL204P	20	113	90	64	11,4	26,5	11	33,7	15,4	31	12,7	0,08	M10	18
246UCFL205P	25	131	99	69,5	13,5	29,1	11	36,7	17	34	14,3	0,10	M10	25
246UCFL206P	30	148	117	80	13,3	30,5	11	41,2	19	38,1	15,9	0,13	M10	30
246UCFL207P	35	164	130	90	16,1	32,8	13	43,4	18	42,9	17,5	0,16	M12	35
246UCFL208P	40	176	144	100	20	37,5	14	51,7	21,5	49,2	19	0,24	M12	40
246UCFL209P	45	188	148	108	21	41	17	54,2	24	49,2	19	0,32	M16	45
246UCFL210P	50	197	157	115	21	43	17	57,6	25	51,6	19	0,42	M16	50

* Possibility of supply in white colour

UCT type housings



Code	shaft diameter (mm)	Dimensions										Kg	M
		a	c	d	h	m	t	v	w	Bi	n		
246UCT201P	12	99	27,5	12	64	76	35	88	47	31	12,7	0,16	M16
246UCT202P	15	99	27,5	12	64	76	35	88	47	31	12,7	0,16	M16
246UCT203P	17	99	27,5	12	64	76	35	88	47	31	12,7	0,16	M16
246UCT204P	20	99	27,5	12	64	76	35	88	47	31	12,7	0,16	M16
246UCT205P	25	99	27,5	12	64	76	35	88	47	34	14,3	0,17	M16
246UCT206P	30	125	34,5	12	76	89	40	102	63	38,1	15,9	0,22	M16
246UCT207P	35	125	34,5	12	76	9	40	102	63	42,9	17,5	0,26	M16
246UCT208P	40	140	38,5	16	85	102	46	114	80	49,2	19	0,38	M16
246UCT209P	45	149	40	16	90	102	50	117	85	49,2	19	0,48	M20
246UCT210P	50	149	40	16	90	102	50	117	85	51,6	19	0,52	M20

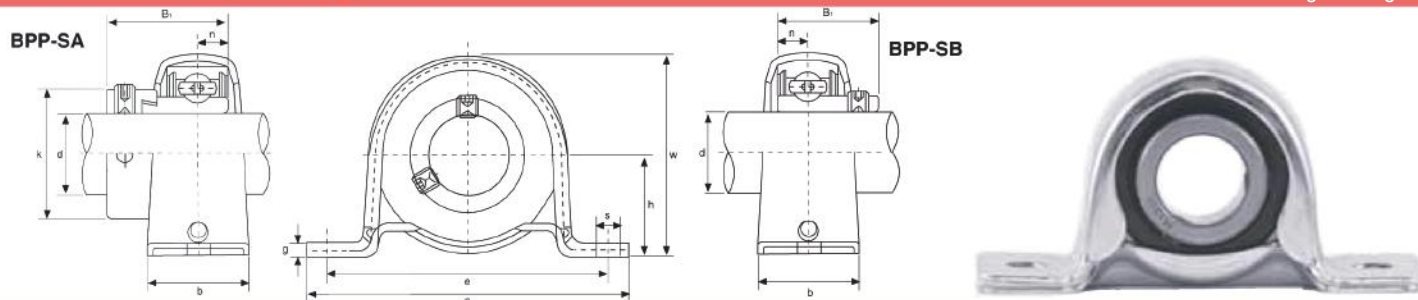
* Possibility of supply in white colour



>>> **Stainless steel housings**

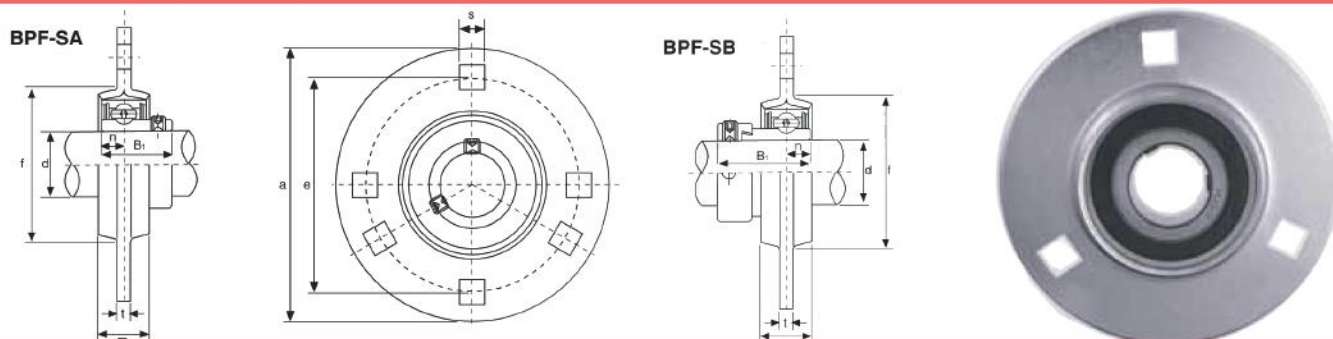
BPP-SA and BPP-SB type housings

At www.rodavigo.net Family: Bearing accessories
Product: Bearing housings



Code	Dimensions											n	Bearing	Kg	B ₁	n	Bearing	kg	Support	L.Dynam.	L.Stat.
	d	h	a	e	b	s	g	w	M	B ₁											
246BPP201SA 246BPP201SB	12	22,2	86	68	25	9,5	3,2	43,8	M8	28,6	6,5	SA201	0,19	22	6	SB201	0,19	PP203	9 200	4 480	
246BPP202SA 246BPP202SB	15	22,2	86	68	25	9,5	3,2	43,8	M8	28,6	6,5	SA202	0,19	22	6	SB202	0,19	PP203	9 200	4 480	
246BPP203SA 246BPP203SB	17	22,2	86	68	25	9,5	3,2	43,8	M8	28,6	6,5	SA203	0,19	22	6	SB203	0,19	PP203	9 200	4 480	
246BPP204SA 246BPP204SB	20	25,4	98	76	32	9,5	3,2	50,5	M8	31	7,5	SA204	0,23	25	7	SB204	0,23	PP204	12 200	6 300	
246BPP205SA 246BPP205SB	25	28,6	108	86	32	11,5	4	56,6	M10	31	7,5	SA205	0,32	27	7,5	SB205	0,28	PP205	13 300	7 460	
246BPP206SA 246BPP206SB	30	33,3	117	95	38	11,5	4	66,3	M10	35,7	9	SA206	0,50	30	8	SB206	0,47	PP206	18 500	10 800	
246BPP207SA 246BPP207SB	35	39,7	129	106	42	11,5	4,6	78	M10	38,9	9,5	SA207	0,71	32	8,5	SB207	0,57	PP207	24 500	14 600	

BPF-SA and BPF-SB type housings



Code	Dimensions											n	Bearing	Kg	B ₁	n	Bearing	kg	Support	L.Dynam.	L.Stat.
	d	a	e	m	s	t	f(min)	M	B ₁												
246BPF201SA 246BPF201SB	12	81	63,5	14	7,1	4	49	M6	28,6	6,5	SA201	0,3	22	6	SB201	0,27	PF203	9 200	4 480		
246BPF202SA 246BPF202SB	15	81	63,5	14	7,1	4	49	M6	28,6	6,5	SA202	0,3	22	6	SB202	0,27	PF203	9 200	4 480		
246BPF203SA 246BPF203SB	17	81	63,5	14	7,1	4	49	M6	28,6	6,5	SA203	0,3	22	6	SB203	0,27	PF203	9 200	4 480		
246BPF204SA 246BPF204SB	20	90	71,5	16	9	4	56	M8	31	7,5	SA204	0,33	25	7	SB204	0,33	PF204	12 200	6 300		
246BPF205SA 246BPF205SB	25	95	76	18	9	4	60	M8	31	7,5	SA205	0,42	27	7,5	SB205	0,38	PF205	13 300	7 460		
246BPF206SA 246BPF206SB	30	113	90,5	18	11	5,2	71	M10	35,7	9	SA206	0,65	30	8	SB206	0,62	PF206	18 500	10 800		
246BPF207SA 246BPF207SB	35	122	100	20	11	5,2	81	M10	38,9	9,5	SA207	0,9	32	8,5	SB207	0,82	PF207	24 500	14 600		
246BPF208SA 246BPF208SB	40	148	119	21	13,5	6,8	91	M12	43,7	11	SA208	1,15	34	9	SB208	1,1	PF208	27 700	17 000		

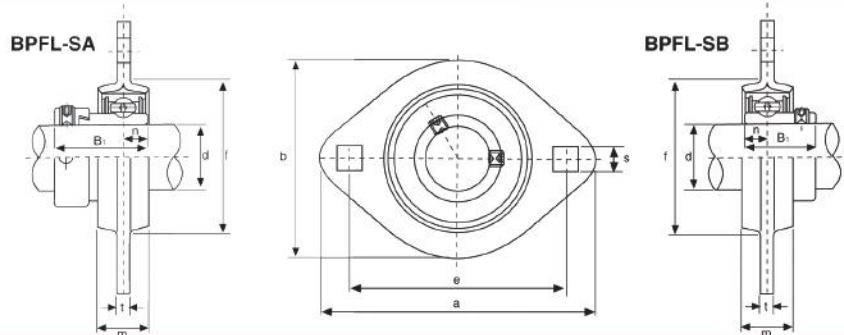
BEARING ACCESSORIES

>>> Stainless steel housings

At www.rodavigo.net

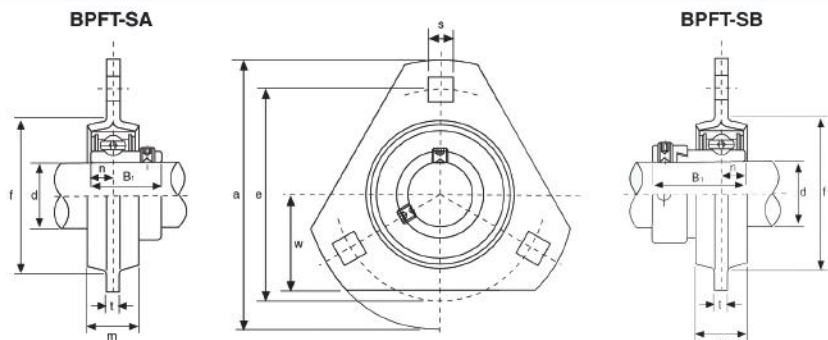
Family: Bearing accessories
Product: Bearing housings

BPFL-SA and BPFL-SB type housings



Code	Dimensions										M	B ₁	n	Bearing	Kg	B ₁	n	Bearing	kg	Support	L.Dynam.	L.Stat.
	d	a	e	b	m	s	t	f(min)														
246BPFL201SA 246BPFL201SB	12	81	63,5	59	14	7,1	4	49	M6	28,6	6,5	SA201	0,22	22	6	SB201	0,19	PFL203	9 200	4 480		
246BPFL202SA 246BPFL202SB	15	81	63,5	59	14	7,1	4	49	M6	28,6	6,5	SA202	0,22	22	6	SB202	0,19	PFL203	9 200	4 480		
246BPFL203SA 246BPFL203SB	17	81	63,5	59	14	7,1	4	49	M6	28,6	6,5	SA203	0,22	22	6	SB203	0,19	PFL203	9 200	4 480		
246BPFL204SA 246BPFL204SB	20	90	71,5	67	16	9	4	56	M8	31	7,5	SA204	0,24	25	7	SB204	0,24	PFL204	12 200	6 300		
246BPFL205SA 246BPFL205SB	25	95	76	71	18	9	4	60	M8	31	7,5	SA205	0,32	27	7,5	SB205	0,28	PFL205	13 300	7 460		
246BPFL206SA 246BPFL206SB	30	113	90,5	84	18	11	5,2	71	M10	35,7	9	SA206	0,41	30	8	SB206	0,38	PFL206	18 500	10 800		
246BPFL207SA 246BPFL207SB	35	122	100	94	20	11	5,2	81	M10	38,9	9,5	SA207	0,52	32	8,5	SB207	0,50	PFL207	24 500	14 600		
246BPFL208SA 246BPFL208SB	40	148	119	100	21	13,5	6,8	91	M12	43,7	11	SA208	0,83	34	9	SB208	0,80	PFL208	27 700	17 000		

BPFT-SA and BPFT-SB type housings



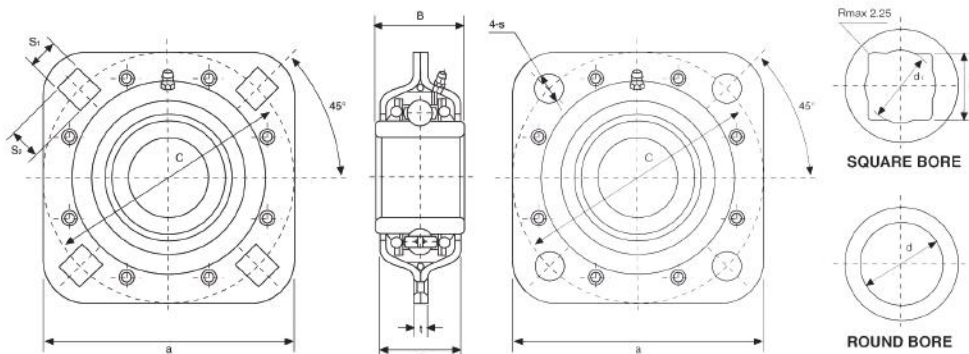
Code	Dimensions										M	B ₁	n	Bearing	Kg	B ₁	n	Bearing	kg	Support	L.Dynam.	L.Stat.
	d	a	e	b	m	s	t	f(min)														
246BPFT201SA 246BPFT201SB	12	81	63,5	28,5	14	7,1	4	49	M6	28,6	6,5	SA201	0,26	22	6	SB201	0,23	PFT203	9 200	4 480		
246BPFT202SA 246BPFT202SB	15	81	63,5	28,5	14	7,1	4	49	M6	28,6	6,5	SA202	0,26	22	6	SB202	0,23	PFT203	9 200	4 480		
246BPFT203SA 246BPFT203SB	17	81	63,5	28,5	14	7,1	4	49	M6	28,6	6,5	SA203	0,26	22	6	SB203	0,23	PFT203	9 200	4 480		
246BPFT204SA 246BPFT204SB	20	90	71,5	33	16	9	4	56	M8	31	7,5	SA204	0,28	25	7	SB204	0,28	PFT204	12 200	6 300		
246BPFT205SA 246BPFT205SB	25	95	76	35	18	9	4	60	M9	31	7,5	SA205	0,36	27	7,5	SB205	0,36	PFT205	13 300	7 460		
246BPFT206SA 246BPFT206SB	30	113	90,5	40	18	11	5,2	71	M10	35,7	9	SA206	0,58	30	8	SB206	0,55	PFT206	18 500	10 800		
246BPFT207SA 246BPFT207SB	35	122	100	44,5	20	11	5,2	81	M10	38,9	9,5	SA207	0,82	32	8,5	SB207	0,74	PFT207	24 500	14 600		



>>> Stainless steel housings

ST Series housings

At www.rodavigo.net Family: Bearing accessories
Product: Bearing housings

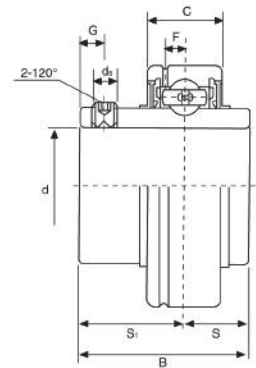
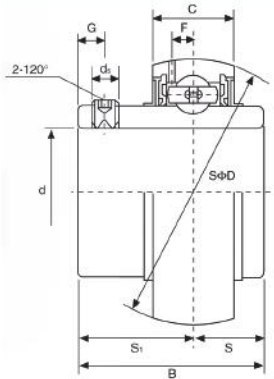


Code	Dimensions mm											Load factors (N)	
	H	d	a	B	m	t	C	s	S ₁	S ₂	d ₁	Dynamic c	Static c ₀
246ST209	29,972	-	127	42,8	42	6	127	13,5	13,5	17,45	32,0	24 360	17 710
246ST20930S	31,353	-	127	42,8	42	6	127	13,5	13,5	17,45	34,5	24 360	17 710
246ST209114	32,766	-	127	42,8	42	6	127	13,5	13,5	17,45	34,5	24 360	17 710
246ST491B	-	38,860	127	42,8	42	6	127	13,5	13,5	17,45	-	24 360	17 710
246ST20940R	-	40,878	127	42,8	42	6	127	13,5	13,5	17,45	-	24 360	17 710
246ST491A	-	45,000	127	42,8	42	6	127	13,5	13,5	17,45	-	24 360	17 710
246ST20945R	-	45,340	127	42,8	42	6	127	13,5	13,5	17,45	-	24 360	17 710
246ST491A1	-	45,000	121	46	42	6	121	13,5	-	-	-	24 360	17 710
246ST211112	38,890	-	139,7	50,8	46	8	139,7	13,5	13,5	17,45	42,0	33 370	25 110
246ST21140S	40,878	-	139,7	50,8	46	8	139,7	13,5	13,5	17,45	43,1	33 370	25 110
246ST21150R	-	50,400	139,7	50,8	46	8	139,7	13,5	13,5	17,45	-	33 370	25 110
246ST21155R	-	55,575	139,7	50,8	46	8	139,7	13,5	13,5	17,45	-	33 370	25 110
246ST211134	-	45,212	139,7	55,6	46	8	139,7	13,5	13,5	17,45	-	33 370	25 110
246ST2112316	-	55,575	139,7	55,6	46	8	139,7	13,5	13,5	17,45	-	33 370	25 110
246ST21111516	-	49,238	139,7	69,9	46	8	139,7	13,5	13,5	17,45	-	33 370	25 110
246ST211	-	55,000	139,7	69,9	46	8	139,7	13,5	13,5	17,45	-	33 370	25 110
246ST740	-	55,562	139,7	55,6	45	7	139,7	13,5	13,5	17,45	-	33 370	25 110

>>> Housing bearings

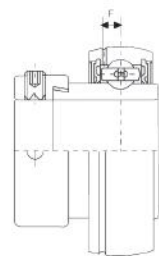
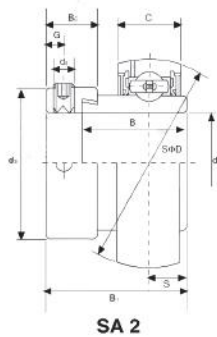
At www.rodavigo.net Family: Bearing accessories
Product: Housing bearings

UC2 series

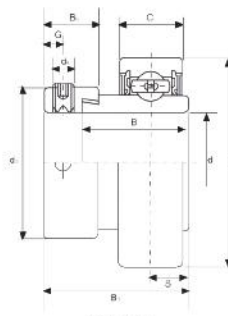


Code	Dimensions mm									Load coefficient (N)		
	d	D	B	C	S	S ₁	G	d _s	F	Dynamic C	Static C ₀	Weight(kg)
246UC201	12	47	31	17	12,7	18,3	4,8	M6x1	3,7	12 200	6 350	0,20
246UC202	15	47	31	17	12,7	18,3	4,8	M6x1	3,7	12 200	6 350	0,19
246UC203	17	47	31	17	12,7	18,3	4,8	M6x1	3,7	12 200	6 350	0,18
246UC204	20	47	31	17	12,7	18,3	4,8	M6x1	3,7	12 200	6 350	0,16
246UC205	25	52	34,1	17	14,3	19,8	5	M6x1	3,9	13 300	7 500	0,20
246UC206	30	62	38,1	19	15,9	22,2	5	M6x1	5,0	18 600	10 800	0,32
246UC207	35	72	42,9	20	17,5	25,4	7	M8x1	5,7	24 500	14 600	0,48
246UC208	40	80	49,2	21	19	30,2	8	M8x1	6,2	27 700	17 000	0,64
246UC209	45	85	49,2	22	19	30,2	8	M8x1	6,4	31 000	19 500	0,68
246UC210	50	90	51,6	24	19	32,6	10	M10x1	6,5	33 500	22 500	0,80
246UC211	55	100	55,6	25	22,2	33,4	10	M10x1	7,0	41 500	28 000	1,11
246UC212	60	110	65,1	27	25,4	39,7	10	M10x1	7,6	50 000	34 500	1,54
246UC213	65	120	65,1	28	25,4	39,7	10	M10x1	8,5	54 700	38 000	1,85
246UC214	70	125	74,6	29	30,2	44,4	12	M12x1,5	8,9	59 000	42 000	2,05
246UC215	75	130	77,8	30	33,3	44,5	12	M12x1,5	9,2	63 000	47 000	2,21
246UC216	80	140	82,6	32	33,3	49,3	12	M12x1,5	9,5	69 000	51 000	2,80
246UC217	85	150	85,7	34	34,1	51,6	12	M12x1,5	10,2	80 000	61 000	3,46
246UC218	90	160	96	36	39,7	56,3	12	M12x1,5	11,2	91 200	68 200	4,36

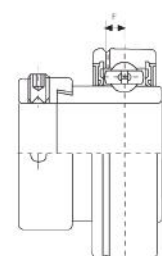
SA2 Series



SA 2S



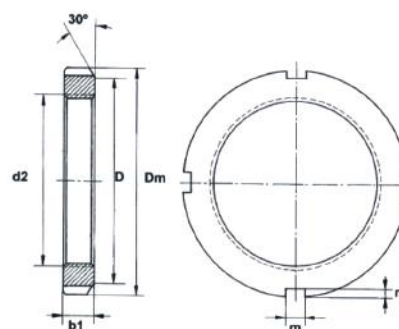
SA 2C



SA 2CS

Code	Dimensions mm											Load coefficient (N)		
	d	D	B ₁	B	C	S	d _s	G	B ₅	d ₃	F	Dynamic C	Static C ₀	Weight(kg)
246SA201	12	40	28,6	19,1	12	6,5	M6x1	4,8	13,5	28,6	3,7	9 200	4 480	0,12
246SA202	15	40	28,6	19,1	12	6,5	M6x1	4,8	13,5	28,6	3,7	9 200	4 480	0,10
246SA203	17	40	28,6	19,1	12	6,5	M6x1	4,8	13,5	28,6	3,7	9 200	4 480	0,09
246SA204	20	47	31	21,5	14	7,5	M6x1	4,8	13,5	33,3	3,7	12 200	6 300	0,16
246SA205	25	52	31	21,5	15	7,5	M6x1	4,8	13,5	38,1	3,9	13 300	7 460	0,20
246SA206	30	62	35,7	23,8	16	9	M8x1	6	15,9	44,5	5,0	18 500	10 800	0,30
246SA207	35	72	38,9	25,4	17	9,5	M8x1	6,8	17,5	55,6	5,7	24 500	14 600	0,42
246SA208	40	80	43,7	30,2	18	11	M8x1	6,8	18,3	60,3	6,2	27 700	17 000	0,60
246SA209	45	85	43,7	30,2	19	11	M8x1	6,8	18,3	63,5	6,4	31 100	24 450	0,76
246SA210	50	90	43,7	30,2	20	11	M8x1	6,8	18,3	69,9	6,5	35 300	28 160	0,91
246SA211	55	100	48,4	32,5	21	12	M8x1	8	20,7	76,2	7,0	38 100	30 000	1,26
246SA212	60	110	53,1	37,2	22	13,5	M10x1	8	22,3	84,2	7,6	41 500	32 730	1,70

>>> Nuts and washers

 At www.rodavigo.net Family: Bearing accessories
 Product: Bearing nuts and washers


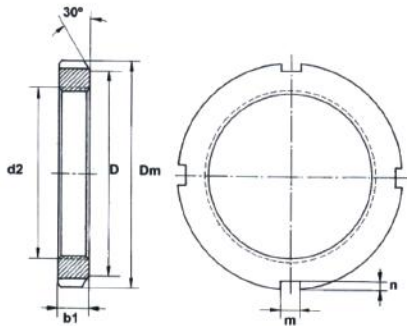
Code	Dimensions						Thread	Weight	Washer	Code	Dimensions						Thread	Weight	Washer		
	d2	Dm	b1	D	m	n					d2	Dm	b1	D	m	n					
	kg											kg									
225KM0	10	18	4	13,5	3	2	M 10x0,75	0,005	MB 0	225KML24	120	145	20	135	12	5	M 120x2	0,78	MBL 24		
225KM1	12	22	4	17	3	2	M 12x1	0,007	MB 1	225KML26	130	155	21	145	12	5	M 130x2	0,88	MBL 26		
225KM2	15	25	5	21	4	2	M 15x1	0,001	MB 2	225KML28	140	165	22	155	12	5	M 140x2	0,99	MBL 28		
225KM3	17	28	5	24	4	2	M 17x1	0,013	MB 3	225KML30	150	180	24	170	14	5	M 150x2	1,38	MBL 30		
225KM4	20	32	6	26	4	2	M 20x1	0,019	MB 4	225KML32	160	190	25	180	14	5	M 160x3	1,56	MBL 32		
225KM5	25	38	7	32	5	2	M 25x1,5	0,025	MB 5	225KML34	170	200	26	190	16	5	M 170x3	1,72	MBL 34		
225KM6	30	45	7	38	5	2	M 30x1,5	0,043	MB 6	225KML36	180	210	27	200	16	5	M 180x3	1,95	MBL 36		
225KM7	35	52	8	44	5	2	M 35x1,5	0,053	MB 7	225KML38	190	220	28	210	16	5	M 190x3	2,08	MBL 38		
225KM8	40	58	9	50	6	2,5	M 40x1,5	0,085	MB 8	225KML40	200	240	29	222	18	8	M 200x3	2,98	MBL 40		
225KM9	45	65	10	56	6	2,5	M 45x1,5	0,119	MB 9												
225KM10	50	70	11	61	6	2,5	M 50x1,5	0,148	MB 10												
225KM11	55	75	11	67	7	3	M 55x2	0,158	MB 11												
225KM12	60	80	11	73	7	3	M 60x2	0,174	MB 12												
225KM13	65	85	12	79	7	3	M 65x2	0,203	MB 13												
225KM14	70	92	12	85	8	3,5	M 70x2	0,242	MB 14												
225KM15	75	98	13	90	8	3,5	M 75x2	0,287	MB 15												
225KM16	80	105	15	95	8	3,5	M 80x2	0,397	MB 16												
225KM17	85	110	16	102	8	3,5	M 85x2	0,451	MB 17												
225KM18	90	120	16	108	10	4	M 90x2	0,556	MB 18												
225KM19	95	125	17	113	10	4	M 95x2	0,658	MB 19												
225KM20	100	130	18	120	10	4	M 100x2	0,698	MB 20												
225KM21	105	140	18	126	12	5	M 105x2	0,845	MB 21												
225KM22	110	145	19	133	12	5	M 110x2	0,965	MB 22												
225KM23	115	150	19	137	12	5	M 115x2	1,01	MB 23												
225KM24	120	155	20	138	12	5	M 120x2	1,08	MB 24												
225KM25	125	160	21	148	12	5	M 125x2	1,19	MB 25												
225KM26	130	165	21	149	12	5	M 130x2	1,25	MB 26												
225KM27	135	175	22	160	14	6	M 135x2	1,55	MB 27												
225KM28	140	180	22	160	14	6	M 140x2	1,56	MB 28												
225KM29	145	190	24	171	14	6	M 145x2	2,00	MB 29												
225KM30	150	195	24	171	14	6	M 150x2	2,03	MB 30												
225KM31	155	200	25	182	14	7	M 155x3	2,21	MB 31												
225KM32	160	210	25	182	16	7	M 160x3	2,59	MB 32												
225KM33	165	210	26	193	16	7	M 165x3	2,45	MB 33												
225KM34	170	220	26	193	16	7	M 170x3	2,80	MB 34												
225KM36	180	230	27	203	18	8	M 180x3	3,07	MB 36												
225KM38	190	240	28	214	18	8	M 190x3	3,39	MB 38												
225KM40	200	250	29	226	18	8	M 200x3	3,69	MB 40												

The nuts are marked with their reference.
 The standard material is ST-52. Up to reference 40 is manufactured with metric thread ISO 2982-2 with tolerance 6H.
 Larger references are manufactured with 7H tolerance according to ISO 2982-2 standard.

BEARING ACCESSORIES

At www.rodavigo.net Family: Bearing accessories
Product: Bearing nuts and washers

>>> Nuts and Washers



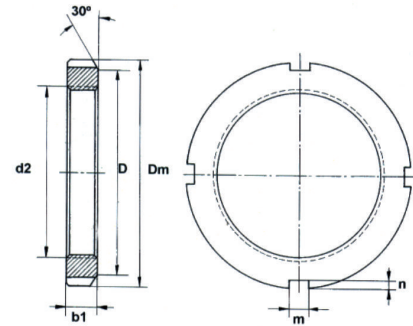
Code ¹⁾	Dimensions						Thread	Weight	Code ¹⁾	Dimensions						Thread	Weight
	d2	Dm	b1	D	m	n				d2	Dm	b1	D	m	n		
225HM42T	210	270	30	238	20	10	Tr 210 x 4	5	225HML41T	205	250	30	232	18	8	Tr 205 x 4	3
225HM44T	220	280	32	250	20	10	Tr 220 x 4	5	225HML43T	215	260	30	242	20	9	Tr 215 x 4	4
225HM46T	230	290	34	260	20	10	Tr 230 x 4	6	225HML47T	235	280	30	260	20	9	Tr 235 x 4	4
225HM48T	240	300	34	270	20	10	Tr 240 x 4	6	225HML52T	260	310	34	290	20	10	Tr 260 x 4	5
225HM50T	250	320	36	290	20	10	Tr 250 x 4	7	225HML56T	280	330	30	310	24	10	Tr 280 x 4	6
225HM52T	260	330	36	300	24	12	Tr 260 x 4	8	225HML60T	300	360	31	336	24	12	Tr 300 x 4	7
225HM54T	270	340	38	310	24	12	Tr 270 x 4	9	225HML64T	320	380	42	356	24	12	Tr 320 x 5	8
225HM56T	280	350	38	320	24	12	Tr 280 x 4	10	225HML69T	345	410	45	384	28	13	Tr 345 x 5	9
225HM58T	290	370	40	330	24	12	Tr 290 x 4	10	225HML72T	360	420	35	394	28	13	Tr 360 x 5	10
225HM60T	300	380	40	340	24	12	Tr 300 x 4	10	225HML73T	365	430	48	404	28	13	Tr 365 x 5	11
225HM62T	310	390	42	350	24	12	Tr 310 x 5	10	225HML76T	380	445	37	417	28	14	Tr 380 x 5	11
225HM64T	320	400	42	360	24	12	Tr 320 x 5	12	225HML77T	385	450	48	422	28	14	Tr 385 x 5	12
225HM66T	330	420	52	380	28	15	Tr 330 x 5	14	225HML82T	410	480	52	452	32	14	Tr 410 x 5	14
225HM68T	340	440	55	400	28	15	Tr 340 x 5	15	225HML86T	430	500	52	472	32	14	Tr 430 x 5	16
225HM70T	350	450	55	410	28	15	Tr 350 x 5	15	225HML90T	450	520	60	490	32	15	Tr 450 x 5	16
225HM72T	360	460	58	420	28	15	Tr 360 x 5	16	225HML92T	460	540	60	510	32	15	Tr 460 x 5	28
225HM74T	370	470	58	430	28	15	Tr 370 x 5	17	225HML96T	480	560	60	530	36	15	Tr 480 x 5	30
225HM76T	380	490	60	450	32	18	Tr 380 x 5	20	225HML98T	490	580	60	550	36	15	Tr 490 x 5	22
225HM80T	400	520	62	460	32	18	Tr 400 x 5	24	225HML100T	500	580	68	550	36	15	Tr 500 x 5	35
225HM84T	420	540	70	490	32	18	Tr 420 x 5	27	225HML102T	510	600	68	570	36	15	Tr 510 x 6	41
225HM88T	440	560	70	510	36	20	Tr 440 x 5	29	225HML104T	520	600	68	570	36	15	Tr 520 x 6	25
225HM92T	460	580	75	540	36	20	Tr 460 x 5	29	225HML108T	540	620	49	590	40	20	Tr 540 x 6	27
225HM96T	480	620	75	560	36	20	Tr 480 x 5	37	225HML112T	560	650	60	610	40	20	Tr 560 x 6	32
225HM102T	510	620	58	570	40	23	Tr 510 x 6	41	225HML118T	590	690	63	650	40	20	Tr 590 x 6	48
225HM106T	530	640	60	590	40	23	Tr 530 x 6	44	225HML126T	630	730	65	690	45	20	Tr 630 x 6	52
225HM110T	550	670	63	620	40	23	Tr 550 x 6	53	225HML134T	670	770	70	730	45	20	Tr 670 x 6	60
225HM116T	580	730	65	670	45	25	Tr 580 x 6	57	225HML142T	710	830	70	780	50	25	Tr 710 x 7	76
225HM122T	610	730	65	675	45	25	Tr 610 x 6	60	225HML150T	750	870	70	820	5	25	Tr 750 x 7	80
225HM130T	650	780	67	750	50	28	Tr 650 x 6	71	225HML160T	800	920	70	865	55	25	Tr 800 x 7	84
225HM136T	680	820	72	750	50	28	Tr 680 x 6	85	225HML170T	850	970	74	915	60	25	Tr 850 x 7	94
225HM144T	720	870	72	800	50	28	Tr 720 x 7	98	225HML180T	900	1020	74	965	60	25	Tr 900 x 7	100
225HM152T	760	910	75	830	55	30	Tr 760 x 7	104	225HML190T	950	1070	76	1015	60	25	Tr 950 x 8	108
225HM160T	800	950	75	870	60	34	Tr 800 x 7	109	225HML200T	1000	1120	76	1065	60	25	Tr 1000 x 8	114
225HM170T	850	1010	79	930	60	34	Tr 850 x 7	131	225HML212T	1060	1180	78	1125	60	25	Tr 1060 x 8	124
225HM180T	900	1060	82	980	70	38	Tr 900 x 7	142	225HML224T	1120	1240	79	1185	60	25	Tr 1120 x 8	132
225HM190T	950	1110	83	1030	70	38	Tr 950 x 8	153									
225HM200T	1000	1160	83	1080	70	38	Tr 1000 x 8	161									
225HM212T	1060	1220	85	1130	70	38	Tr 1060 x 8	171									

1) Price and supply possibilities, on request.

>>> Nuts and washers

At www.rodavigo.net

Family: Bearing accessories
Product: Bearing nuts and washers



Code ¹⁾	Dimensions						Thread	Weight	Code	Dimensions						Thread	Weight	Staple	Screw	Washer
	d2	Dm	b1	D	m	n				d2	Dm	b1	D	m	n					
225HMLL36	180	210	25	196	16	7	M 180x3	2	225HM3044	220	260	30	242	20	9	Tr220x4	3	MS3044	M6x12	B 6
225HMLL38	190	225	25	211	16	7	M 190x3	2	225HM3048	240	290	34	270	20	10	Tr240x4	5	MS3048	M8x16	B 8
225HMLL40	200	235	25	221	16	7	M 200x3	2	225HM3052	260	310	34	290	20	10	Tr260x4	6	MS3052	M8x16	B 8
225HMLL42T	210	250	26	234	18	8	Tr 210x4	3	225HM3056	280	330	38	310	24	10	Tr280x4	7	MS3056	M8x16	B 8
225HMLL46T	230	270	26	254	18	8	Tr 230x4	3	225HM3060	300	360	42	336	24	12	Tr300x4	10	MS3060	M8x16	B 8
225HMLL50T	250	290	26	274	18	8	Tr 250x4	3	225HM3064	320	380	42	356	24	12	Tr320x5	10	MS3064	M8x16	B 8
225HMLL59T	295	340	27	320	20	10	Tr 295x4	5	225HM3068	340	400	45	376	24	12	Tr340x5	12	MS3068	M8x16	B 8
225HMLL63T	315	370	28	350	20	10	Tr 315x5	6	225HM3072	360	420	45	394	28	13	Tr360x5	12	MS3072	M8x16	B 8
225HMLL67T	335	390	28	370	20	10	Tr 335x5	7	225HM3076	380	450	48	422	28	14	Tr380x5	15	MS3076	M10x20	B 10
225HMLL71T	355	410	28	386	24	12	Tr 355x5	7	225HM3080	400	470	52	442	28	14	Tr400x5	17	MS3080	M10x20	B 10
225HMLL75T	375	430	28	406	24	12	Tr 375x5	7	225HM3084	420	490	52	462	32	14	Tr420x5	17	MS3084	M10x20	B 10
225HMLL79T	395	460	30	436	24	12	Tr 395x5	10	225HM3088	440	520	60	490	32	15	Tr440x5	26	MS3088	M12x25	B 12
225HMLL83T	415	480	30	456	24	12	Tr 415x5	10	225HM3092	460	540	60	510	32	15	Tr460x5	27	MS3092	M12x25	B 12
225HMLL87T	435	500	30	474	28	13	Tr 435x5	11	225HM3096	480	560	60	530	36	15	Tr480x5	28	MS3096	M12x25	B 12
225HMLL92T	460	530	33	504	28	13	Tr 460x5	13	225HM30500 ⁿ	500	580	68	550	36	15	Tr500x5	34	MS30/500	M12x25	B 12
225HMLL96T	480	550	33	522	32	14	Tr 480x5	14	225HM30530 ⁿ	530	630	68	590	40	20	Tr530x6	43	MS30/530	M16x30	B 16
225HMLL100T	500	575	37	547	32	15	Tr 500x5	18	225HM30560 ⁿ	560	650	75	610	40	20	Tr560x6	44	MS30/560	M16x30	B 16
225HMLL104T	520	595	42	565	32	15	Tr 520x6	21	225HM30600 ⁿ	600	700	75	660	40	20	Tr600x6	54	MS30/600	M16x30	B 16
225HMLL110T	550	625	47	595	32	15	Tr 550x6	25	225HM30630 ⁿ	630	730	75	690	45	20	Tr630x6	56	MS30/630	M16x30	B 16
225HMLL116T	580	660	47	630	32	15	Tr 580x6	28	225HM30670 ⁿ	670	780	80	740	45	20	Tr670x6	71	MS30/670	M16x30	B 16
225HMLL125T	625	710	48	675	36	15	Tr 625x6	32	225HM30710 ⁿ	710	830	90	780	50	25	Tr710x7	91	MS30/710	M16x30	B 16
225HMLL131T	655	745	52	715	36	15	Tr 655x6	40	225HM30750 ⁿ	750	870	90	820	55	25	Tr750x7	95	MS30/750	M16x30	B 16
225HMLL139T	695	795	53	755	40	20	Tr 696x5	46	225HM30800 ⁿ	800	920	90	870	55	25	Tr800x7	102	MS30/800	M16x30	B 16
225HMLL148T	740	840	55	800	40	20	Tr 740x7	51	225HM30850 ⁿ	850	980	90	925	60	25	Tr850x7	118	MS30/850	M20x40	B 20
225HMLL156T	780	880	56	840	40	20	Tr 780x7	55	225HM30900 ⁿ	900	1030	100	975	60	25	Tr900x7	139	MS30/900	M20x40	B 20
225HMLL166T	830	930	57	890	40	20	Tr 830x7	60	225HM30950 ⁿ	950	1080	100	1025	60	25	Tr950x8	148	MS30/950	M20x40	B 20
225HMLL176T	880	990	62	950	45	20	Tr 880x7	76	225HM301000 ⁿ	1000	1140	100	1085	60	25	Tr1000x8	170	MS30/1000	M20x40	B 20
225HMLL186T	930	1040	63	1000	45	20	Tr 930x8	82	225HM301060 ⁿ	1060	1200	100	1145	60	25	Tr1060x8	180	MS30/1060	M20x40	B 20
225HMLL196T	980	1090	65	1050	45	20	Tr 980x8	89	225HM301120 ⁿ	1120	1260	100	1205	60	25	Tr1120x8	190	MS30/1120	M20x40	B 20
225HMLL207T	1035	1155	67	1105	50	25	Tr 1035x8	104	225HM301180 ⁿ	1180	1320	100	1265	60	25	Tr1180x8	200	MS30/1180	M20x40	B 20
225HMLL219T	1095	1215	67	1165	50	25	Tr 1095x8	110												
225HMLL231T	1155	1280	70	1230	50	25	Tr 1155x8	126												
225HMLL243T	1215	1340	70	1290	50	25	Tr 1215x8	131												

1) Price and supply possibilities, on request.

BEARING ACCESSORIES

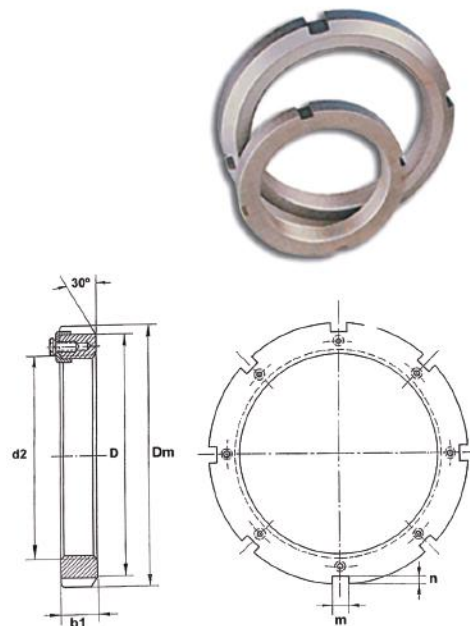
At www.rodavigo.net

Family: Bearing accessories
Product: Bearing nuts and washers

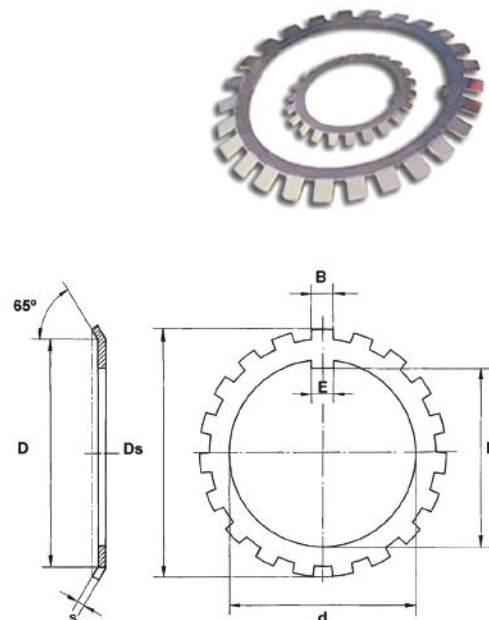
>>> Nuts and Washers

Code ¹⁾	Dimensions						Thread	Weight	Staple	Screw	Washer
	d ₂	D _m	b ₁	D	m	n					
	kg										
225HM3160	300	380	40	340	24	12	Tr 300 x 4	12	MS 3160	M 10 x 20	B 10
225HM3164	320	400	42	360	24	12	Tr 320 x 5	13	MS 3164	M 10 x 20	B 10
225HM3168	340	440	55	400	28	15	Tr 340 x 5	23	MS 3168	M 12 x 25	B 12
225HM3172	360	460	58	420	28	15	Tr 360 x 5	25	MS 3172	M 12 x 25	B 12
225HM3176	380	490	60	440	32	18	Tr 380 x 5	31	MS 3176	M 12 x 25	B 12
225HM3180	400	520	62	460	32	18	Tr 400 x 5	37	MS 3180	M 16 x 30	B 16
225HM3184	420	540	70	490	32	18	Tr 420 x 5	43	MS 3184	M 16 x 30	B 16
225HM3188	440	560	70	510	36	20	Tr 440 x 5	45	MS 3188	M 16 x 30	B 16
225HM3192	460	580	75	540	36	20	Tr 460 x 5	50	MS 3192	M 16 x 30	B 16
225HM3196	480	620	75	560	36	20	Tr 480 x 5	62	MS 3196	M 16 x 30	B 16
225HM31500	500	630	80	580	40	23	Tr 500 x 5	63	MS 31/500	M 16 x 30	B 16
225HM31530	530	670	80	610	40	23	Tr 530 x 6	74	MS 31/530	M 20 x 40	B 20
225HM31560	560	710	85	650	45	25	Tr 560 x 6	89	MS 31/560	M 20 x 40	B 20
225HM31600	600	750	85	690	45	25	Tr 600 x 6	95	MS 31/600	M 20 x 40	B 20
225HM31630	630	800	95	730	50	28	Tr 630 x 6	127	MS 31/630	M 20 x 40	B 20
225HM31670	670	850	106	775	50	28	Tr 670 x 6	162	MS 31/670	M 20 x 40	B 20
225HM31710	710	900	106	825	55	30	Tr 710 x 7	180	MS 31/710	M 24 x 50	B 24
225HM31750	750	950	112	875	60	34	Tr 750 x 7	208	MS 31/750	M 24 x 50	B 24
225HM31800	800	1000	112	925	60	34	Tr 800 x 7	221	MS 31/800	M 24 x 50	B 24
225HM31850	850	1060	118	975	70	38	Tr 850 x 7	254	MS 31/850	M 24 x 50	B 24
225HM31900	900	1120	125	1030	70	38	Tr 900 x 7	303	MS 31/900	M 24 x 50	B 24
225HM31950	950	1170	125	1080	70	38	Tr 950 x 8	321	MS 31/950	M 24 x 50	B 24
225HM311000	1000	1240	125	1140	70	38	Tr 1000 x 8	374	MS 31/1000	M 24 x 50	B 24
225HM311060	1060	1300	125	1210	70	38	Tr 1060 x 8	396	MS 31/1060	M 24 x 50	B 24

1) Price and supply possibilities, on request.



Code	Dimensions						Weight	Thread
	d	Ds	D	s	E	F		
	kg (100 unit)							
225MB0	10	21	13,5	1	3	8,5	3	0,13 KM 0
225MB1	12	25	17	1	3	10,5	3	0,20 KM 1
225MB2	15	28	21	1	4	13,5	4	0,26 KM 2
225MB3	17	32	24	1	4	15,5	4	0,32 KM 3
225MB4	20	36	26	1	4	18,5	4	0,35 KM 4
225MB5	25	42	32	1,2	5	23	5	0,64 KM 5
225MB6	30	49	38	1,2	5	27,5	5	0,78 KM 6
225MB7	35	57	44	1,2	6	32,5	5	1,04 KM 7
225MB8	40	62	50	1,2	6	37,5	6	1,23 KM 8
225MB9	45	69	56	1,2	6	42,5	6	1,52 KM 9
225MB10	50	74	61	1,2	6	47,5	6	1,60 KM 10
225MB11	55	81	67	1,2	8	52,5	7	1,96 KM 11
225MB12	60	86	73	1,5	8	57,5	7	2,53 KM 12
225MB13	65	92	79	1,5	8	62,5	7	2,90 KM 13
225MB14	70	98	85	1,5	8	66,5	8	3,34 KM 14
225MB15	75	104	90	1,5	8	71,5	8	3,56 KM 15
225MB16	80	112	95	2	10	76,5	8	4,64 KM 16
225MB17	85	119	102	2	10	81,5	8	5,24 KM 17
225MB18	90	126	108	2	10	86,5	10	6,23 KM 18
225MB19	95	133	113	2	10	91,5	10	6,70 KM 19
225MB20	100	142	120	2	12	96,5	10	7,65 KM 20
225MB21	105	145	126	2	12	100,5	12	8,26 KM 21
225MB22	110	154	133	2	12	105,5	12	9,40 KM 22
225MB23	115	155	137	2	12	110,5	12	10,80 KM 23
225MB24	120	160	138	2	14	115	12	10,50 KM 24
225MB25	125	165	148	2	14	120	12	11,80 KM 25
225MB26	130	170	149	2	14	125	12	11,30 KM 26
225MB27	135	180	160	2	14	130	14	14,40 KM 27
225MB28	140	185	160	2	16	135	14	14,20 KM 28
225MB29	145	202	172	2	16	140	14	16,80 KM 29
225MB30	150	200	171	2	16	145	14	15,50 KM 30
225MB31	155	212	182	2,5	16	147,5	16	20,90 KM 31
225MB32	160	215	182	2,5	18	154	16	22,20 KM 32
225MB33	165	222	193	2,5	18	157,5	16	24,10 KM 33
225MB34	170	225	193	2,5	18	164	16	24,70 KM 34
225MB36	180	235	203	2,5	20	174	18	26,80 KM 36
225MB38	190	245	214	2,5	20	184	18	27,80 KM 38
225MB40	200	255	226	2,5	20	194	18	29,30 KM 40
225MB44	220	292	250	3	24	213	20	40,00 HM 44
225MB48	240	312	270	3	24	233	20	40,00 HM 48
225MB52	260	342	300	3	28	253	24	60,00 HM 52
225MB56	280	362	320	3	28	273	24	62,00 HM 56



Code	Dimensions							Weight	Thread
	d	Ds	D	s	E	F	B		
	gr								
225MBL24	120	148	135	2	14	115	12	0,08	KML 24
225MBL26	130	158	145	2	14	125	12	0,09	KML 26
225MBL28	140	170	155	2	16	135	12	0,10	KML 28
225MBL30	150	180	170	2	16	145	14	0,11	KML 30
225MBL32	160	190	180	2,5	18	154	14	0,16	KML 32
225MBL34	170	209	190	2,5	18	164	16	0,17	KML 34
225MBL36	180	215	200	2,5	20	174	16	0,18	KML 36
225MBL38	190	228	210	2,5	20	184	16	0,20	KML 38
225MBL40	200	248	222	2,5	20	194	18	0,21	KML 40

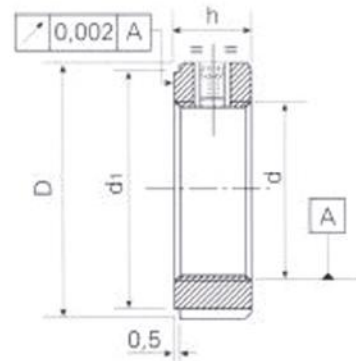
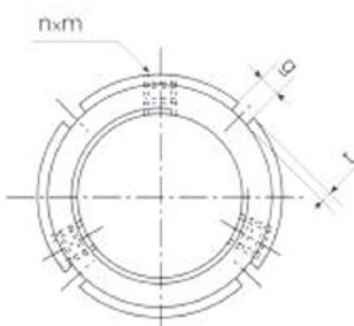
MB washers are manufactured according to ISO 2982-2 in material ST 52. Staples are made of the same material and according to the same manufacturing standard.

>>> Nuts

ZM Series knurled nut

 At www.rodavigo.net Family: Bearing accessories
 Product: Bearing nuts and washers

Precision knurled nut. Radial locking. ZM series



Lock at 2 or 3 points depending on size.

- Narrow section.
- SCM 440 nut material.
- Locking stud material; phosphor bronze.
- HRC hardness 26-32.
- ISO 4H thread tolerance.

Code	Thread d	D	h	g	t	d ₁	nxm	Stud torque Tt (Nm)	Maximum axial load KN	Release torque Nm
225ZM08	M8x0.75	16	8	3	2	11	2xM4	3,5	20	17,6
225ZM10	M10x0.75	18	8	3	2	13	2xM4	3,5	28	18,1
225ZM12	M12x1	22	8	3	2	18	2xM4	3,5	38	19,1
225ZM15	M15x1	25	8	3	2	21	2xM4	3,5	50	20,6
225ZM17	M17x1	28	10	4	2	27	2xM5	8	57	21,6
225ZM20	M20x1	32	10	4	2	32	2xM5	8	68	24
225ZM2015	M20x1.5	32	10	4	2	32	2xM5	8	70	24,5
225ZM25	M25x1.5	38	12	5	2	33	3xM6	8	92	26,4
225ZM30	M30x1.5	45	12	5	2	40	3xM6	8	96	28,4
225ZM35	M35x1.5	52	12	5	2	47	3xM6	8	103	34,3
225ZM40	M40x1.5	58	14	6	2,5	52	3xM6	8	133	36,3
225ZM45	M45x1.5	65	14	6	2,5	59	3xM6	8	152	56,9
225ZM50	M50x1.5	70	14	6	2,5	64	3xM6	8	158	63,7
225ZM55	M55x2	75	16	7	3	68	3xM6	8	217	68,6
225ZM60	M60x2	80	16	7	3	73	3xM6	8	233	96,1
225ZM65	M65x2	85	16	7	3	78	3xM6	8	257	112,7
225ZM70	M70x2	92	18	8	3,5	84	3xM8	18	257	137,3
225ZM75	M75x2	98	18	8	3,5	90	3xM8	18	335	145,5
225ZM80	M80x2	105	18	8	3,5	96	3xM8	18	348	149
225ZM85	M85x2	110	18	8	3,5	102	3xM8	18	380	168,6
225ZM90	M90x2	120	20	10	4	108	3xM8	18	405	178,4
225ZM95	M95x2	125	20	10	4	113	3xM8	18	440	193,4
225ZM100	M100x2	130	20	10	4	118	3xM8	18	470	210,8
225ZM105	M105x2	140	22	12	5	125	3xM8	18	480	215,7
225ZM110	M110x2	145	22	12	5	132	3xM8	18	520	230,4
225ZM115	M115x2	150	22	12	5	137	3xM8	18	550	250
225ZM120	M120x2	155	24	12	5	142	3xM8	18	580	264,7
225ZM125	M125x2	160	24	12	5	147	3xM8	18	610	274,5
225ZM130	M130x2	165	24	12	5	152	3xM8	18	630	294,1
225ZM135	M135x2	175	26	14	6	160	3xM10	35	660	328,4
225ZM140	M140x2	180	26	14	6	165	3xM10	35	690	372,5
225ZM145	M145x2	190	26	14	6	175	3xM10	35	730	402
225ZM150	M150x2	195	26	14	6	180	3xM10	35	745	421,6
225ZM155	M155x3	200	28	16	7	180	3xM10	35	775	460,8
225ZM160	M160x3	210	28	16	7	190	3xM10	35	810	509,8
225ZM165	M165x3	210	28	16	7	190	3xM10	35	840	529,4
225ZM170	M170x3	220	28	16	7	200	3xM10	35	870	558,8

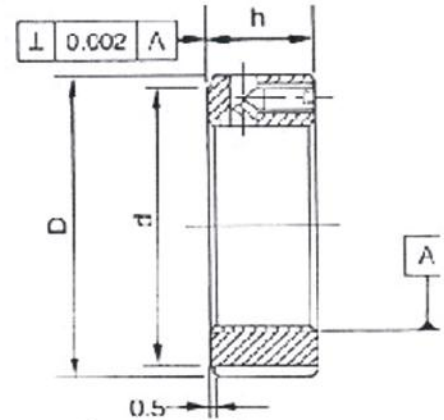
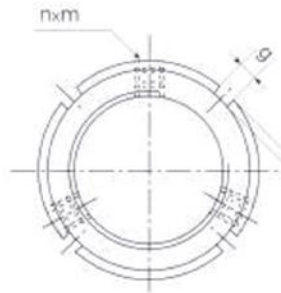
>>> Nuts

ZMVR Series knurled nut

At www.rodavigo.net

Family: Bearing accessories
Product: Bearing nuts and washers

Precision knurled nut. Radial locking. ZMVR series



Lock at 2 or 3 points depending on size.

- Same section as ZMO type.
- Nut Material SCM 440.
- Locking stud material; phosphor bronze.
- HRC hardness 26-32.
- Thread tolerance ISO 4H.

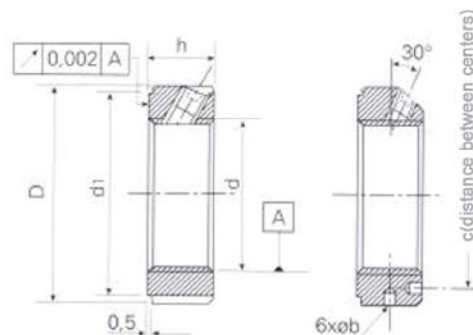
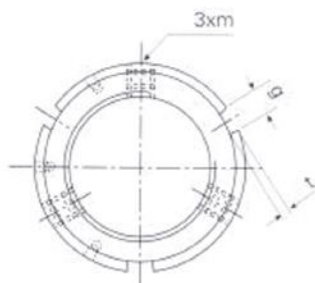
Code	Thread d	D	h	g	t	d ₁	nxm	Stud torque Tt (Nm)	Maximum axial load KN	Release torque Nm
225ZMVR17	M17x1	32	16	4	2	23	2xM4	3,5	85	24,5
225ZMVR20	M20x1	38	16	4	2	27	2xM5	4,5	102	26
225ZMVR2015	M20x1,5	38	16	4	2	27	2xM5	4,5	119	26,2
225ZMVR25	M25x1,5	38	18	5	2	33	2xM6	8	125	27,5
225ZMVR30	M30x1,5	45	18	5	2	40	2xM6	8	154	29,4
225ZMVR35	M35x1,5	52	18	5	2	47	2xM6	8	182	37,3
225ZMVR40	M40x1,5	58	20	6	2,5	52	3xM6	8	216	42,2
225ZMVR45	M45x1,5	65	20	6	2,5	59	3xM6	8	244	58,8
225ZMVR50	M50x1,5	70	20	6	2,5	64	3xM6	8	274	65,7
225ZMVR55	M55x2	75	22	7	3	68	3xM6	8	304	73,5
225ZMVR60	M60x2	80	22	7	3	73	3xM6	8	335	81,4
225ZMVR65	M65x2	85	22	7	3	78	3xM6	8	352	88,2
225ZMVR70	M70x2	92	24	8	3,5	84	3xM8	18	388	96,1
225ZMVR75	M75x2	98	24	8	3,5	90	3xM8	18	418	102,9
225ZMVR80	M80x2	105	24	8	3,5	96	3xM8	18	448	112,7
225ZMVR85	M85x2	110	24	8	3,5	102	3xM8	18	484	127,5
225ZMVR90	M90x2	120	26	10	4	108	3xM8	18	507	137,3
225ZMVR95	M95x2	125	26	10	4	113	3xM8	18	536	152
225ZMVR100	M100x2	130	26	10	4	118	3xM8	18	585	171,6
225ZMVR105	M105x2	140	28	12	5	125	3xM8	18	610	186,3
225ZMVR110	M110x2	145	28	12	5	132	3xM8	18	632	205,9
225ZMVR115	M115x2	150	28	12	5	137	3xM8	18	669	220,6
225ZMVR120	M120x2	155	30	12	5	142	3xM8	18	703	235,3
225ZMVR125	M125x2	160	30	12	5	147	3xM8	18	731	250
225ZMVR130	M130x2	165	30	12	5	152	3xM8	18	772	264,7
225ZMVR135	M135x2	175	32	14	6	160	3xM10	35	815	303,9
225ZMVR140	M140x2	180	32	14	6	165	3xM10	35	888	323,5
225ZMVR145	M145x2	190	32	14	6	175	3xM10	35	980	352,9
225ZMVR150	M150x2	195	32	14	6	180	3xM10	35	1010	392,2
225ZMVR155	M155x3	200	34	16	7	180	3xM10	35	1040	421,6
225ZMVR160	M160x3	210	34	16	7	190	3xM10	35	1100	460,8
225ZMVR165	M165x3	210	34	16	7	190	3xM10	35	1130	495,1
225ZMVR170	M170x3	220	34	16	7	200	3xM10	35	1160	519,6
225ZMVR180	M180x3	230	36	18	8	205	3xM12	60	1220	558,8
255ZMVR190	M190x3	240	36	18	8	215	3xM12	60	1280	598
255ZMVR200	M200x3	250	38	18	8	225	3xM12	60	1340	637,3

>>> Nuts

ZMO Series knurled nut

 At www.rodavigo.net Family: Bearing accessories
 Product: Bearing nuts and washers

Precision knurled nut. Radial locking. ZMO series


Lock at 3.

- Nut Material SCM 440.
- Locking stud material; phosphor bronze.
- HRC hardness 26-32.
- ISO 4H thread tolerance.

Code	Thread d	D	h	d ₁	g	b	t	c	m	Stud torque Tt (Nm)	Maximum axial load KN	Release torque Nm
225ZMO17	M17x1	32	16	23	4	2	-	M5	4,5	85	27,5	
225ZMO20	M20x1	38	16	27	4	2	-	M5	4,5	102	28,9	
225ZMO2015	M20x1,5	38	16	27	4	2	-	M6	8	119	30,4	
225ZMO25	M25x1,5	38	18	33	5	2	-	M6	8	125	32,4	
225ZMO30	M30x1,5	45	18	40	5	2	-	M6	8	154	39,2	
225ZMO35	M35x1,5	52	18	47	5	2	-	M8	18	182	30,2	
225ZMO40	M40x1,5	58	20	52	6	2,5	-	M8	18	216	46,1	
225ZMO45	M45x1,5	65	20	59	6	2,5	-	M8	18	244	61,8	
225ZMO50	M50x1,5	70	20	64	6	2,5	-	M8	18	274	70,6	
225ZMO55	M55x2	75	22	68	6	Ø6	2,5	65	M8	18	304	88,2
225ZMO60	M60x2	80	22	73	6	Ø6	2,5	70	M8	18	335	98
225ZMO65	M65x2	85	22	78	6	Ø6	2,5	75	M8	18	352	127,5
225ZMO70	M70x2	92	24	84	7	Ø7	3	81	M8	18	388	147,1
225ZMO75	M75x2	98	24	90	7	Ø7	3	87	M8	18	418	152
225ZMO80	M80x2	105	24	96	7	Ø7	3	93	M8	18	448	156,9
225ZMO85	M85x2	110	24	102	7	Ø7	3	98	M8	18	484	176,5
225ZMO90	M90x2	120	26	108	7	Ø7	3	105	M8	18	507	186,3
225ZMO95	M95x2	125	26	113	7	Ø7	3	110	M8	18	536	201
225ZMO100	M100x2	130	26	118	7	Ø7	3	115	M8	18	585	220,6
225ZMO105	M105x2	140	28	125	7	Ø7	3	123	M8	18	610	236,3
225ZMO110	M110x2	145	28	132	7	Ø7	3	128	M8	18	632	252
225ZMO115	M115x2	150	28	137	7	Ø7	3	133	M8	18	669	268,1
225ZMO120	M120x2	155	30	142	7	Ø7	3	138	M8	18	703	279,4
225ZMO125	M125x2	160	30	147	7	Ø7	3	143	M8	18	732	289,2
225ZMO130	M130x2	165	30	152	7	Ø7	3	148	M8	18	772	313,7
225ZMO135	M135x2	175	32	160	8	Ø8	3,5	155	M10	35	815	354,9
225ZMO140	M140x2	180	32	165	8	Ø8	3,5	160	M10	35	888	392,2
225ZMO145	M145x2	190	32	175	8	Ø8	3,5	168	M10	35	980	436,2
225ZMO150	M150x2	195	32	180	8	Ø8	3,5	173	M10	35	1010	480,4
225ZMO155	M155x3	200	34	180	8	Ø8	3,5	178	M10	35	1040	519,6
225ZMO160	M160x3	210	34	190	8	Ø8	3,5	185	M10	35	1100	563,7
225ZMO165	M165x3	210	34	190	8	Ø8	3,5	188	M10	35	1130	598
225ZMO170	M170x3	220	34	200	8	Ø8	3,5	195	M10	35	1160	647,1
225ZMO180	M180x3	230	36	205	8	Ø8	3,5	205	M12	60	1220	686,3
225ZMO190	M190x3	240	36	215	8	Ø8	3,5	215	M12	60	1280	735,3
225ZMO200	M200x3	250	38	225	8	Ø8	3,5	225	M12	60	1340	794,1

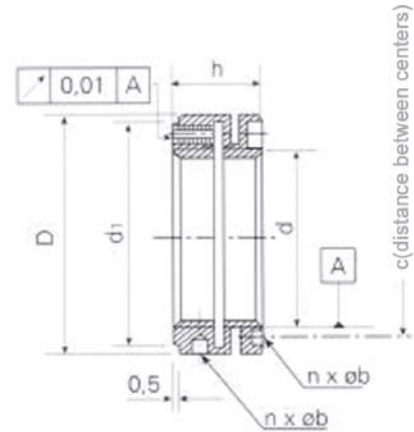
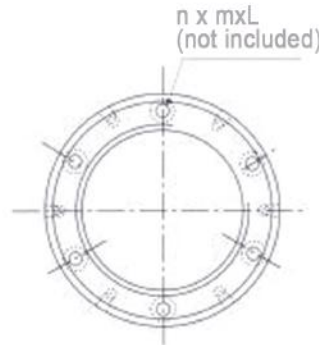
>>> Adjusting nuts

HIK Series adjusting nut

At www.rodavigo.net

Family: Bearing accessories
Product: Bearing nuts and washers

Precision adjusting nut. HIK series



Lock at 4 or 6 points depending on size.

- The blocking is achieved through the elastic deformation of the material, achieving up to three times the blocking capacity compared to others conventional systems .
- Nut Material SCM 440.
- Material of the locking screws; phosphor bronze.
- HRC hardness 26-32.
- Thread tolerance ISO 6H.

Code	Thread d	D	h	d ₁	nxm-L	nxb	Release torque (Nm)	c	Maximum axial load KN	Stud torque Nm
225HIK20	M20x1	40	18	35	4xM4-12	4x Ø4	2	30	22	99
225HIK2015	M20x1,5	40	18	35	4xM4-12	4x Ø4	2	30	22	101
225HIK25	M25x1,5	45	20	40	4xM4-12	4x Ø5	2	35	37	102
225HIK30	M30x1,5	48	20	45	4xM4-12	4x Ø5	2	39	45	103
225HIK35	M35x1,5	53	22	50	4xM4-16	4x Ø5	2,9	44	54	110
225HIK40	M40x1,5	58	22	55	4xM4-16	4x Ø5	2,9	49	57	111
225HIK45	M45x1,5	68	22	63	6xM4-18	6x Ø6	2,9	57	59	128
225HIK50	M50x1,5	70	25	66	6xM4-18	6x Ø6	2,9	60	67	137
225HIK55	M55x2	75	25	71	6xM4-18	6x Ø6	6	65	70	167
225HIK60	M60x2	84	26	79	6xM5-18	6x Ø6	6	72	152	206
225HIK65	M65x2	88	28	84	6xM5-20	6x Ø6	6	77	165	255
225HIK70	M70x2	95	28	89	6xM5-20	6x Ø8	6	82	189	314
225HIK75	M75x2	100	28	94	6xM5-20	6x Ø8	10	87	195	382
225HIK80	M80x2	110	32	103	6xM6-22	6x Ø8	10	95	241	401
225HIK85	M85x2	115	32	108	6xM6-22	6x Ø8	10	100	244	550
225HIK90	M90x2	120	32	113	6xM6-22	6x Ø8	10	105	248	657
225HIK95	M95x2	125	32	118	6xM6-22	6x Ø8	10	110	251	745
225HIK100	M100x2	130	32	123	6xM6-22	6x Ø8	10	115	253	834
225HIK110	M110x2	140	32	133	6xM6-22	6x Ø8	10	125	262	1128
225HIK120	M120x2	155	36	146	6xM6-25	6x Ø8	10	136	373	1324

OPERATION

HIK series precision adjusting nuts are segmented for easy locking. Both Segments deform elastically when tightening axially disposed studs. Threaded surfaces of the segments are pressed against the flanks of the shaft thread, obtaining a high force friction that opposes loosening of the nut.

www.rodavigo.net

24 hours a day / 365 days a year

