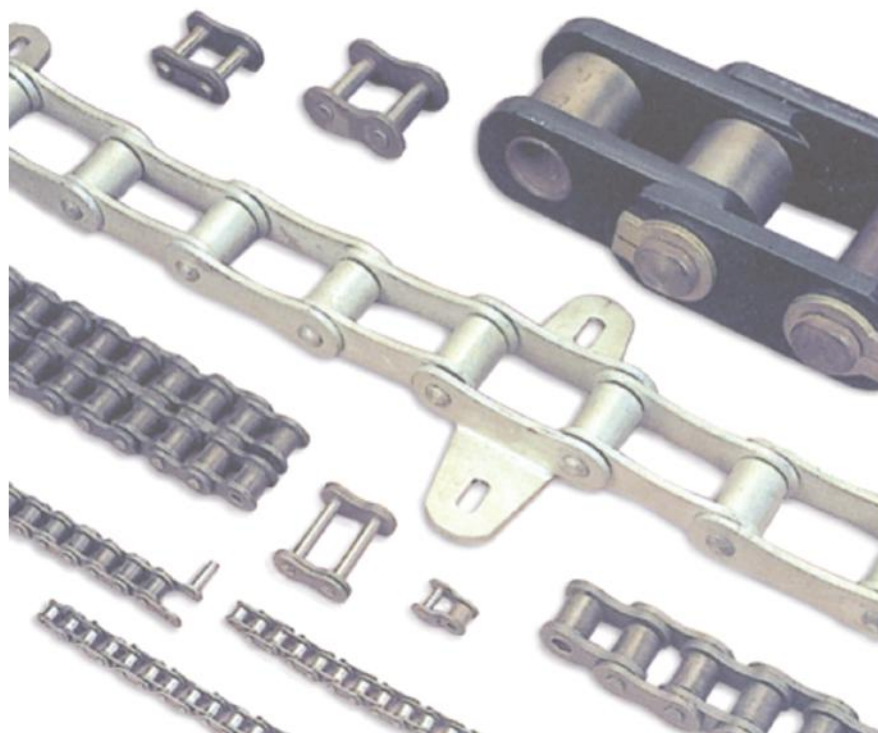


5. TRANSMISSION CHAINS

Slatband chain	p. 112
Lifting chains	p. 113
ISO ASA stainless roller chains	p. 117
ASA Steel Roller Chains	p. 118
ISO steel roller chains	p. 119
Roller chains	p. 120
Chain guides	p. 124
Chain tensioners	p. 126



WIPPERMANN



SPANN-BOX®





>>> Slatband chains

Chain

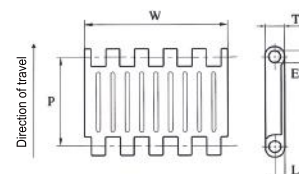
At www.rodavigo.net Family: Transmission chains
Product: Chain and accessories

Standard materials: Acetal D-gray or white, LF-brown and SLF-dark gray, Polypropylene (PP) and Polyethylene (PE).

Standard pin materials: Polypropylene.

The chain can be supplied with steel pins.

Different types of surface and vacuum holes sizes. Supply unit: 3.048 m = 10 ft



Dimensions

P		E		T		L	
mm	inch	mm	inch	mm	inch	mm	inch
38,1	1 1/2	5,0	25/128	4,25	11/64	8,50	21/64

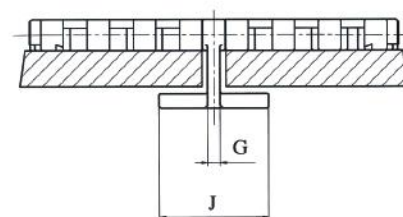
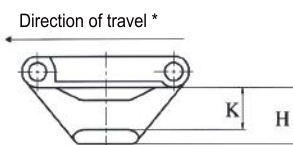
Reference	Width W		Weight		Reverse bending radius		Allowable F	
	mm	inch	kg/m	lbs/ft	mm	inch	N	ibf
UNIEPK250	63,5	2 1/2	0,37	0,23	4,45	26,7	650	145
UNIEPK325	82,6	3 1/4	0,48	0,32	5,74	36,2	850	190
UNIEPK400	101,6	4	0,59	0,40	5,74	36,2	1040	230
UNIEPK450	114,3	4 1/2	0,67	0,45	5,74	36,2	1170	260
UNIEPK600	152,4	6	0,89	0,60	5,74	40,6	1560	345
UNIEPK750	190,5	7 1/2	1,05	0,71	7	35,2	1950	430

All dimensions are for acetal chains.

Tab

Dimensions

G		H		J		K	
mm	inch	mm	inch	mm	inch	mm	inch
3,5	9/64	15,9	5/8	30,0	1 11/64	11,9	15/32



Standard materials: Acetal D-gray or white, LF-brown and SLF-dark gray, Polypropylene (PP).

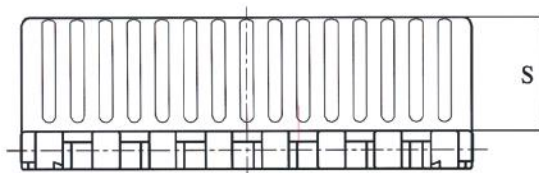
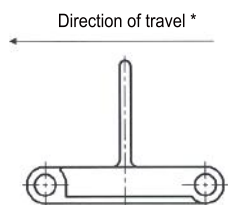
Note: using the belt system with Tabs, the temperature of the conveyor must be constant.

Support

Product 047

Dimensions

S	
mm	inch
25,4	1



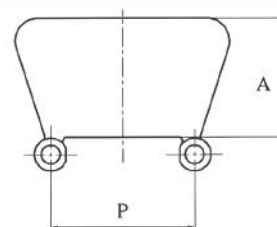
Standard materials: Acetal D-gray or white, LF-brown and SLF-dark gray, Polypropylene (PP) and Polyethylene (PE).

*uni-chains recommends this direction of travel. However, travel in both directions is possible.

Product 047

Dimensions

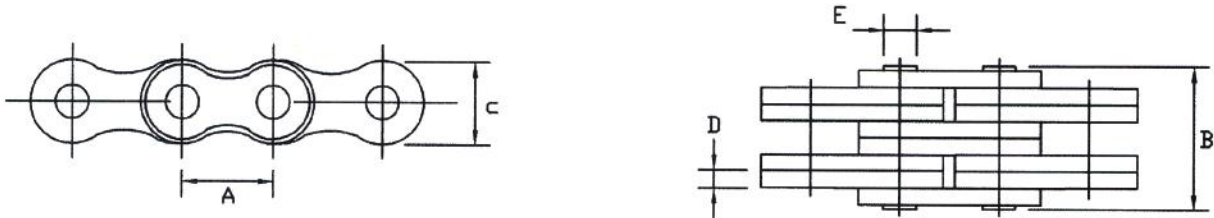
A		P	
mm	inch	mm	inch
36,0	1 29/64	38,1	1 1/2



Standard materials: Polypropylene (PP)



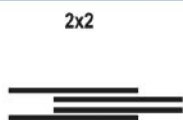
Leaf chains. LL, AL and LH series



COMBINATIONS			
2x2	COMBINATIONS 4x4	6x6	

Leaf chains. LL Series (ISO 4347 Standard)

COMBINATIONS



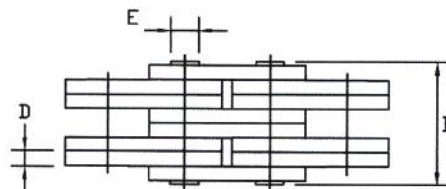
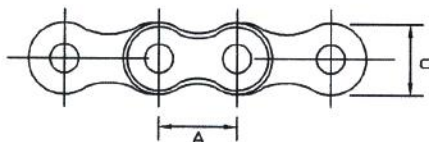
Code	ISO standard	Pitch A inch	Pitch A mm	Max width on axles B mm	Approx. breaking load daN Δ	Weight per m. kg.	Clamp width C	Clamp thickness D	Shaft diameter. E mm	Links per approx. meter
047703222	-	3/8	9,53	6,9	900	0,270	8,3	1,24	3,28	105
047704222	LL08	1/2	12,70	8,5	2000	0,380	10,6	1,35	4,45	79
047705222	LL10	5/8	15,875	9,2	2500	0,550	13,2	1,60	5,08	63
047706222	LL12	3/4	19,05	10,-	3200	0,640	14,5	1,80	5,72	53
047708222	LL16	1	25,40	15,3	6500	1,500	21,-	3,-	8,28	39
047710222	LL20	1 1/4	31,75	18,1	10000	1,890	25,-	3,50	10,19	31
047712222 ¹⁾	LL24	1 1/2	38,10	25,5	19000	4,470	34,5	5,-	14,63	27
047714222 ¹⁾	LL28	1 3/4	44,45	31,6	21000	6,850	37,-	6,60	15,90	23
047716222 ¹⁾	LL32	2	50,80	30,8	26000	6,430	42,-	6,20	17,81	19

1) Price and supply possibilities, on request.

>>> Lifting chains

Leaf chains. LL Series (ISO 4347 Standard)

 At www.rodavigo.net Family: Transmission chains
 Product: Chain and accessories

COMBINATIONS

4x4


Code	ISO standard	Pitch A Inch	Pitch A mm	Max width on axes B mm	Approx. breaking load daN Δ	Weight per m. kg.	Clamp width	Clamp thickness	Shaft diameter	Links per approx. meter
							C	D	E	
ISO 4347 - LL Series										
047703244	-	3/8	9,53	12,0	1800	0,520	8,3	1,24	3,28	105
047704244	LL08	1/2	12,70	13,8	3800	0,690	10,6	1,35	4,45	79
047705244	LL10	5/8	15,875	15,9	4750	1,080	13,2	1,60	5,08	63
047706244	LL12	3/4	19,05	17,5	6100	1,250	14,5	1,80	5,72	53
047708244	LL16	1	25,40	27,8	12400	2,920	21,-	3,-	8,28	39
047710244	LL20	1 1/4	31,75	32,6	19000	3,700	25,-	3,50	10,19	31
047712244 ¹⁾	LL24	1 1/2	38,10	46,1	36100	8,810	34,5	5,-	14,63	27
047714244 ¹⁾	LL28	1 3/4	44,45	58,8	40000	12,870	37,-	6,60	15,90	23
047716244 ¹⁾	LL32	2	50,80	56,4	49400	12,080	42,-	6,20	17,81	19

1) Price and supply possibilities, on request.

6x6


Code	ISO standard	Pitch A Inch	Pitch A mm	Max width on axes B mm	Approx. breaking load daN Δ	Weight per m. kg.	Clamp width	Clamp thickness	Shaft diameter	Links per approx. meter
							C	D	E	
ISO 4347 - LL Series										
047703266	-	3/8	9,53	-	-	-	8,3	1,24	3,28	105
047704266	LL08	1/2	12,70	19,1	5600	1,000	10,6	1,35	4,45	79
047705266	LL10	5/8	15,875	22,6	7000	1,600	13,2	1,60	5,08	63
047706266	LL12	3/4	19,05	25,-	9000	1,860	14,5	1,80	5,72	53
047708266	LL16	1	25,40	40,3	18200	4,340	21,-	3,-	8,28	39
047710266	LL20	1 1/4	31,75	47,2	28000	5,520	25,-	3,50	10,19	31
047712266 ¹⁾	LL24	1 1/2	38,10	66,6	53200	13,150	34,5	5,-	14,63	27
047714266 ¹⁾	LL28	1 3/4	44,45	86,-	58800	19,000	37,-	6,60	15,90	23
047716266 ¹⁾	LL32	2	50,80	82,-	72800	17,760	42,-	6,20	17,81	19

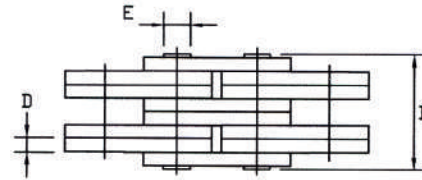
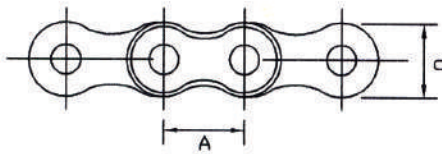
1) Price and supply possibilities, on request.

>>> Lifting chains

At www.rodavigo.net Family: Transmission chains
Product: Chain and accessories

Leaf chains. AL Series (ANSI Standard)

COMBINATIONS



2x2



Code ¹⁾	ISO standard	Pitch A	Pitch A	Max width on axles	Approx. breaking load	Weight per m.	Clamp width	Clamp thickness	Shaft diameter	Links per approx. meter
		Inch	mm							
ISO 4347 - AL Series										
047704022	AL4	1/2	12,70	8,8	1850	0,360	9,8	1,5	3,96	79
047705022	AL5	5/8	15,875	10,8	2900	3,590	13,-	2,-	5,08	63
047706022	AL6	3/4	19,05	12,6	3900	3,920	15,5	2,4	5,94	53
047708022	AL8	1	25,40	16,1	6700	1,450	20,-	3,2	7,92	39
047710022 ¹⁾	AL10	1 1/4	31,75	19,5	11000	2,760	25,3	4,-	9,53	31
047712022 ¹⁾	AL12	1 1/2	38,10	23,4	15500	3,600	30,5	4,8	11,10	27
047714022 ¹⁾	AL14	1 3/4	44,45	27,6	21000	4,020	35,4	5,6	12,70	23
047716022 ¹⁾	AL16	2	50,80	32,1	26500	6,460	40,8	6,35	14,27	19

1) Price and supply possibilities, on request.

4x4



Code	ISO standard	Pitch A	Pitch A	Max width on axles	Approx. breaking load	Weight per m.	Clamp width	Clamp thickness	Shaft diameter	Links per approx. meter
		Inch	mm							
ISO 4347 - AL Series										
047704044	AL4	1/2	12,70	15,1	3700	0,610	9,8	1,5	3,96	79
047705044	AL5	5/8	15,875	19,2	5800	1,160	13,-	2,-	5,08	63
047706044	AL6	3/4	19,05	22,6	7800	1,820	15,5	2,4	5,94	53
047708044	AL8	1	25,40	29,4	13400	2,860	20,-	3,2	7,92	39
047710044 ¹⁾	AL10	1 1/4	31,75	36,-	22000	5,350	25,3	4,-	9,53	31
047712044 ¹⁾	AL12	1 1/2	38,10	43,1	31000	6,930	30,5	4,8	11,10	27
047714044 ¹⁾	AL14	1 3/4	44,45	50,8	42000	8,960	35,4	5,6	12,70	23
047716044 ¹⁾	AL16	2	50,80	59,3	53000	10,680	40,8	6,35	14,27	19

1) Price and supply possibilities, on request.

6x6



Code	ISO standard	Pitch A	Pitch A	Max width on axles	Approx. breaking load	Weight per m.	Clamp width	Thickness flange	Shaft diameter	Links per approx. meter
		Inch	mm							
ISO 4347 - AL Series										
047704066	AL4	1/2	12,70	21,4	5500	1,010	9,8	1,5	3,96	79
047705066	AL5	5/8	15,875	27,6	8700	1,730	13,-	2,-	5,08	63
047706066	AL6	3/4	19,05	32,6	11700	2,710	15,5	2,4	5,94	53
047708066 ¹⁾	AL8	1	25,40	42,8	19900	4,270	20,-	3,2	7,92	39
047710066	AL10	1 1/4	31,75	52,5	33000	7,930	25,3	4,-	9,53	31
047712066 ¹⁾	AL12	1 1/2	38,10	62,9	46500	10,250	30,5	4,8	11,10	27
047714066 ¹⁾	AL14	1 3/4	44,45	74,-	63000	12,120	35,4	5,6	12,70	23
047716066 ¹⁾	AL16	2	50,80	86,5	79500	16,020	40,8	6,35	14,27	19

1) Price and supply possibilities, on request.

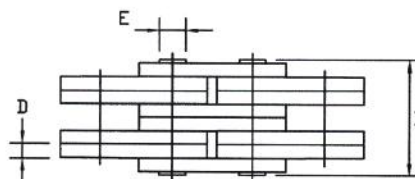
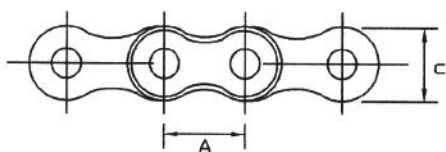


>>> Lifting chains

Leaf chains. LH Series (ISO 4347 - ANSI Standard)

At www.rodavigo.net

Family: Transmission chains
Product: Chain and accessories



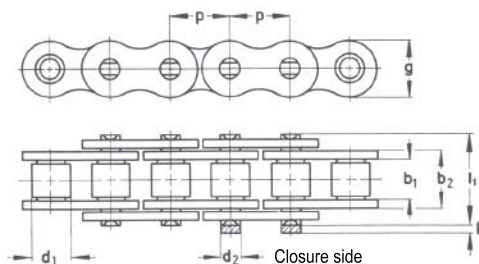
Code	ISO standard	Pitch A	Pitch A	2x3			COMBINATIONS 3x4			4x6			Clamp width	Clamp thickness	Shaft diameter	Links per approx. meter	
				Max width on axles	Approx. breaking load	Weight per m.	Max width on axles	Approx. breaking load	Weight per m.	Max width on axles	Approx. breaking load	Weight per m.					
				B	daN Δ	kg.	B	daN Δ	kg.	B	daN Δ	kg.	C	D	E		
				inch	mm	mm	mm	mm	mm	mm	mm	mm	mm				
				ISO 4347 - LH Series			ISO 4347 - LH Series			ISO 4347 - LH Series							
047704123	LH08	BL4	1/2	12,7	2700	0,740							11,-	2,-	5,08	79	
047705123	LH10	BL5	5/8	14,9	4100	1,100							14,8	2,4	5,96	63	
047706123	LH12	BL6	3/4	19,6	6100	1,800							18,-	3,2	7,92	53	
047708123	LH16	BL8	1	23,9	10700	2,850							23,-	4,-	9,53	39	
047710123 ¹⁾	LH20	BL10	1 1/4	29,0	14500	3,920							29,5	4,8	11,10	31	
047712123 ¹⁾	LH24	BL12	1 1/2	33,4	19000	5,830							35,3	5,6	12,70	27	
047714123 ¹⁾	LH28	BL14	1 3/4	38,2	24000	7,920							41,3	6,35	14,27	23	
047716123 ¹⁾	LH32	BL16	2	42,2	35800	10,200							47,5	7,15	17,45	19	
047704134	LH08	BL4	1/2				16,9	4050	1,020				11,-	2,-	5,08	79	
047705134	LH10	BL5	5/8				19,9	6150	1,530				14,8	2,4	5,96	63	
047706134	LH12	BL6	3/4				26,3	9150	2,450				18,-	3,2	7,92	53	
047708134	LH16	BL8	1				32,1	16050	3,960				23,-	4,-	9,53	39	
047710134	LH20	BL10	1 1/4				39,0	21750	5,480				29,5	4,8	11,10	31	
047712134 ¹⁾	LH24	BL12	1 1/2				45,2	28500	8,100				35,3	5,6	12,70	27	
047714134 ¹⁾	LH28	BL14	1 3/4				51,7	36000	10,930				41,3	6,35	14,27	23	
047716134 ¹⁾	LH32	BL16	2				57,2	53700	14,200				47,5	7,15	17,45	19	
047704146	LH08	BL4	1/2							23,2	5400	1,470	11,-	2,-	5,08	79	
047705146	LH10	BL5	5/8							27,4	8200	2,150	14,8	2,4	5,96	63	
047706146	LH12	BL6	3/4							36,4	12200	3,500	18,-	3,2	7,92	53	
047708146	LH16	BL8	1							44,6	21400	5,720	23,-	4,-	9,53	39	
047710146 ¹⁾	LH20	BL10	1 1/4							53,0	29000	7,650	29,5	4,8	11,10	31	
047712146 ¹⁾	LH24	BL12	1 1/2							63,9	38000	11,510	35,3	5,6	12,70	27	
047714146 ¹⁾	LH28	BL14	1 3/4							71,9	48000	15,600	41,3	6,35	14,27	23	
047716146 ¹⁾	LH32	BL16	2							79,5	71600	20,400	47,5	7,15	17,45	19	

1) Price and supply possibilities, on request.

>>> ISO ASA stainless roller chains



Stainless Steel "RF" Single Roller Chains



Code	Chains	Pitch p	Inside width b1 min.	Inside link width b2 max.	Roller Ø d1 max.	Bolt Ø d2 h9	Mesh width g max.	Oversize k max.	With on rivet l1 max.	Work surface f cm ²	Minimal breaking load FB min.	Weight q ≈ kg/m	Connecting elements and accessories Nr
042450RF ³⁾	450RF ³⁾	8	3	4,77	5	2,31	7,1	3,1	8,6	0,11	4000	0,18	4,7,11,12 ² ,15
04235RF ¹⁾³⁾	35RF ¹⁾³⁾	9,525	4,68	7,47	5,08	3,58	9,1	3,3	13,2	0,27	6000	0,35	
042331RF ³⁾	331RF ³⁾	12,7	3,3	5,8	7,75	3,66	9,9	1,5	10,2	0,21	7000	0,28	
042332RF ³⁾	332RF ³⁾	12,7	4,88	7,2	7,75	3,66	9,9	1,5	11,2	0,28	7000	0,33	
04240RF ³⁾	40RF ³⁾	12,7	7,85	11,15	7,95	3,96	12	3,9	17,8	0,44	10500	0,61	4,7,11,12 ² ,15
042462RF	462RF	12,7	7,75	11,3	8,51	4,45	11,8	3,9	17	0,5	12000	0,7	4,7,11,12,15
042501RF	501RF	15,875	9,65	13,28	10,16	5,08	14,7	4,1	19,6	0,67	14500	0,91	
042513RF	513RF	19,05	11,68	15,62	12,07	5,72	16,1	4,6	22,7	0,89	18500	1,18	4,7,11,12,15
04260RF ³⁾	60RF ³⁾	19,05	12,57	17,7	11,91	5,94	18	4,6	26,9	1,05	20000	1,58	4,7,11,12
042548RF ³⁾	548RF ³⁾	25,4	17,02	25,4	15,88	8,28	21	5,4	36,1	2,1	40000	2,5	4,7,11,12

1) Without roller (bushing chain).

2) For chains No. 450, 331, 332.40 RF Only with rivet bolt.

3) Wheels on request.

Stainless "RF" roller chains, "GL" series (with straight meshes)

Code	Chains	Pitch p	Inside width b1 min.	Inside link width b2 max.	Roller Ø d1 max.	Bolt Ø d2 h9	Mesh width g max.	Oversize k max.	With on rivet l1 max.	Work surface f cm ²	Minimal breaking load FB min.	Weight q ≈ kg/m	Connecting elements and accessories Nr
042455GL	455GL	9,525	5,72	8,53	6,35	3,28	8,2	3,3	13,5	0,28	7000	0,41	4,7,11,12 ² ,15
042462GL	462GL	12,7	7,75	11,3	8,51	4,45	11,5	3,9	17	0,5	12000	0,78	4,7,11,12,15
042501GL	501GL	15,875	9,65	13,28	10,16	5,08	14,2	4,1	19,6	0,67	14500	1,03	
042513GL	513GL	19,05	11,68	15,62	12,07	5,72	15,5	4,6	22,7	0,89	18500	1,29	
042548GL	548GL	25,4	17,02	25,4	15,88	8,28	24	5,4	36,1	2,1	40000	3,29	4,7,11,12
042548GLS	548GL	25,4	17,02	25,4	15,88	8,28	21	5,4	36,1	2,1	40000	2,9	

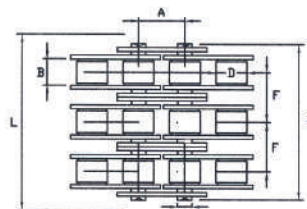
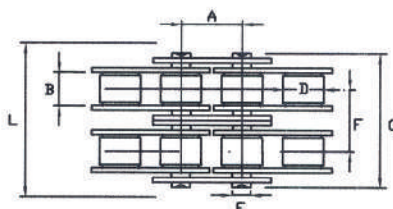
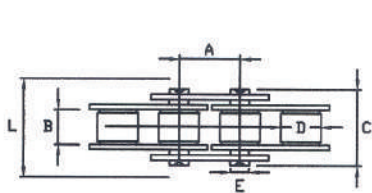
2 For No. 455 RF chain only with rivet bolt.



>>> ASA Steel Roller Chains

ISO 606 series roller chains

At www.rodavigo.net Family: Transmission Chains
Product: Chain and accessories



	Code	ISO standard	Min. inside width		Roller diameter		Shaft diameter	Max. width on axes	Min. side light	Row spacing	Surface of articulation	Approx. breaking load	Links per approx. meter	Weight per meter
			B	D	E	C	L	F	cm ²	daN Δ	mm	kg		
			inch	mm	mm	mm	mm	mm	mm	mm	cm ²	daN Δ	mm	kg
Simple chains	04725 ¹⁾	04C	1/4	6,35	3,18	3,30	2,31	8,-	12,50	-	0,11	450	157	0,140
	04735 ¹⁾	06C	3/8	9,525	4,77	5,08	3,59	11,90	17,50	-	0,27	1050	105	0,330
	04740	08A-1	1/2	12,70	7,95	7,92	3,96	16,30	21,50	-	0,45	1850	79	0,640
	04741	85	1/2	12,70	6,35	7,77	3,58	13,40	19,60	-	0,32	910	79	0,400
	04750	10A-1	5/8	15,875	9,53	10,16	5,08	20,10	26,50	-	0,71	2900	63	1,060
	04760 ²⁾	12A-1	3/4	19,05	12,70	11,91	5,94	28,-	32,-	-	0,97	3900	53	1,580
	04780 ²⁾	16A-1	1	25,40	15,88	15,88	7,92	35,30	44,50	-	1,76	6700	39	2,610
	047100 ²⁾	20A-1	1 1/4	31,75	19,05	19,05	9,53	43,40	55,50	-	2,58	11000	31	3,850
	047120 ²⁾	24A-1	1 1/2	38,10	25,40	22,23	11,10	53,40	67,-	-	3,90	15500	27	5,550
	047140 ²⁾	28A-1	1 3/4	44,45	25,40	25,40	12,70	56,50	74,-	-	4,67	21000	23	7,700
047160 ²⁾	32A-1	2	50,80	31,75	28,58	14,27	68,50	85,50	-	6,40	26500	19	10,000	
047200 ²⁾	40A-1	2 1/2	63,50	38,10	39,67	19,84	76,50	111,-	-	10,85	43000	15	16,690	
047240 ²⁾	48A-1	3	76,20	47,63	47,63	23,80	94,30	132,-	-	16,11	60000	13	25,170	
Double chains	0472035 ¹⁾	06C-2	3/8	9,525	4,77	5,08	3,59	22,-	28,50	10,13	2,54	2100	105	0,650
	0472040	08A-2	1/2	12,70	7,95	7,92	3,96	30,70	37,50	14,38	0,90	3700	79	1,280
	0472050	10A-2	5/8	15,875	9,53	10,16	5,08	38,20	46,50	18,11	1,42	5800	63	2,100
	0472060	12A-2	3/4	19,05	12,70	11,91	5,94	47,90	57,-	22,78	1,94	7800	53	3,150
	0472080	16A-2	1	25,40	15,88	15,88	7,92	61,40	77,-	29,29	3,60	13400	39	5,790
	0472100 ²⁾	20A-2	1 1/4	31,75	19,05	19,05	9,53	79,20	95,-	35,76	5,16	22000	31	7,700
	0472120 ²⁾	24A-2	1 1/2	38,10	25,40	22,23	11,10	98,90	117,-	45,44	7,80	31000	27	11,100
	0472140 ²⁾	28A-2	1 3/4	44,45	25,40	25,40	12,70	105,40	128,-	48,87	9,34	42000	23	15,400
	0472160 ²⁾	32A-2	2	50,80	31,75	28,58	14,27	127,10	150,-	58,55	12,80	53000	19	20,000
	0472200	40A-2	2 1/2	63,50	38,10	39,67	19,84	148,-	190,-	71,55	21,70	86000	15	33,000
0472240	48A-2	3	76,20	47,63	47,63	23,80	182,-	228,-	87,83	32,22	120000	13	50,000	
Triple chains	0473035 ¹⁾	06C-3	3/8	9,525	4,77	5,08	3,59	32,20	39,50	10,13	0,81	3150	105	0,950
	0473040	08A-3	1/2	12,70	7,95	7,92	3,96	45,10	53,50	14,38	1,35	5550	79	1,900
	0473050	10A-3	5/8	15,875	9,53	10,16	5,08	56,30	66,50	18,11	2,13	8700	63	3,140
	0473060	12A-3	3/4	19,05	12,70	11,91	5,94	70,70	82,-	22,78	2,91	11700	53	4,710
	0473080	16A-3	1	25,40	15,88	15,88	7,92	90,60	110,-	29,29	5,28	20100	39	7,760
	0473100 ²⁾	20A-3	1 1/4	31,75	19,05	19,05	9,53	115,-	134,-	35,76	7,74	33000	31	11,500
	0473120 ²⁾	24A-3	1 1/2	38,10	25,40	22,23	11,10	144,40	167,-	45,44	11,70	46500	27	16,600
	0473140 ²⁾	28A-3	1 3/4	44,45	25,40	25,40	12,70	154,30	181,50	48,87	18,-	63000	23	23,000
	0473160 ²⁾	32A-3	2	50,80	31,75	28,58	14,27	185,60	214,50	58,55	19,20	79500	19	30,000
	0473200 ²⁾	40A-3	2 1/2	63,50	38,10	39,67	19,84	219,50	268,-	71,55	32,55	129000	15	49,310
0473240 ²⁾	48A-3	3	76,20	47,63	47,63	23,80	270,-	325,-	87,83	48,33	180000	13	74,830	

1) Bushing chain. ISO 1395 standard

2) Also available in a detachable version, with a designation ending in 9 (69.89 ...). Dimensions C and L in the table corresponding to the type of demountable.

1 daN = 1 kg

Special series roller chains

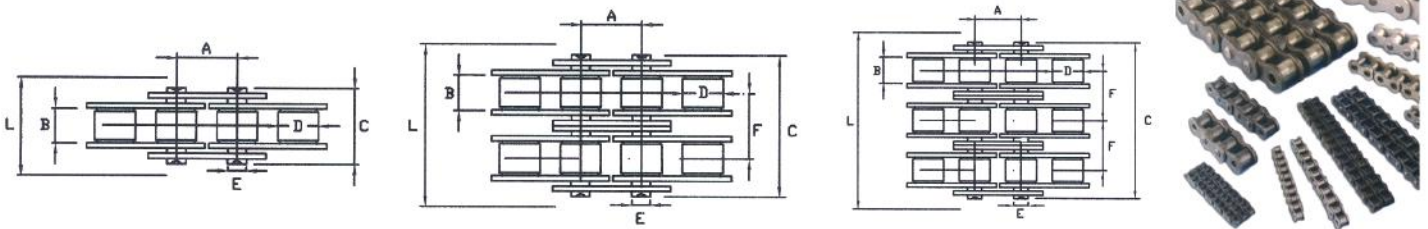
Code	Pitch A	Pitch A	Min. inside width		Roller diameter		Shaft diameter	Max. width on axes	Min. side light	Surface from joint	Approx. breaking load	Links per approx. meter	Weight per meter
			B	D	E	C	L	cm ²	daN Δ	mm	kg		
	inch	mm	mm	mm	mm	mm	mm	mm	mm	cm ²	daN Δ	mm	kg
04731	3/8	9,525	4,1	6,35	3,28	10,85	15,50	0,22	1000	105	0,360		
04736 ¹⁾	3/8	9,525	7,50	5,08	3,59	15,80	22,-	0,39	1300	105	0,460		
04737 ¹⁾	3/8	9,525	5,72	6,35	4,45	13,-	18,-	0,38	1000	105	0,44		
04738 ¹⁾	3/8	9,525	5,72	6,35	4,45	13,-	18,-	0,38	1000	105	0,44		
04739 ¹⁾	3/8	9,525	9,52	6,00	4,18	17,80	24,-	0,79	1180	105	0,620		
04748	1/2	12,70	6,40	7,75	4,18	15,-	20,-	0,39	1650	79	0,550		
04749	1/2	12,70	5,21	8,51	4,45	14,60	18,-	0,39	2000	79	0,720		
04751	5/8	15,875	6,48	10,16	5,08	16,-	21,-	0,51	2500	63	0,840		
04781	1	25,40	12,70	12,70	7,00	24,10	35,-	1,06	3900	39	1,330		

1) Bushing chain.

>>> ISO steel roller chains

At www.rodavigo.net Family: Transmission Chains
Product: Chain and accessories

ISO 606 series roller chains



	Code	ISO standard	Pitch A	Pitch A	Min. inside width	Roller diameter	Shaft diameter	Max. width on axes	Min. side light	Row spacing	Surface of articulation	Approx. breaking load	Links per approx. meter	Weight per meter
					B	D	E	C	L	F	cm ²	daN Δ	mm	kg
			inch	mm	mm	mm	mm	mm	mm	mm	cm ²	daN Δ	mm	kg
Simple chains	04726	04B-1	/	6	2,80	4	1,85	7,40	/	-	0,07	300	167	0,120
	04728	05B-1	0,315	8	3	5	2,31	8,50	11,-	-	0,10	550	125	0,180
	04732	06B-1	3/8	9,525	5,72	6,35	3,28	12,40	17,50	-	0,285	1000	105	0,400
	04742	08B-1	1/2	12,70	7,75	8,51	4,45	17,-	20,50	-	0,50	2000	79	0,720
	04743	81	1/2	12,70	3,30	7,75	3,66	9,70	15,40	-	0,21	1000	79	0,280
	04744	82	1/2	12,70	2,38	7,75	3,66	8,20	/	-	0,17	1000	79	0,250
	04746	83	1/2	12,70	4,88	7,75	4,09	12,30	17/50	-	0,34	1400	79	0,430
	04752	10B-1	5/8	15,875	9,65	10,16	5,08	19,-	24,50	-	0,68	2500	63	0,960
	04762	12B-1	3/4	19,05	11,68	12,07	5,72	22,-	28,-	-	0,90	3200	53	1,230
	04782	16B-1	1	25,40	17,02	15,88	8,28	34,60	44,50	-	2,12	6500	39	2,670
	047102	20B-1	1 1/4	31,75	19,56	19,05	10,19	40,10	58,50	-	2,94	10000	31	3,320
	047122	24B-1	1 1/2	38,10	25,40	25,40	14,63	53,20	76,-	-	5,54	19000	27	7,680
	047142	28B-1	1 3/4	44,45	30,99	27,94	15,90	64,60	90,-	-	7,40	21000	23	9,450
	047162	32B-1	2	50,80	30,99	29,21	17,81	64,40	95,50	-	8,-	26000	19	8,950
047202	40B-1	2 1/2	63,50	38,104	39,37	22,89	78,40	113,-	-	12,75	43000	15	16,040	
047242	48B-1	3	76,20	5,72	48,26	29,24	98,20	136,-	-	20,80	65000	13	25,310	
Double chains	0472028	05B-2	0,315	8	3	5	2,31	14,20	18,40	5,64	0,20	1050	125	0,350
	0472032	06B-2	3/8	9,525	5,72	6,35	3,28	22,70	28,-	10,24	0,57	1900	105	0,780
	0472042	08B-2	1/2	12,70	7,75	8,51	4,45	31,-	36,-	13,92	1,00	3800	79	1,400
	0472052	10B-2	5/8	15,875	9,65	10,16	5,08	35,70	42,50	16,59	1,36	4750	63	1,820
	0472062	12B-2	3/4	19,05	11,68	12,07	5,72	41,50	49,50	19,46	1,80	6100	53	2,44
	0472082	16B-2	1	25,40	17,02	15,88	8,28	66,50	79,50	31,88	4,24	12400	39	5,300
	0472102	20B-2	1 1/4	31,75	19,56	19,05	10,19	76,50	92,50	36,45	5,88	19000	31	6,590
	0472122	24B-2	1 1/2	38,10	25,40	25,40	14,63	101,60	129,-	48,36	11,08	36100	27	15,590
	0472142	28B-2	1 3/4	44,45	30,99	27,94	15,90	124,20	156,-	59,56	14,80	40000	23	18,800
	0472162	32B-2	2	50,80	30,99	29,21	17,81	123,-	160,-	58,55	16,-	49400	19	17,810
0472202	40B-2	2 1/2	63,50	38,104	39,37	22,89	150,70	193,-	72,29	25,50	81800	15	31,600	
0472242	48B-2	3	76,20	5,72	48,26	29,24	189,40	236,-	91,21	41,16	123000	13	50,000	
Triple chains	0473032	06B-3	3/8	9,525	5,72	6,35	3,28	32,90	39,50	10,24	0,85	2800	105	1,140
	0473042	08B-3	1/2	12,70	7,75	8,51	4,45	45,-	51,50	13,92	1,50	5600	79	2,070
	0473052	10B-3	5/8	15,875	9,65	10,16	5,08	52,30	61,-	16,59	2,05	7000	63	2,850
	0473062	12B-3	3/4	19,05	11,68	12,07	5,72	60,90	70-50	19,46	2,70	9000	53	3,630
	0473082	16B-3	1	25,40	17,02	15,88	8,28	98,40	114,50	31,88	6,36	18200	39	7,900
	0473102	20B-3	1 1/4"	31,75	19,56	19,05	10,19	112,90	138,50	36,45	8,82	28000	31	9,860
	0473122	24B-3	1 1/2"	38,10	25,40	25,40	14,63	149,90	182,-	48,36	16,62	53200	27	22,790
	0473142	28B-3	1 3/4"	44,45	30,99	27,94	15,90	183,80	221,50	59,56	22,20	58800	23	28,060
	0473162	32B-3	2	50,80	30,99	29,21	17,81	181,50	224,-	58,55	24,-	72800	19	26,580
	0473202	40B-3	2 1/2"	63,50	38,104	39,37	22,89	223,-	272,-	72,29	38,25	120000	15	47,160
0473242	48B-3	3	76,20	5,72	48,26	29,24	280,60	336,-	91,21	61,75	182000	13	74,690	

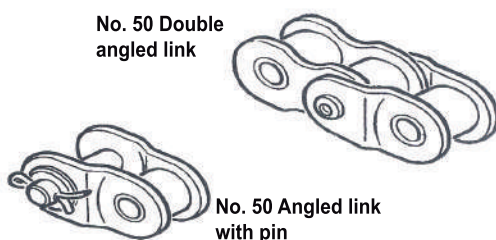


>>> Roller chains

ISO connecting link

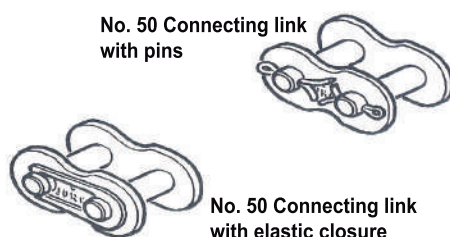
At www.rodavigo.net Family: Transmission Chains
Product: Chain and accessories

Code	Description	Code	Description	Code	Description
04726U	26 04 B-1 SIMPLE	0472028U	2028 05 B-2 DOUBLE	0473032U	3032 3/8 TRIPLE
04728U	28 05 B-1 SIMPLE	0472032U	2032 06 B-2 DOUBLE	0473042U	3042 1/2 TRIPLE
04732U	32 3/8 SIMPLE	0472042U	2042 1/2 DOUBLE	0473052U	3052 5/8 TRIPLE
04742U	42 1/2 SIMPLE	0472052U	2052 5/8 DOUBLE	0473062U	3062 3/4 TRIPLE
04743U	43 1/2 SIMPLE	0472062U	2062 3/4 DOUBLE	0473082U	3082 1' TRIPLE
04746U	46 1/2 SIMPLE	0472082U	2082 1' DOUBLE	0473102U	3102 1' 1/4 TRIPLE
04752U	52 5/8 SIMPLE	0472102U	2102 1' 1/4 DOUBLE	0473122U	3122 1' 1/2 TRIPLE
04762U	62 3/4 SIMPLE	0472122U	2122 1' 1/2 DOUBLE	0473142U	3142 1' 3/4 TRIPLE
04782U	82 1' SIMPLE	0472142U	2142 1' 3/4 DOUBLE	0473162U	3162 2' TRIPLE
047102U	102 1' 1/4 SIMPLE	0472162U	2162 2' DOUBLE	0473202U	3202 2' 1/2 TRIPLE
047122U	122 1' 1/2 SIMPLE	0472202U	2202 2' 1/2 DOUBLE	0473242U	3242 3' TRIPLE
047142U	142 1' 3/4 SIMPLE	0472242U	2242 3' DOUBLE		
047162U	162 2' SIMPLE				
047202U	202 2' 1/2 SIMPLE				
047242U	242 3' SIMPLE				



ASA connecting link

Code	Description	Code	Description	Code	Description
04725U	25 1/4 SIMPLE	0472035U	2035 3/8 DOUBLE	0473035U	TRIPLE ASA 3/8 *3035
04735U	35 3/8 SIMPLE	0472040U	2040 1/2 DOUBLE	0473040U	3040 1/2 TRIPLE
04740U	40 1/2 SIMPLE	0472050U	2050 5/8 DOUBLE	0473050U	3050 5/8 TRIPLE
04750U	50 5/8 SIMPLE	0472060U	2060 3/4 DOUBLE	0473060U	3060 3/4 TRIPLE
04760U	60 3/4 SIMPLE	0472080U	2080 1' DOUBLE	0473080U	3080 1' TRIPLE
04780U	80 1' SIMPLE	0472100U	2100 1' 1/4 DOUBLE	0473100U	3100 ASA 1' 1/4 TRIPLE
047100U	100 1' 1/4 SIMPLE	0472120U	2120 1' 1/2 DOUBLE	0473120U	3120 1' 1/2 TRIPLE
047120U	120 1' 1/2 SIMPLE	0472140U	2140 1' 3/4 DOUBLE	0473140U	3140 1' 3/4 TRIPLE
047140U	140 1' 3/4 SIMPLE	0472160U	2160 2' DOUBLE	0473160U	3160 2' TRIPLE
047160U	160 2' SIMPLE	0472200U	2200 2' 1/2 DOUBLE	0473200U	3200 2' 1/2 TRIPLE
047200U	200 2' 1/2 SIMPLE				

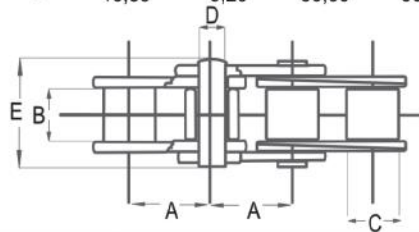


>>> ISO ASA Roller Chains

At www.rodavigo.net Family: Transmission Chains
Product: Chain and accessories

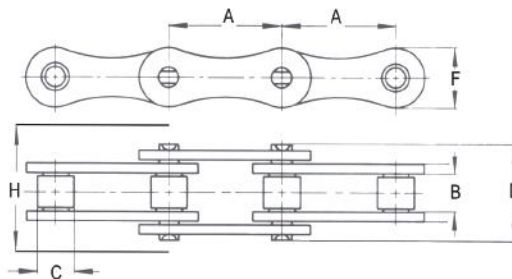
Bushing chains with hollow shafts

Code	Pitch A	Pitch A	Min. interior width B	Diameter		Min. inside diameter of the hollow shaft D	Max. width on axes E	Approx. breaking load daN Δ	Weight per meter kg.
	inch	mm		roller C	bushing C				
04742031	1/2	12,7	7,75	-	8,51	4,00	15,45	1200	0,58
04742030	1/2	12,7	7,75	-	8,51	4,50	15,45	1200	0,53
04752030	5/8	15,88	9,65	10,16	-	5,13	19,30	1700	0,80
04750030	5/8	15,88	9,53	-	10,16	5,16	19,70	1800	0,91
04760030	3/4	19,05	12,70	-	11,71	5,97	26,00	2700	1,32
04760130	3/4	19,05	12,57	11,91	-	5,00	26,30	2000	1,32
04780030	1	25,40	15,88	-	15,88	7,97	35,50	5000	2,40
04782030	1	25,40	17,02	-	15,88	8,20	35,30	5000	2,45

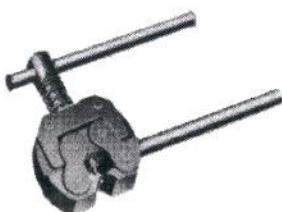


Long pitch roller chains

Code	ISO standard	Pitch A	Pitch A	Min. interior width B	Ø of roller C	Shaft diameter E	Max. width on axes D	Min. side light H	Max. clamp width F	Surface of articulation cm2	Approx. breaking load daN Δ	Links per approx. meter	Weight per meter kg.
		inch	mm										
04783	208B	1	25,40	7,75	8,51	4,45	17	23,10	11,80	0,50	2000	39	0,490
047103	210B	1 1/4	31,75	9,65	10,16	5,08	19	25,60	14,70	0,68	2500	31	0,630
047123	212B	1 1/2	38,10	11,68	12,07	5,72	22	30,80	16,10	0,90	3200	27	0,830
047163	216B	2	50,80	17,02	15,88	8,28	34,6	47,60	21	2,12	6500	19	1,740
Norma ASA													
04784	208A	1	25,40	7,95	7,92	3,96	16,30	22,20	11,80	0,45	1850	39	0,450
047104	210A	1 1/4	31,75	9,53	10,16	5,08	20,10	26,70	14,70	0,71	2900	31	0,700
047124	212A	1 1/2	38,10	12,70	11,91	5,94	25,10	34,10	16,10	0,97	3900	27	1,210
047164	216A	2	50,80	15,88	15,88	7,92	32,10	44,50	21	1,76	6700	19	1,630



Chain extractors



Code

0479130H For chains from 3/8 "to 5/8" pitch.



Code

0479160H For chains from 3/4 "to 1" 1/4 "pitch.

>>> ISO ASA stainless roller chains

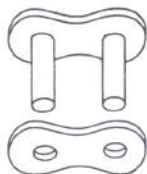


At www.rodavigo.net Family: Transmission Chains
Product: Wippermann chain

Connecting elements and accessories:



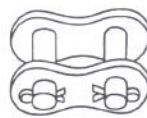
Nr-4
Inner link



Nr-7
Outer link
(rivet)



Nr-11
Connecting link
with crossbow



Nr-111
Connecting link
with pin



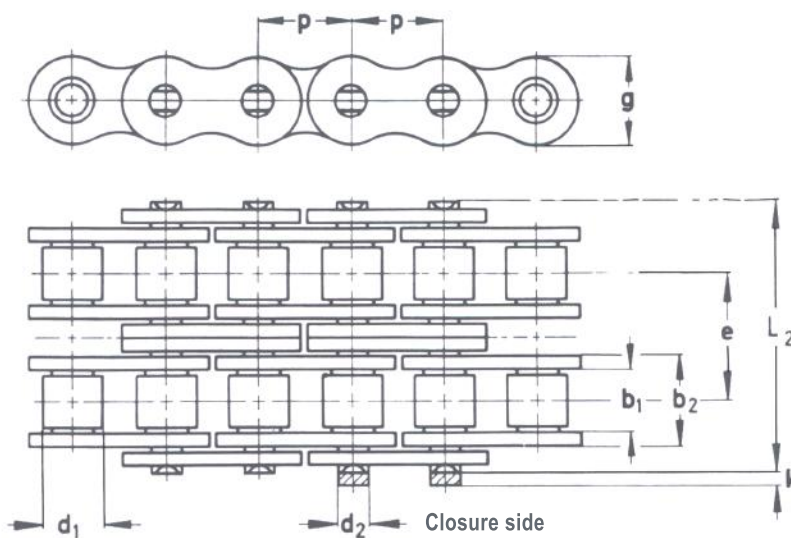
Nr-12
Angled link
with pins



Nr-15
Double angled
link

GL series double and triple chain, on request

Stainless Steel "RF" Double Roller Chains



Code	Chains	Pitch p	Inside width b1 min.	Inside link width b2 max.	Roller Ø d1 max.	Bolt Ø d2 h9	Transverse pitch e	Mesh width g max.	Oversize k max.	With on rivet L2 max. cm ²	Work surface f N	Minimal breaking load FB min. kg/m	Weight q ≈	Connecting elements and accessories
	Nr	mm	mm	mm	mm	mm	mm	mm	mm	mm	N	kg/m		
042D450RF	D450RF	8	3	4,77	5,0	2,31	5,64	7,1	3,1	14,3	0,22	6800	0,36	4,7,11,15
042D455RF	D455'RF	9,525	5,72	8,53	6,35	3,28	10,24	8,2	3,3	23,8	0,56	11900	0,78	4,7,11,15
042D462RF	D462RF	12,7	7,75	11,3	8,51	4,45	13,92	11,8	3,9	31	1,01	20400	1,36	4,7,11,12,15
042D501RF	D501RF	15,875	9,65	13,28	10,16	5,08	16,59	14,7	4,1	36,2	1,34	24650	1,82	4,7,11,12,15
042D513RF	D513RF	19,05	11,68	15,62	12,07	5,72	19,46	16,1	4,6	42,2	1,79	31450	2,38	4,7,11,12,15
042602RF	60-2RF	19,05	12,57	17,7	11,91	5,94	22,78	18	4,6	49,8	2,1	34000	3,14	4,7,11,12
042D548RF	D548RF	25,4	17,02	25,4	15,88	8,28	31,88	21,0	5,4	68	4,21	68000	5,1	4,7,11,12

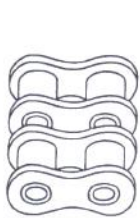
1) With straight meshes.



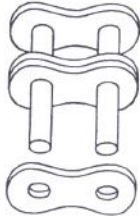
>>> ISO ASA stainless roller chains

Connecting elements and accessories:

At www.rodavigo.net Family: Transmission Chains
Product: Wippermann chain



Nr-4
Inner link



Nr-7
Outer link
(rivet)



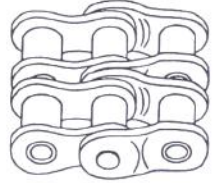
Nr-11
Connecting link
with crossbow



Nr-111
Connecting link
with pin



Nr-12
Angled link
with pins

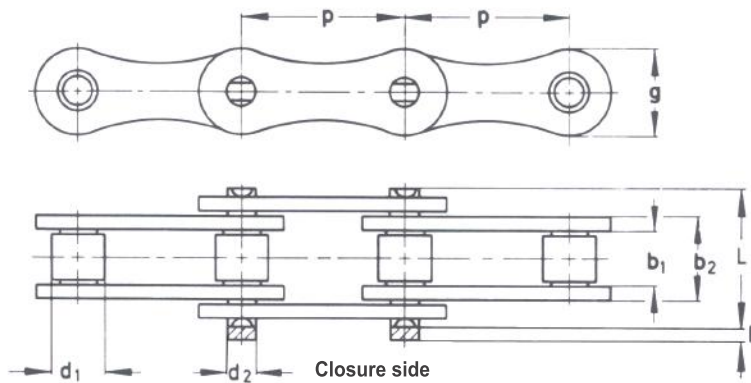


Nr-15
Double angled
link

Triple stainless steel "RF" roller chain, on request

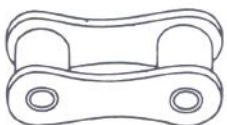
Stainless steel or plastic platewheels on request

Stainless Steel "RF" Long Pitch Roller Chains



Code	Chains	Pitch p	Inside width b1 min.	Inside link width b2 max.	Roller Ø d1 max.	Bolt Ø d2 h9	Mesh width g max.	On- measure k max.	With on rivet L max.	Work surface f cm ²	Minimal breaking load FB min.	Weight q ≈ kg/m
042713RF	713RF	25,4	7,75	11,3	8,51	4,45	11,8	3,9	17,0	0,50	12000	0,48
042717RF	717RF	31,75	9,65	13,28	10,16	5,08	14,7	4,1	19,6	0,67	14500	0,55
042722RF	722RF	38,1	11,68	15,62	12,07	5,72	16,1	4,6	22,7	0,89	18500	0,80
042728RF	728RF	50,8	17,02	25,4	15,88	8,28	21	5,4	36,1	2,10	40000	1,74

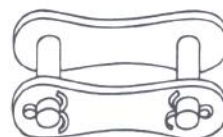
Connecting elements and accessories:



Nr-4
Inner link



Nr-7
Outer link



Nr-111
Connecting link with pins
(for chain n°713, with crossbow)



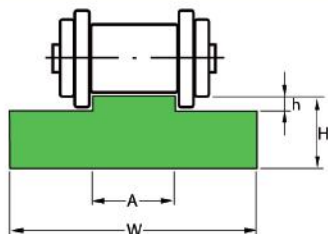
Nr-12
Angled link



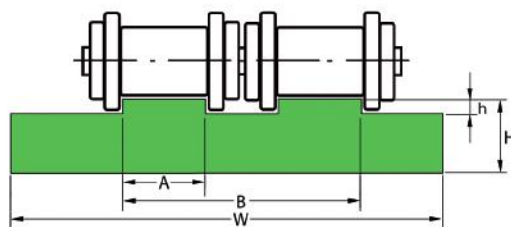
>>> Roller chain guides

Chain guides

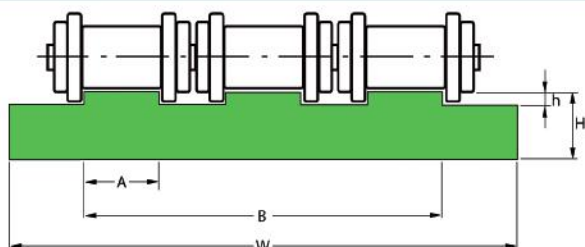
At www.rodavigo.net Family: Transmission chains
Product: Chain and accessories



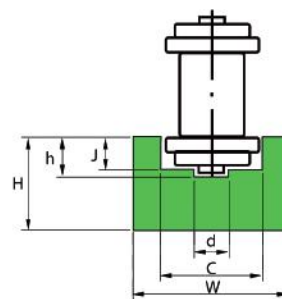
Code	ISO	Pitch	W	H	A	h	Kg./m.
047YS1	06B1	3/8"	15	10	5,4	1,5	0,135
047YS2	08B1	1/2"	20	10	7,4	2,2	0,185
047YS3	10B1	5/8"	20	10	9,2	2,6	0,160
047YS315	10B1	5/8"	20	15	9,2	2,6	0,260
047YS4	12B1	3/4"	25	10	11,3	2,4	0,210
047YS415	12B1	3/4"	25	15	11,3	2,4	0,325
047YS5	16B1	1"	40	15	16,5	3,5	0,470
047YS520	16B1	1"	40	20	16,5	3,5	0,660
047YS6	20B1	1 1/4"	45	15	19	4,3	0,530
047YS620	20B1	1 1/4"	45	20	19	4,3	0,720
047YS7	24B1	1 1/2"	60	15	24,6	5,6	0,786
047YS8	28B1	1 3/4"	75	20	30	6,9	1,130
047YS9	32B1	2"	86	20	30	7,8	1,210



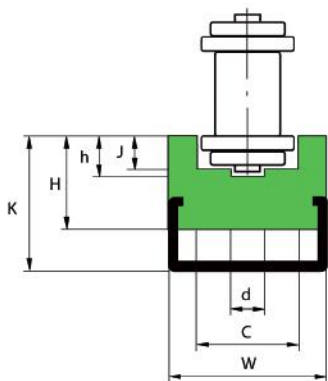
Code	ISO	Pitch	W	H	A	h	B	Kg./m.
047YD1	06B2	3/8"	25	10	5,4	1,5	16	0,230
047YD2	08B2	1/2"	35	10	7,4	2,2	21	0,306
047YD3	10B2	5/8"	40	10	9,2	2,6	26	0,344
047YD315	10B2	5/8"	40	15	9,2	2,6	26	0,524
047YD4	12B2	3/4"	45	10	11,3	2,4	31	0,396
047YD415	12B2	3/4"	45	15	11,3	2,4	31	0,598
047YD5	16B2	1"	48	15	16,5	3,5	48	0,863
047YD520	16B2	1"	48	20	16,5	3,5	48	1,156
047YD6	20B2	1 1/4"	55	15	19	4,3	54,5	0,912
047YD620	20B2	1 1/4"	55	20	19	4,3	54,5	1,232
047YD7	24B2	1 1/2"	72	20	24,6	5,6	72	1,499
047YD8	28B2	1 3/4"	89	20	30	6,9	89	1,790
047YD9	32B2	2"	89	20	30	7,8	89	1,750



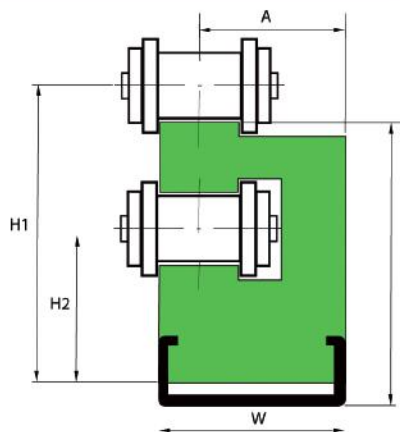
Code	ISO	Pitch	W	H	A	h	B	Kg./m.
047YT1	06B3	3/8"	35	10	5,4	1,5	25,9	0,306
047YT2	08B3	1/2"	45	10	7,4	2,2	35,3	0,381
047YT215	08B3	1/2"	45	15	7,4	2,2	35,3	0,595
047YT220	08B3	1/2"	45	20	7,4	2,2	35,3	0,808
047YT3	10B3	5/8"	55	10	9,2	2,6	42,5	0,455
047YT4	12B3	3/4"	65	10	11,3	2,4	50,3	0,546
047YT5	16B3	1"	95	15	16,5	3,5	80,3	1,167
047YT6	20B3	1 1/4"	92	15	19,0	4,3	92,0	1,304
047YT7	24B3	1 1/2"	121	20	24,6	5,6	121,5	2,247
047YT8	28B3	1 3/4"	149	25	30,0	6,9	149,3	3,522
047YT9	32B3	2"	149	30	30,0	7,8	149,3	4,262



Code	ISO	Pitch	W	H	C	h	J	d	Kg./m.
047YU1	06B	3/8"	20	15	9,2	4,2	2,8	4	0,257
047YU2	08B	1/2"	25	15	12,7	4,8	3,5	5	0,308
047YU3	10B	5/8"	25	15	15,2	5,1	3,6	6	0,296
047YU4	12B	3/4"	25	20	16,7	5,7	3,9	7	0,403
047YU5	16B	1"	35	25	24,4	10	8,4	9	0,624



Code	ISO	Pitch	W	H	K	h	J	d	Guide	Kg./m.
047YUCG1	06B	3/8"	20	10	15	4,2	2,8	4	C2010	0,720
047YUCG2	08B	1/2"	25	15	22	4,8	3,5	5	C2812	1,140
047YUCG3	10B	5/8"	25	15	22	5,1	3,6	6	C2812	1,130
047YUCG4	12B	3/8"	25	20	27	5,7	3,9	7	C2812	1,270
047YUCG5	16B	1"	35	25	33	10	8,4	9	C3818	2,030



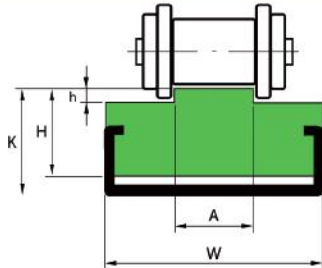
Code	ISO	Pitch	W	H1	H2	A	K	Guide	Kg./m.
047Y2PCG1	06B1	3/8"	20	30	17	14,5	27	C2010	0,900
047Y2PCG2	08B1	1/2"	20	34	18	16,5	30	C2010	0,960
047Y2PCG3	10B1	5/8"	20	41	21	15,5	36	C2010	1,120
047Y2PCG4	12B1	3/4"	28	46,5	24	18,6	41	C2812	1,700
047Y2PCG5	16B1	1"	38	62	34	25	54	C3818	3,100

>>> Roller chain guides

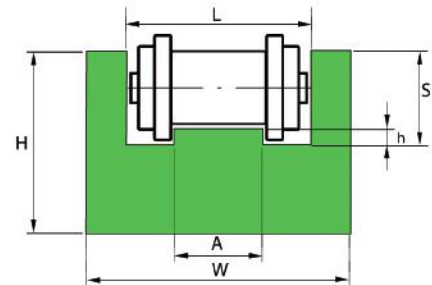
At www.rodavigo.net

Family: Transmission chains
Product: Chain and accessories

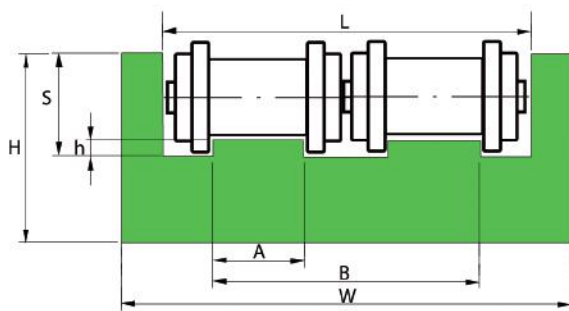
Chain guides



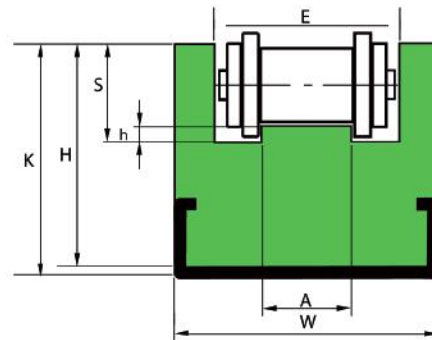
Code	ISO	Pitch	W	H	K	h	A	Guide	Kg./m.
047YTCG1	06B1	3/8"	20	15	17	1,5	5,4	C2010	0,620
047YTCG2	08B1	1/2"	20	15	17	2,2	7,4	C2010	0,695
047YTCG3	10B1	5/8"	20	15	17	2,6	9,2	C2010	0,700
047YTCG4	12B1	3/4"	20	15	18	2,4	11,3	C2010	1,170
047YTCG5	16B1	1"	20	20	24	3,5	16,5	C2812	2,246
047YTCG6	20B1	1 1/4"	38	25	30	4,3	19,0	C3818	2,306
047YTCG7	24B1	1 1/2"	38	25	30	5,6	24,6	C3818	2,390
047YTCG8	28B1	1 3/4"	38	25	30	6,9	30	C3818	2,410
047YTCG9	32B1	2"	38	25	30	7,8	30	C3818	2,480



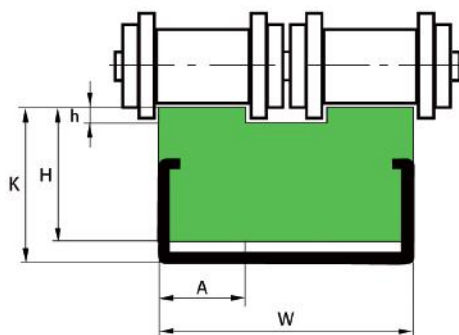
Code	ISO	Pitch	W	H	L	h	A	S	Kg./m.
047YUC1	06B1	3/8"	25	10	15	1,5	5,4	4,4	0,170
047YUC2	08B1	1/2"	30	15	20	2,2	7,4	7,2	0,275
047YUC3	10B1	5/8"	33	20	23	2,6	9,2	9,5	0,405
047YUC4	12B1	3/4"	38	20	28	2,4	11,3	11,1	0,410
047YUC5	16B1	1"	51	25	41	3,5	16,5	16,5	0,510



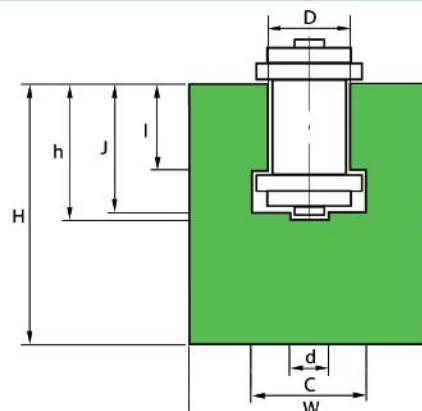
Code	ISO	Pitch	W	H	L	h	A	S	Kg./m.
047YUCD1	06B2	3/8"	36	15	26	1,5	5,4	4,4	0,390
047YUCD2	08B2	1/2"	45	20	35	2,2	7,4	7,2	0,620
047YUCD3	10B2	5/8"	50	25	40	2,6	9,2	9,5	0,816
047YUCD4	12B2	3/4"	56	25	46	2,4	11,3	11,1	0,810
047YUCD5	16B2	1"	85	30	75	3,5	16,5	16,5	1,200



Code	ISO	Pitch	W	H	K	L	h	A	S	Guide	Kg./m.
047YUCCG1	06B1	3/8"	25	15	18	15	1,5	5,4	4,4	C2010	0,760
047YUCCG2	08B1	1/2"	30	25	27	20	2,2	7,4	7,2	C2812	1,100
047YUCCG3	10B1	5/8"	33	30	32	23	2,6	9,2	9,5	C2812	1,305
047YUCCG4	12B1	3/4"	38	35	38	28	2,4	11,3	11,1	C3818	2,335
047YUCCG5	16B1	1"	51	40	45	41	3,5	16,5	16,5	C3818	2,440



Code	ISO	Pitch	W	H	K	h	A	Guide	Kg./m.
047YTCGD1	06B2	3/8"	15,5	10	15	1,5	5,4	C2010	0,615
047YTCGD2	08B2	1/2"	21,5	10	17	2,2	7,4	C2010	0,715
047YTCGD3	10B2	5/8"	26	15	17	2,6	9,2	C2812	1,165
047YTCGD4	12B2	3/4"	30,7	15	18	2,4	11,3	C2812	1,200

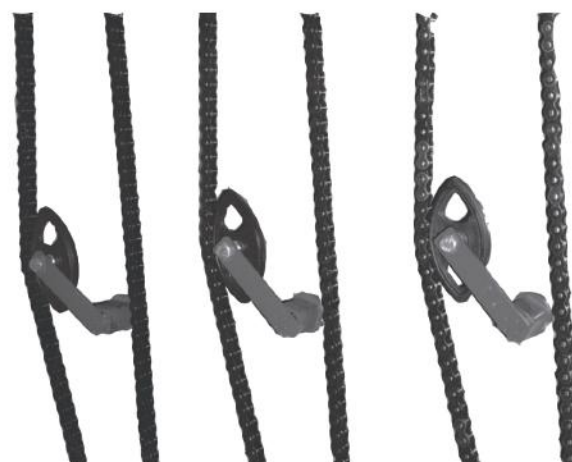


Code	ISO	Pitch	W	H	C	h	i	d	J	D	Kg./m.
047YGH1	06B	3/8"	20	25	9,3	10	5,6	4	8,7	6,6	0,414
047YGH2	08B	1/2"	24	30	12,8	12,7	7,6	5	11,5	8,7	0,564
047YGH3	10B	5/8"	30	35	15,4	14,8	9,5	6	13,5	10,4	0,832
047YGH4	12B	3/4"	40	35	16,9	17,5	11,5	7	15,9	12,3	1,106
047YGH5	16B	1"	40	45	24,4	26,8	16,9	9	25,7	16,1	1,231
047YGH6	20B	1 1/4"	50	50	27,5	31,2	19,4	11	29,3	19,3	1,726
047YGH7	24B	1 1/2"	60	60	36,5	40,1	25,2	16	38,2	25,7	2,332
047YGH8	28B	1 3/4"	70	70	41,5	48,9	30,8	17	46,9	28,3	3,173
047YGH9	32B	2"	75	75	44,5	53,0	30,8	19	47,3	29,6	3,264

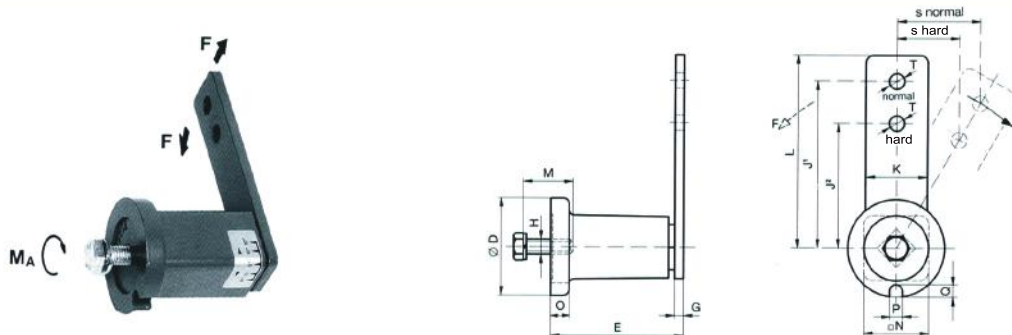


At www.rodavigo.net Family: Transmission Chains
Product: Rosta chain tensioners

>>> **Automatic chain tensioners**



Automatic tensioners. Standard mounting: types SE, SE-G and SE-W

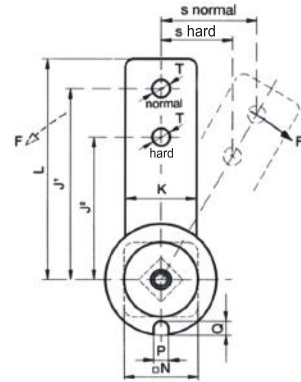
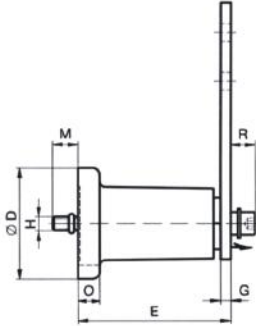
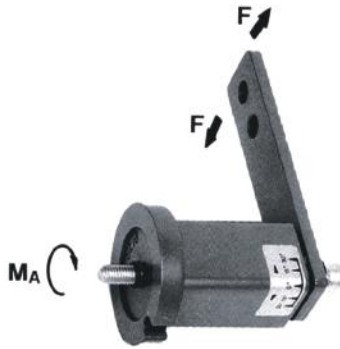


Technical data

Dimensions

Code ¹⁾	Reference	F max. in N for position		s. max.		Torque M _A in Nm	Weight kg	Dimensions																
		normal (J1)	hard (J2)	Normal	Hard			D	E	G	H	J ₁	J ₂	K	L	M	N	O	P	Q	T			
029SE11	06011001	80	106	40	30	10	0,20																	
029SE11G	06013201	80	106	40	30	10	0,20	35	51 ⁺¹ _{-0,5}	5	M6	80	60	20	90	20	22	6	8	5	8,5			
029SE15	06011002	135	168	50	40	25	0,40																	
029SE15G	06013202	135	168	50	40	25	0,40	45	64 ⁺¹ _{-0,5}	5	M8	100	80	25	112,5	25	30	8	8,5	6	10,5			
029SE15W	06015002	81	101	50	40	25	0,40																	
029SE18	06011003	350	437	50	40	49	0,60																	
029SE18G	06013203	350	437	50	40	49	0,60	58	78 ⁺¹ _{-0,5}	6	M10	100	80	30	115	30	35	10,5	8,5	8	10,5			
029SE18W	06015003	210	262	50	40	49	0,60																	
029SE27	06011004	800	1040	65	50	86	1,70																	
029SE27G	06013204	800	1040	65	50	86	1,70	78	107 ⁺² _{-0,5}	7	M12	130	100	50	155	40	52	15	10,5	10	12,5			
029SE27W	06015004	480	624	65	50	86	1,70																	
029SE38	06011005	1500	1875	87,5	70	210	3,55																	
029SE38G	06013205	1500	1875	87,5	70	210	3,55	95	140 ⁺² _{-0,5}	10	M16	175	140	60	205	40	66	15	12,5	12	20,5			
029SE38W	06015005	900	1125	87,5	70	210	3,55																	
029SE45	06011006	2600	3250	112,5	90	410	6,40																	
029SE45G	06013206	2600	3250	112,5	90	410	6,40	115	200 ⁺³ ₋₁	12	M20	225	180	70	260	50	80	18	12,5	12	20,5			
029SE45W	06015006	1560	1950	112,5	90	410	6,40																	
029SE50	06011007	4000	5000	125	100	750	9,00																	
029SE50G	06013207	4000	5000	125	100	750	9,00	130	210 ⁺³ ₋₁	20	M24	250	200	80	290	60	78	20	17	17	20,5			
029SE50W	06015007	2400	3000	125	100	750	9,00																	

¹⁾Type SE: standard quality - painted with protective plate
 Type SE-G: oil resistant - galvanized with yellow dot
 Type SE-W: temperature resistant - painted with red dot protective lacquer

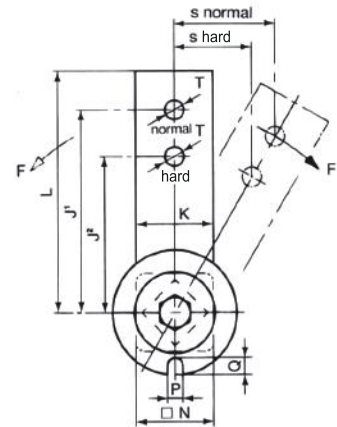
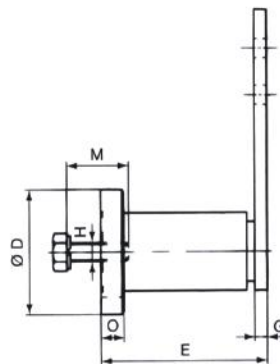
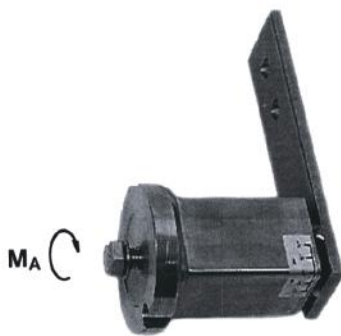


Technical data

Dimensions

Code	Reference	F max. in N for position		s. max.		Torque MA in Nm	Weight kg	Dimensions														
		normal (J1)	hard (J2)	Normal	Hard			D	E	G	H	J ₁	J ₂	K	L	M	N	O	P	Q	R	T
029SEF15	06061002	135	168	50	40	17	0,40	45	64 ⁺¹ _{-0,5}	5	M6	100	80	25	112,5	12,4	30	8	8,5	6	10	10,5
029SEF18	06061003	350	437	50	40	41	0,65	58	78 ⁺¹ _{-0,5}	6	M8	100	80	30	115	18,9	35	10,5	8,5	8	12	10,5
029SEF27	06061004	800	1040	65	50	83	1,85	78	107 ⁺² _{-0,5}	7	M10	130	100	50	155	17,5	52	15	10,5	10	16	12,5
029SEF38	06061005	1500	1875	87,5	70	145	3,70	95	140 ⁺² _{-0,5}	10	M12	175	140	60	205	18,0	66	15	12,5	12	19	20,5
029SEF45	06061006	2600	3250	112,5	90	355	6,90	115	200 ⁺³ ₋₁	12	M16	225	180	70	260	33,0	80	18	12,5	12	27	20,5
029SEF50	06061007	4000	5000	125	100	690	10,10	130	210 ⁺³ ₋₁	20	M20	250	200	80	290	23,0	78	20	17	17	28	20,5

Automatic tensioners: stainless SE-I type



Technical data

Dimensions

Code	Reference	F max. in N for position		s. max.		Torque MA in Nm	Weight kg	Dimensions													
		normal (J1)	hard (J2)	Normal	Hard			D	E	G	H	J ₁	J ₂	K	L	M	N	O	P	Q	T
029SEI15	06071101	150	185	50	40	25	0,35	45	64	5	M8	100	80	25	112,5	25	25	8	8,5	6	10,5
029SEI20	06071102	400	500	50	40	49	0,70	60	78	6	M10	100	80	35	112,5	30	35	10	8,5	8	10,5
029SEI30	06071103	860	1120	65	50	86	1,92	80	107	8	M12	130	100	50	155	40	50	15	10,5	10	12,5
029SEI40	06071104	1500	1880	87,5	70	210	4,29	100	140	10	M16	175	140	70	205	40	70	15	12,5	12	20,5



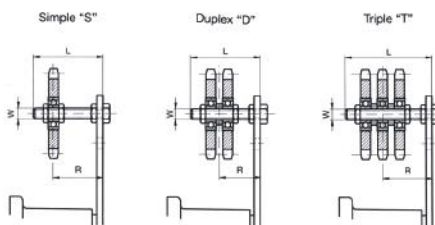
>>> Chain tensioners



Sprocket Set: Type N

At www.rodavigo.net

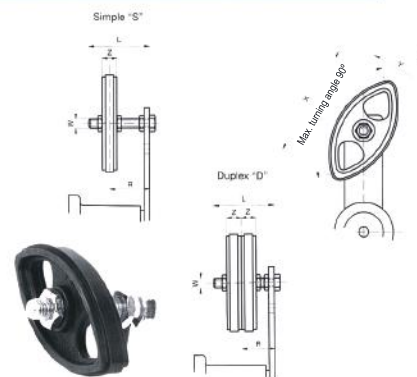
Family: Transmission Chains
Product: Rosta chain tensioners



Code	Reference	Chain DIN 8187	Number of teeth	W	L	Side adjustment R	Tensor Type	Weight in Kg
Simple "S"								
029N3810S	06510001	ISO 06 B-1	15	M10	55	22 - 43/23 - 43	SE/SE-F 15 or 18	0,15
029N1210S	06510002	ISO 08 B-1	15	M10	55	23 - 44	SE/SE-F 18	0,20
029N5812S	06510003	ISO 10 B-1	15	M12	80	27 - 65	SE/SE-F 27	0,35
029N3412S	06510004	ISO 12 B-1	15	M12	80	27 - 65	SE/SE-F 27	0,55
029N3420S	06510005	ISO 12 B-1	15	M20	100	40 - 80	SE/SE-F 38	0,85
029N10020S	06510006	ISO 16 B-1	13	M20	100	40 - 80	SE/SE-F 38	1,25
029N11420S	06510007	ISO 20 B-1	13	M20	100	40 - 80/48 - 80	SE/SE-F 45 or 50	2,00
029N11220S	06510008	ISO 24 B-1	11	M20	140	40 - 120/48 - 120	SE/SE-F 45 or 50	2,35
Duplex "D"								
029N3810D	06520001	ISO 06 B-2	15	M10	55	27 - 39/28 - 39	SE/SE-F 15 or 18	0,20
029N1210D	06520002	ISO 08 B-2	15	M10	55	30 - 37	SE/SE-F 18	0,35
029N5812D	06520003	ISO 10 B-2	15	M12	80	36 - 57	SE/SE-F 27	0,60
029N3412D	06520004	ISO 12 B-2	15	M12	80	37 - 56	SE/SE-F 27	1,05
029N3420D	06520005	ISO 12 B-2	15	M20	120	50 - 90	SE/SE-F 38	1,35
029N10020D	06520006	ISO 16 B-2	13	M20	120	55 - 84	SE/SE-F 38	2,10
029N11420D	06520007	ISO 20 B-2	13	M20	140	60 - 120/68 - 120	SE/SE-F 45 or 50	3,60
029N11220D	06520008	ISO 24 B-2	11	M20	140	65 - 97/73 - 97	SE/SE-F 45 or 50	4,25
Triplex "T"								
029N3810T	06530001	ISO 06 B-3	15	M10	70	33 - 48	SE/SE-F 18	0,25
029N1212T	06530002	ISO 08 B-3	15	M12	80	41 - 51	SE/SE-F 27	0,50
029N5812T	06530003	ISO 10 B-3	15	M12	80	43 - 50	SE/SE-F 27	0,95
029N5820T	06530004	ISO 12 B-3	15	M20	120	56 - 84	SE/SE-F 38	1,25
029N3420T	06530005	ISO 12 B-3	15	M20	120	59 - 80	SE/SE-F 38	1,50
029N10020T	06530006	ISO 16 B-3	13	M20	160	74 - 108	SE/SE-F 45	2,90
029N11420T	06530007	ISO 20 B-3	13	M20	160	78 - 105/86 - 105	SE/SE-F 45 or 50	5,20
029N11220T	06530008	ISO 24 B-3	11	M20	180	90 - 111/98 - 111	SE/SE-F 45 or 50	6,20

Chain Rider Set: Type P

Code	Reference	Chain DIN 8187	W	L	X	Y	Z	Side adjustment R	Tensor Type	Weight in Kg
Simple "S"										
029P388S	06550001	ISO 06 B-1	M8	45	74	40	10,2	19 - 34	SE 11	0,05
029P1210S	06550002	ISO 08 B-1	M10	55	96	50	13,9	23 - 41	SE/SE-F 15	0,10
029P5810S	06550003	ISO 10 B-1	M10	55	126	65	16,6	24 - 39	SE/SE-F 15 or 18	0,12
029P3412S	06550004	ISO 12 B-1	M12	80	148	74	19,5	30 - 61	SE/SE-F 27	0,18
Duplex "D"										
029P388D	06560001	ISO 06 B-2	M8	45	74	40	10,2	25 - 30	SE 11	0,07
029P1210D	06560002	ISO 08 B-2	M10	55	96	50	13,9	30 - 34	SE/SE-F 15	0,12
029P5810D	06560003	ISO 10 B-2	M10	70	126	65	16,6	34 - 46	SE/SE-F 18	0,17
029P3412D	06560004	ISO 12 B-2	M12	80	148	74	19,5	40 - 52	SE/SE-F 27	0,26



Roller Type R

Code	Reference	Max speed n/min.	A	B	C	D	E max.	F	Tensor Type	Weight in Kg
029R11	06580001	8000	30	35	2	14	5	M8	SE/SE-F 11	0,08
029R1518	06580002	8000	40	45	6	16	7	M10	SE/SE-F 15 or 18	0,17
029R27	06580003	6000	60	60	8	17	7	M12	SE/SE-F 27	0,40
029R38	06580004	5000	80	90	8	25	10	M20	SE/SE-F 38	1,15
029R4550	06580005	4500	90	135	10	27	12	M20	SE/SE-F 45 or 50	1,75

