

18. TRANSMISSION PULLEYS

Timing belt pulleys in inches	p. 536
HTD blind timing belt pulleys	p. 540
Metric timing belt pulleys	p. 542
Trapezoidal pulleys	p. 545
Blind trapezoidal pulleys	p. 546
Trapezoidal pulleys for taper	p. 549
Variable speed pulleys	p. 553





>>> Timing belt pulleys in inches

Blind Timing belt pulleys (steps in inches)
XL Pitch (1/5" - 5.08 mm)

At www.rodavigo.net Family: Transmission pulleys
Product: Timing belt pulleys



Standard Width
XL 037

Standard Width
L 050 L 075 L 100

Code	Nº of teeth	Code	Nº of teeth	Code	Nº of teeth	Code	Nº of teeth
18310XL037F	10-F	18310L050F	10-F	18310L075F	10-F	18310L100F	10-F
18311XL037F	11-F	18311L050F	11-F	18311L075F	11-F	18311L100F	11-F
18312XL037F	12-F	18312L050F	12-F	18312L075F	12-F	18312L100F	12-F
18313XL037F	13-F	18313L050F	13-F	18313L075F	13-F	18313L100F	13-F
18314XL037F	14-F	18314L050F	14-F	18314L075F	14-F	18314L100F	14-F
18315XL037F	15-F	18315L050F	15-F	18315L075F	15-F	18315L100F	15-F
18316XL037F	16-F	18316L050F	16-F	18316L075F	16-F	18316L100F	16-F
18317XL037F	17-F	18317L050F	17-F	18317L075F	17-F	18317L100F	17-F
18318XL037F	18-F	18318L050F	18-F	18318L075F	18-F	18318L100F	18-F
18319XL037F	19-F	18319L050F	19-F	18319L075F	19-F	18319L100F	19-F
18320XL037F	20-F	18320L050F	20-F	18320L075F	20-F	18320L100F	20-F
18321XL037F	21-F	18321L050F	21-F	18321L075F	21-F	18321L100F	21-F
18322XL037F	22-F	18322L050F	22-F	18322L075F	22-F	18322L100F	22-F
18324XL037F	24-F	18323L050F	23-F	18323L075F	23-F	18323L100F	23-F
18326XL037F	26-F	18324L050F	24-F	18324L075F	24-F	18324L100F	24-F
18327XL037F	27-F	18325L050F	25-F	18325L075F	25-F	18325L100F	25-F
18328XL037F	28-F	18326L050F	26-F	18326L075F	26-F	18326L100F	26-F
18329XL037F	29-F	18327L050F	27-F	18327L075F	27-F	18327L100F	27-F
18330XL037F	30-F	18328L050F	28-F	18328L075F	28-F	18328L100F	28-F
18332XL037	32	18329L050F	29-F	18329L075F	29-F	18329L100F	29-F
18334XL037	34	18330L050F	30-F	18330L075F	30-F	18330L100F	30-F
18335XL037	35	18332L050F	32-F	18332L075F	32-F	18332L100F	32-F
18336XL037	36	18333L050F	33-F	18333L075F	33-F	18333L100F	33-F
18338XL037	38	18334L050F	34-F	18334L075F	34-F	18334L100F	34-F
18339XL037	39	18335L050F	35-F	18335L075F	35-F	18335L100F	35-F
18340XL037	40	18336L050F	36-F	18336L075F	36-F	18336L100F	36-F
18341XL037	41	18340L050F	40-F	18340L075F	40-F	18340L100F	40-F
18342XL037	42	18341L050F	41-F	18341L075F	41-F	18341L100F	41-F
18343XL037	43	18342L050F	42-F	18342L075F	42-F	18342L100F	42-F
18344XL037	44	18344L050F	44-F	18344L075F	44-F	18344L100F	44-F
18345XL037	45	18345L050F	45-F	18345L075F	45-F	18345L100F	45-F
18346XL037	46	18347L050F	47-F	18347L075F	47-F	18347L100F	47-F
18347XL037	47	18348L050F	48-F	18348L075F	48-F	18348L100F	48-F
18348XL037	48	18349L050	49	18349L075	49	18349L100	49
18349XL037	49	18350L050	50	18350L075	50	18350L100	50
18352XL037	52	18352L050	52	18352L075	52	18352L100	52
18356XL037	56	18356L050	56	18356L075	56	18356L100	56
18357XL037	57	18357L050	57	18357L075	57	18357L100	57
18358XL037	58	18360L050	60	18360L075	60	18360L100	60
18359XL037	59	18365L050	65	18365L075	65	18365L100	65
18360XL037	60	18366L050	66	18366L075	66	18366L100	66
18368XL037	68	18372L050	72	18372L075	72	18372L100	72
18369XL037	69	18384L050	84	18384L075	84	18384L100	84
18370XL037	70	18390L050	90	18390L075	90	18390L100	90
18371XL037	71	18396L050	96	18396L075	96	18396L100	96
18372XL037	72	183120L050	120	183120L075	120	183120L100	120

TRANSMISSION PULLEYS

>>> Timing belt pulleys in inches

At www.rodavigo.net Family: Transmission pulleys
Product: Timing belt pulleys

Blind Timing belt pulleys (steps in inches)
Pitch XH (7/8" - 22,225mm)



Standard Width		
XH 200	XH 300	XH 400

Code	N° of teeth	Code	N° of teeth	Code	N° of teeth
18318XH200F	18-F	18318XH300F	18-F	18318XH400F	18-F
18319XH200F	19-F	18319XH300F	19-F	18319XH400F	19-F
18320XH200F	20-F	18320XH300F	20-F	18320XH400F	20-F
18321XH200F	21-F	18321XH300F	21-F	18321XH400F	21-F
18322XH200F	22-F	18322XH300F	22-F	18322XH400F	22-F
18324XH200F	24-F	18324XH300F	24-F	18324XH400F	24-F
18325XH200F	25-F	18325XH300F	25-F	18325XH400F	25-F
18326XH200F	26-F	18326XH300F	26-F	18326XH400F	26-F
18327XH200F	27-F	18327XH300F	27-F	18327XH400F	27-F
18328XH200F	28-F	18328XH300F	28-F	18328XH400F	28-F
18330XH200F	30-F	18330XH300F	30-F	18330XH400F	30-F
18332XH200F	32-F	18332XH300F	32-F	18332XH400F	32-F
18334XH200F	34-F	18334XH300F	34-F	18334XH400F	34-F
18338XH200F	38-F	18338XH300F	38-F	18338XH400F	38-F
18340XH200F	40-F	18340XH300F	40-F	18340XH400F	40-F
18346XH200	46	18346XH300	46	18346XH400	46
18348XH200	48	18348XH300	48	18348XH400	48
18358XH200	58	18358XH300	58	18358XH400	58
18360XH200	60	18360XH300	60	18360XH400	60
18370XH200	70	18370XH300	70	18370XH400	70
18372XH200	72	18372XH300	72	18372XH400	72
18378XH200	78	18378XH300	78	18378XH400	78
18380XH200	80	18380XH300	80	18380XH400	80
18382XH200	82	18382XH300	82	18382XH400	82
18384XH200	84	18384XH300	84	18384XH400	84
18394XH200	94	18394XH300	94	18394XH400	94
18396XH200	96	18396XH300	96	18396XH400	96
183118XH200 ¹⁾	118	183118XH300 ¹⁾	118	183118XH400 ¹⁾	118
183120XH200 ¹⁾	120	183120XH300 ¹⁾	120	183120XH400 ¹⁾	120

1) Price and possibility of supply, on request.



>>> Timing belt pulleys in inches

Blind Timing belt pulleys (steps in inches)
Pitch H (1/2" - 12.7mm)

At www.rodavigo.net Family: Transmission pulleys
Product: Timing belt pulleys



Standard Width				
H 075	H 100	H 150	H 200	H 300

Code	Nº of teeth	Code	Nº of teeth	Code	Nº of teeth	Code	Nº of teeth	Code	Nº of teeth
18314H075F	14-F	18314H100F	14-F	18314H150F	14-F	18314H200F	14-F	18314H300F	14-F
18315H075F	15-F	18315H100F	15-F	18315H150F	15-F	18315H200F	15-F	18315H300F	15-F
18316H075F	16-F	18316H100F	16-F	18316H150F	16-F	18316H200F	16-F	18316H300F	16-F
18317H075F	17-F	18317H100F	17-F	18317H150F	17-F	18317H200F	17-F	18317H300F	17-F
18318H075F	18-F	18318H100F	18-F	18318H150F	18-F	18318H200F	18-F	18318H300F	18-F
18319H075F	19-F	18319H100F	19-F	18319H150F	19-F	18319H200F	19-F	18319H300F	19-F
18320H075F	20-F	18320H100F	20-F	18320H150F	20-F	18320H200F	20-F	18320H300F	20-F
18321H075F	21-F	18321H100F	21-F	18321H150F	21-F	18321H200F	21-F	18321H300F	21-F
18322H075F	22-F	18322H100F	22-F	18322H150F	22-F	18322H200F	22-F	18322H300F	22-F
18323H075F	23-F	18323H100F	23-F	18323H150F	23-F	18323H200F	23-F	18323H300F	23-F
18324H075F	24-F	18324H100F	24-F	18324H150F	24-F	18324H200F	24-F	18324H300F	24-F
18325H075F	25-F	18325H100F	25-F	18325H150F	25-F	18325H200F	25-F	18325H300F	25-F
18326H075F	26-F	18326H100F	26-F	18326H150F	26-F	18326H200F	26-F	18326H300F	26-F
18327H075F	27-F	18327H100F	27-F	18327H150F	27-F	18327H200F	27-F	18327H300F	27-F
18328H075F	28-F	18328H100F	28-F	18328H150F	28-F	18328H200F	28-F	18328H300F	28-F
18329H075F	29-F	18329H100F	29-F	18329H150F	29-F	18329H200F	29-F	18329H300F	29-F
18330H075F	30-F	18330H100F	30-F	18330H150F	30-F	18330H200F	30-F	18330H300F	30-F
18332H075F	32-F	18332H100F	32-F	18332H150F	32-F	18332H200F	32-F	18332H300F	32-F
18333H075F	33-F	18333H100F	33-F	18333H150F	33-F	18333H200F	33-F	18333H300F	33-F
18334H075F	34-F	18334H100F	34-F	18334H150F	34-F	18334H200F	34-F	18334H300F	34-F
18335H075F	35-F	18335H100F	35-F	18335H150F	35-F	18335H200F	35-F	18335H300F	35-F
18336H075F	36-F	18336H100F	36-F	18336H150F	36-F	18336H200F	36-F	18336H300F	36-F
18338H075F	38-F	18338H100F	38-F	18338H150F	38-F	18338H200F	38-F	18338H300F	38-F
18340H075F	40-F	18340H100F	40-F	18340H150F	40-F	18340H200F	40-F	18340H300F	40-F
18344H075F	44-F	18344H100F	44-F	18344H150F	44-F	18344H200F	44-F	18344H300F	44-F
18345H075F	45-F	18345H100F	45-F	18345H150F	45-F	18345H200F	45-F	18345H300F	45-F
18348H075F	48-F	18348H100F	48-F	18348H150F	48-F	18348H200F	48-F	18348H300F	48-F
18349H075	49	18349H100	49	18394H150	94	18349H200	49	18349H300	49
18350H075	50	18350H100	50	18396H150	96	18350H200	50	18350H300	50
18352H075 ¹⁾	52	18352H100	52	183106H150	106	18352H200	52	18352H300	52
18358H075 ¹⁾	58	18358H100	58	183116H150	116	18358H200	58	18358H300	58
18360H075 ¹⁾	60	18360H100	60	183118H150	118	18360H200	60	18360H300	60
18370H075 ¹⁾	70	18370H100	70	183120H150	120	18370H200	70	18370H300	70
18372H075 ¹⁾	72	18372H100	72	183150H150	150	18372H200	72	18372H300	72
18382H075 ¹⁾	82	18382H100	82	183152H150	152	18382H200	82	18382H300	82
18384H075 ¹⁾	84	18384H100	84	183154H150	154	18384H200	84	18384H300	84
18394H075 ¹⁾	94	18394H100	94	183156H150	156	18394H200	94	18394H300	94
18396H075 ¹⁾	96	18396H100	96			18396H200	96	18396H300	96
183106H075 ¹⁾	106	183106H100	106			183106H200	106	183106H300	106
183116H075 ¹⁾	116	183116H100	116			183116H200	116	183116H300	116
183118H075 ¹⁾	118	183118H100	118			183118H200	118	183118H300	118
183120H075 ¹⁾	120	183120H100	120			183120H200	120	183120H300	120
183150H075 ¹⁾	150	183150H100	150			183150H200	150	183150H300	150
183152H075 ¹⁾	152	183152H100	152			183152H200	152	183152H300	152
183154H075 ¹⁾	154	183154H100	154			183154H200	154	183154H300	154
183156H075 ¹⁾	156	183156H100	156			183156H200	156	183156H300	156

1) Price and possibility of supply, on request.

TRANSMISSION PULLEYS

At www.rodavigo.net
 Family: Transmission pulleys
 Product: Timing belt pulleys



>>> Timing belt pulleys in inches

Timing belt pulleys for taper - Lock (inch steps)
 L pitch (3/8" - 9.525mm)

Code	Nº of teeth	Standard Width L 050 Taper	Code	Nº of teeth	Standard Width L 075 Taper	Code	Nº of teeth	Standard Width L 100 Taper
18318L0501108F	18-F	1108	18318L0751108F	18-F	1108	18318L1001108F	18-F	1108
18319L0501108F	19-F	1108	18319L0751108F	19-F	1108	18319L1001108F	19-F	1108
18320L0501108F	20-F	1108	18320L0751108F	20-F	1108	18320L1001108F	20-F	1108
18321L0501108F	21-F	1108	18321L0751108F	21-F	1108	18321L1001108F	21-F	1108
18322L0501108F	22-F	1108	18322L0751108F	22-F	1108	18322L1001108F	22-F	1108
18323L0501108F	23-F	1108	18323L0751108F	23-F	1108	18323L1001108F	23-F	1108
18324L0501008F	24-F	1008	18324L0751008F	24-F	1008	18324L1001008F	24-F	1008
18325L0501008F	25-F	1008	18325L0751008F	25-F	1008	18325L1001008F	25-F	1008
18326L0501108F	26-F	1108	18326L0751108F	26-F	1108	18326L1001108F	26-F	1108
18327L0501108F	27-F	1108	18327L0751108F	27-F	1108	18327L1001108F	27-F	1108
18328L0501108F	28-F	1108	18328L0751108F	28-F	1108	18328L1001108F	28-F	1108
18330L0501108F	30-F	1108	18330L0751108F	30-F	1108	18330L1001108F	30-F	1108
18332L0501108F	32-F	1108	18332L0751108F	32-F	1108	18332L1001108F	32-F	1108
18336L0501108F	36-F	1108	18336L0751108F	36-F	1108	18336L1001108F	36-F	1108
18340L0501610F	40-F	1610	18340L0751610F	40-F	1610	18340L1001610F	40-F	1610
18344L0501610F	44-F	1610	18344L0751610F	44-F	1610	18344L1001610F	44-F	1610
18348L0501610F	48-F	1610	18348L0751610F	48-F	1610	18348L1001610F	48-F	1610
18360L0501610	60	1610	18360L0751610	60	1610	18360L1001610	60	1610
18372L0501610	72	1610	18372L0751610	72	1610	18372L1001610	72	1610
18384L0501610	84	1610	18384L0751610	84	1610	18384L1001610	84	1610
18396L0502012	96	2012	18396L0752012	96	2012	18396L1002012	96	2012
183120L0502012	120	2012	183120L0752012	120	2012	183120L1002012	120	2012

Timing belt pulleys for taper - Lock (inch steps)
 Pitch H (1/2" - 12.7mm)

Code	Nº of teeth	Standard Width H 100 Taper	Code	Nº of teeth	Standard Width H 150 Taper	Code	Nº of teeth	Standard Width H 200 Taper	Code	Nº of teeth	Standard Width H 300 Taper
18314H1001108F	14-F	1108	18314H1501108F	14-F	1108	18316H2001210F	16-F	1210	18319H3001615F	19-F	1615
18316H1001108F	16-F	1108	18316H1501108F	16-F	1108	18318H2001610F	18-F	1610	18320H3001615F	20-F	1615
18318H1001210F	18-F	1210	18318H1501210F	18-F	1210	18319H2001610F	19-F	1610	18321H3001615F	21-F	1615
18319H1001210F	19-F	1210	18319H1501210F	19-F	1210	18320H2001610F	20-F	1610	18322H3001615F	22-F	1615
18320H1001210F	20-F	1210	18320H1501210F	20-F	1210	18321H2001610F	21-F	1610	18323H3001615F	23-F	1615
18321H1001210F	21-F	1210	18321H1501210F	21-F	1210	18322H2001610F	22-F	1610	18324H3001615F	24-F	1615
18322H1001210F	22-F	1210	18322H1501210F	22-F	1210	18323H2001610F	23-F	1610	18325H3001615F	25-F	1615
18323H1004510F	23-F	4510	18323H1501610F	23-F	1610	18324H2001610F	24-F	1610	18326H3001615F	26-F	1615
18324H1001610F	24-F	1610	18324H1501610F	24-F	1610	18325H2001610F	25-F	1610	18327H3002012F	27-F	2012
18325H1001610F	25-F	1610	18325H1501610F	25-F	1610	18326H2001610F	26-F	1610	18328H3002012F	28-F	2012
18326H1001610F	26-F	1610	18326H1501610F	26-F	1610	18327H2001610F	27-F	1610	18330H3002012F	30-F	2012
18327H1001610F	27-F	1610	18327H1501610F	27-F	1610	18328H2001610F	28-F	1610	18332H3002517F	32-F	2517
18328H1001610F	28-F	1610	18328H1501610F	28-F	1610	18330H2001610F	30-F	1610	18336H3002517F	36-F	2517
18330H1001610F	30-F	1610	18330H1501610F	30-F	1610	18332H2002012F	32-F	2012	18340H3002517F	40-F	2517
18332H1001610F	32-F	1610	18332H1501610F	32-F	1610	18336H2002012F	36-F	2012	18344H3002517F	44-F	2517
18336H1001610F	36-F	1610	18336H1501610F	36-F	1610	18340H2002012F	40-F	2012	18348H3002517F	48-F	2517
18340H1001610F	40-F	1610	18340H1501610F	40-F	1610	18344H2002012F	44-F	2012	18360H3002517	60	2517
18344H1002012F	44-F	2012	18344H1502012F	44-F	2012	18348H2002517F	48-F	2517	18372H3002517	72	2517
18348H1002012F	48-F	2012	18348H1502012F	48-F	2012	18360H2002517	60	2517	18384H3002517	84	2517
18360H1002012	60	2012	18360H1502012	60	2012	18372H2002517	72	2517	18396H3003030	96	3030
18372H1002012	72	2012	18372H1502012	72	2012	18384H2002517	84	2517	183120H3003030	120	3030
18384H1002012	84	2012	18384H1502012	84	2012	18396H2002517	96	2517			
18396H1002517	96	2517	18396H1502517	96	2517	183120H2002517	120	2517			
183120H1002517	120	2517	183120H1502517	120	2517						

Timing belt pulleys for taper - Lock (inch steps)
 Pitch XH (7/8" - 22,225mm)

Code	Nº of teeth	Standard Width XH 200 Taper	Code	Nº of teeth	Standard Width XH 300 Taper	Code	Nº of teeth	Standard Width XH 400 Taper
18318XH2002517F	18-F	2517	18318XH3002517F	18-F	2517	18318XH4002517F	18-F	2517
18320XH2002517F	20-F	2517	18320XH3002517F	20-F	2517	18320XH4002517F	20-F	2517
18322XH2002517F	22-F	2517	18322XH3002517F	22-F	2517	18322XH4002517F	22-F	2517
18324XH2002517F	24-F	2517	18324XH3002517F	24-F	2517	18324XH4003020F	24-F	3020
18326XH2002517F	26-F	2517	18326XH3002517F	26-F	2517	18326XH4003020F	26-F	3020
18328XH2002517F	28-F	2517	18328XH3003020F	28-F	3020	18328XH4003020F	28-F	3020
18330XH2002517F	30-F	2517	18330XH3003020F	30-F	3020	18330XH4003020F	30-F	3020
18332XH2002517F	32-F	2517	18332XH3003020F	32-F	3020	18332XH4003020F	32-F	3020
18340XH2003020F	40-F	3020	18340XH3003020F	40-F	3020	18340XH4003535F	40-F	3535
18348XH2003020	48	3020	18348XH3003020	48	3020	18348XH4003535	48	3535
18360XH2003535	60	3535	18360XH3003535	60	3535	18360XH4004040	60	4040
18372XH2003535	72	3535	18372XH3003535	72	3535	18372XH4004040	72	4040
18384XH2003535	84	3535	18384XH3003535	84	3535	18384XH4004040	84	4040



>>> HTD Blinded Timing Belt Pulleys

At www.rodavigo.net Family: Transmission pulleys
Product: Timing belt pulleys



**HTD Blind (round tooth) Timing belt pulleys
3M HTD pitch (3mm)**

Standard Width	
mm	
09	15

Code	Nº of teeth	Code	Nº of teeth	Code	Nº of teeth	Code	Nº of teeth
1833M1009F	10-F	1833M2609F	26-F	1833M1015F	10-F	1833M2615F	26-F
1833M1209F	12-F	1833M2809F	28-F	1833M1215F	12-F	1833M2815F	28-F
1833M1409F	14-F	1833M3009F	30-F	1833M1415F	14-F	1833M3015F	30-F
1833M1509F	15-F	1833M3209F	32-F	1833M1515F	15-F	1833M3215F	32-F
1833M1609F	16-F	1833M3609F	36-F	1833M1615F	16-F	1833M3615F	36-F
1833M1809F	18-F	1833M4009F	40-F	1833M1815F	18-F	1833M4015F	40-F
1833M2009F	20-F	1833M4409F	44-F	1833M2015F	20-F	1833M4415F	44-F
1833M2109F	21-F	1833M4809	48	1833M2115F	21-F	1833M4815	48
1833M2209F	22-F	1833M6009	60	1833M2215F	22-F	1833M6015	60
1833M2409F	24-F	1833M7209	72	1833M2415F	24-F	1833M7215	72

**HTD Blind (round tooth) Timing belt pulleys
Pitch HTD 5M (5mm)**

**HTD Blind (round tooth) Timing belt pulleys
Pitch HTD 8M (8mm)**

Standard Width		
mm		
09	15	25

Standard Width			
mm			
20	30	50	85

Code	Nº teeth	Code	Nº teeth	Code	Nº teeth	Code	Nº teeth	Code	Nº teeth	Code	Nº teeth	Code	Nº teeth
1835M1209F	12-F	1835M1215F	12-F	1835M1225F	12-F	1838M1820F	18-F	1838M1830F	18-F	1838M1850F	18-F	1838M1885F	18-F
1835M1409F	14-F	1835M1415F	14-F	1835M1425F	14-F	1838M2020F	20-F	1838M2030F	20-F	1838M2050F	20-F	1838M2085F	20-F
1835M1509F	15-F	1835M1515F	15-F	1835M1525F	15-F	1838M2220F	22-F	1838M2230F	22-F	1838M2250F	22-F	1838M2285F	22-F
1835M1609F	16-F	1835M1615F	16-F	1835M1625F	16-F	1838M2420F	24-F	1838M2430F	24-F	1838M2450F	24-F	1838M2485F	24-F
1835M1809F	18-F	1835M1815F	18-F	1835M1825F	18-F	1838M2620F	26-F	1838M2630F	26-F	1838M2650F	26-F	1838M2685F	26-F
1835M2009F	20-F	1835M2015F	20-F	1835M2025F	20-F	1838M2820F	28-F	1838M2830F	28-F	1838M2850F	28-F	1838M2885F	28-F
1835M2109F	21-F	1835M2115F	21-F	1835M2125F	21-F	1838M3020F	30-F	1838M3030F	30-F	1838M3050F	30-F	1838M3085F	30-F
1835M2209F	22-F	1835M2215F	22-F	1835M2225F	22-F	1838M3220F	32-F	1838M3230F	32-F	1838M3250F	32-F	1838M3285F	32-F
1835M2409F	24-F	1835M2415F	24-F	1835M2425F	24-F	1838M3420F	34-F	1838M3430F	34-F	1838M3450F	34-F	1838M3485F	34-F
1835M2609F	26-F	1835M2615F	26-F	1835M2625F	26-F	1838M3620F	36-F	1838M3630F	36-F	1838M3650F	36-F	1838M3685F	36-F
1835M2809F	28-F	1835M2815F	28-F	1835M2825F	28-F	1838M3820F	38-F	1838M3830F	38-F	1838M3850F	38-F	1838M3885F	38-F
1835M3009F	30-F	1835M3015F	30-F	1835M3025F	30-F	1838M4020F	40-F	1838M4030F	40-F	1838M4050F	40-F	1838M4085F	40-F
1835M3209F	32-F	1835M3215F	32-F	1835M3225F	32-F	1838M4420F	44-F	1838M4430F	44-F	1838M4450F	44-F	1838M4485F	44-F
1835M3609F	36-F	1835M3615F	36-F	1835M3625F	36-F	1838M4820F	48-F	1838M4830F	48-F	1838M4850F	48-F	1838M4885F	48-F
1835M4009F	40-F	1835M4015F	40-F	1835M4025F	40-F	1838M5620F	56-F	1838M5630F	56-F	1838M5650F	56-F	1838M5685F	56-F
1835M4409	44	1835M4415	44	1835M4425	44	1838M6020F	60-F	1838M6030F	60-F	1838M6050F	60-F	1838M6085F	60-F
1835M4809	48	1835M4815	48	1835M4825	48	1838M6420F	64-F	1838M6430F	64-F	1838M6450F	64-F	1838M6485F	64-F
1835M6009	60	1835M6015	60	1835M6025	60	1838M7220F	72-F	1838M7230F	72-F	1838M7250F	72-F	1838M7285F	72-F
1835M7209	72	1835M7215	72	1835M7225	72	1838M8020	80	1838M8030	80	1838M8050	80	1838M8085	80
						1838M8420	84	1838M8430	84	1838M8450	84	1838M8485	84
						1838M9020	90	1838M9030	90	1838M9050	90	1838M9085	90
						1838M11220	112	1838M11230	112	1838M11250	112	1838M11285	112
						1838M14420	144	1838M14430	144	1838M14450	144	1838M14485	144
						1838M16820	168	1838M16830	168	1838M16850	168	1838M16885	168
						1838M19220	192	1838M19230	192	1838M19250	192	1838M19285	192

TRANSMISSION PULLEYS

>>> HTD blind timing belt pulley



At www.rodavigo.net Family: Transmission pulleys
Product: Timing belt pulleys

HTD Blind (round tooth) Timing belt pulleys
Pitch HTD 14M (14mm)

Standard Width				
mm				
40	55	85	115	170

Code	N° of teeth	Code	N° of teeth	Code	N° of teeth	Code	N° of teeth	Code	N° of teeth
18314M2840F	28-F	18314M2855F	28-F	18314M2885F	28-F	18314M28115F	28-F	18314M28170F	28-F
18314M2940F	29-F	18314M2955F	29-F	18314M2985F	29-F	18314M29115F	29-F	18314M29170F	29-F
18314M3040F	30-F	18314M3055F	30-F	18314M3085F	30-F	18314M30115F	30-F	18314M30170F	30-F
18314M3240F	32-F	18314M3255F	32-F	18314M3285F	32-F	18314M32115F	32-F	18314M32170F	32-F
18314M3440F	34-F	18314M3455F	34-F	18314M3485F	34-F	18314M34115F	34-F	18314M34170F	34-F
18314M3640F	36-F	18314M3655F	36-F	18314M3685F	36-F	18314M36115F	36-F	18314M36170F	36-F
18314M3840F	38-F	18314M3855F	38-F	18314M3885F	38-F	18314M38115F	38-F	18314M38170F	38-F
18314M4040F	40-F	18314M4055F	40-F	18314M4085F	40-F	18314M40115F	40-F	18314M40170F	40-F
18314M4440F	44-F	18314M4455F	44-F	18314M4485F	44-F	18314M44115F	44-F	18314M44170F	44-F
18314M4840F	48-F	18314M4855F	48-F	18314M4885F	48-F	18314M48115F	48-F	18314M48170F	48-F
18314M5640F	56-F	18314M5655F	56-F	18314M5685F	56-F	18314M56115F	56-F	18314M56170F	56-F
18314M6040F	60-F	18314M6055F	60-F	18314M6085F	60-F	18314M60115F	60-F	18314M60170F	60-F
18314M6440	64	18314M6455	64	18314M6485	64	18314M64115	64	18314M64170	64
18314M7240	72	18314M7255	72	18314M7285	72	18314M72115	72	18314M72170	72
18314M8040	80	18314M8055	80	18314M8085	80	18314M80115	80	18314M80170	80
18314M8440	84	18314M8455	84	18314M8485	84	18314M84115	84	18314M84170	84
18314M9040	90	18314M9055	90	18314M9085	90	18314M90115	90	18314M90170	90
18314M11240	112	18314M11255	112	18314M11285	112	18314M112115	112	18314M112170	112
18314M14440	144	18314M14455	144	18314M14485	144	18314M144115	144	18314M144170	144

>>> HTD Timing belt Pulleys for Taper

HTD timing belt pulleys (round tooth) for taper

Pitch HTD 5M (5mm)

Pitch HTD 8M (8mm)

Code	N° of teeth	Width standard 15 mm Taper	Code	N° of teeth	Width standard 20 mm Taper	Code	N° of teeth	Width standard 30 mm Taper	Code	N° of teeth	Width standard 50 mm Taper	Code	N° of teeth	Width standard 85 mm Taper
1835M34151008F	34-F	1008	1838M22201008F	22-F	1008	1838M22301008F	22-F	1008		22-F	-		22-F	-
1835M36151108F	36-F	1108	1838M24201108F	24-F	1108	1838M24301108F	24-F	1108		24-F	-		24-F	-
1835M38151108F	38-F	1108	1838M26201108F	26-F	1108	1838M26301108F	26-F	1108		26-F	-		26-F	-
1835M40151108F	40-F	1108	1838M28201108F	28-F	1108	1838M28301108F	28-F	1108	1838M28501108F	28-F	1108		28-F	-
1835M44151108F	44-F	1108	1838M30201108F	30-F	1108	1838M30301615F	30-F	1615	1838M30501615F	30-F	1615		30-F	-
1835M48151210F	48-F	1210	1838M32201610F	32-F	1610	1838M32301615F	32-F	1615	1838M32501615F	32-F	1615		32-F	-
1835M56151210F	56-F	1210	1838M34201610F	34-F	1610	1838M34301615F	34-F	1615	1838M34501615F	34-F	1615	1838M34851615F	34-F	1615
1835M64151210F	64-F	1210	1838M36201610F	36-F	1610	1838M36301615F	36-F	1615	1838M36501615F	36-F	1615	1838M36851615F	36-F	1615
1835M72151610F	72-F	1610	1838M38201610F	38-F	1610	1838M38301615F	38-F	1615	1838M38501615F	38-F	1615	1838M38851615F	38-F	1615
1835M80151610	80	1610	1838M40201610F	40-F	1610	1838M40301615F	40-F	1615	1838M40502012F	40-F	2012	1838M40852012F	40-F	2012
1835M90151610	90	1610	1838M44202012F	44-F	2012	1838M44302012F	44-F	2012	1838M44502012F	44-F	2012	1838M44852012F	44-F	2012
1835M112151610	112	1610	1838M48202012F	48-F	2012	1838M48302012F	48-F	2012	1838M48502012F	48-F	2012	1838M48852517F	48-F	2517
1835M136152012	136	2012	1838M56202012F	56-F	2012	1838M56302012F	56-F	2012	1838M56502517F	56-F	2517	1838M56852517F	56-F	2517
1835M150152012	150	2012	1838M64202012F	64-F	2012	1838M64302517F	64-F	2517	1838M64502517F	64-F	2517	1838M64852517F	64-F	2517
			1838M72202012F	72-F	2012	1838M72302517F	72-F	2517	1838M72502517F	72-F	2517	1838M72853020F	72-F	3020
			1838M80202012	80	2012	1838M80302517	80	2517	1838M80503020	80	3020	1838M80853020	80	3020
			1838M90202012	90	2012	1838M90302517	90	2517	1838M90503020	90	3020	1838M90853020	90	3020
						1838M112302517	112	2517	1838M112503020	112	3020	1838M112853020	112	3020
						1838M144302517	144	2517	1838M144503020	144	3020	1838M144853030	144	3030
									1838M168503020	168	3020	1838M168853030	168	3030
									1838M192503020	192	3020	1838M192853030	192	3030





>>> HTD Timing belt pulleys for taper (round tooth)

Pitch HTD 14M (14mm)

At www.rodavigo.net

Family: Transmission pulleys
Product: Timing belt pulleys



Code	Nº of teeth	Width standard 40 mm Taper	Code	Nº of teeth	Width standard 55 mm Taper	Code	Nº of teeth	Width standard 85 mm Taper	Code	Nº of teeth	Width standard 115 mm Taper	Code	Nº of teeth	Width standard 170 mm Taper
18314M28402012F	28-F	2012	18314M28552012F	28-F	2012	18314M28852517F	28-F	2517	18314M281152517F	28-F	2517		28-F	-
18314M29402012F	29-F	2012	18314M29552012F	29-F	2012	18314M29852517F	29-F	2517	18314M291152517F	29-F	2517		29-F	-
18314M30402012F	30-F	2012	18314M30552517F	30-F	2517	18314M30852517F	30-F	2517	18314M301152517F	30-F	2517		30-F	-
18314M32402012F	32-F	2012	18314M32552517F	32-F	2517	18314M32852517F	32-F	2517	18314M321152517F	32-F	2517		32-F	-
18314M34402517F	34-F	2517	18314M34552517F	34-F	2517	18314M34852517F	34-F	2517	18314M341152517F	34-F	2517		34-F	-
18314M36402517F	36-F	2517	18314M36552517F	36-F	2517	18314M36853020F	36-F	3020	18314M361153020F	36-F	3020		36-F	-
18314M38402517F	38-F	2517	18314M38552517F	38-F	2517	18314M38853020F	38-F	3020	18314M381153020F	38-F	3020	18314M381703030F	38-F	3030
18314M40402517F	40-F	2517	18314M40552517F	40-F	2517	18314M40853020F	40-F	3020	18314M401153020F	40-F	3020	18314M401703030F	40-F	3030
18314M44403020F	44-F	3020	18314M44553020F	44-F	3020	18314M44853030F	44-F	3030	18314M441153030F	44-F	3030	18314M441703535F	44-F	3535
18314M48403020F	48-F	3020	18314M48553020F	48-F	3020	18314M48853030F	48-F	3030	18314M481153030F	48-F	3030	18314M481703535F	48-F	3535
18314M56403020F	56-F	3020	18314M56553020F	56-F	3020	18314M56853535F	56-F	3535	18314M561153535F	56-F	3535	18314M561703535F	56-F	3535
18314M64403020F	64-F	3020	18314M64553020F	64-F	3020	18314M64853535F	64-F	3535	18314M641153535F	64-F	3535	18314M641704040F	64-F	4040
18314M72403020	72	3020	18314M72553020	72	3020	18314M72853535	72	3535	18314M721153535	72	3535	18314M721704040	72	4040
18314M80403020	80	3020	18314M80553020	80	3020	18314M80853535	80	3535	18314M801153535	80	3535	18314M801704040	80	4040
18314M90403020	90	3020	18314M90553020	90	3020	18314M90853535	90	3535	18314M901153535	90	3535	18314M901704040	90	4040
18314M112403020	112	3020	18314M112553020	112	3020	18314M112853535	112	3535	18314M1121153535	112	3535	18314M1121705050	112	5050
18314M144403020 ¹⁾	144	3020	18314M144553020 ¹⁾	144	3020	18314M144853535 ¹⁾	144	3535	18314M1441154040 ¹⁾	144	4040	18314M1441705050 ¹⁾	144	5050
18314M168403020 ¹⁾	168	3020	18314M168553020 ¹⁾	168	3020	18314M168853535 ¹⁾	168	3535	18314M1681154040 ¹⁾	168	4040	18314M1681705050 ¹⁾	168	5050
18314M192403535 ¹⁾	192	3535	18314M192553535 ¹⁾	192	3535	18314M192854040 ¹⁾	192	4040	18314M1921154040 ¹⁾	192	4040	18314M1921705050 ¹⁾	192	5050
18314M216403535 ¹⁾	216	3535	18314M216553535 ¹⁾	216	3535	18314M216854040 ¹⁾	216	4040	18314M2161154040 ¹⁾	216	4040	18314M2161705050 ¹⁾	216	5050
18314M264403535 ¹⁾	264	3535	18314M264553535 ¹⁾	264	3535	18314M264854040 ¹⁾	264	4040	18314M2641155050 ¹⁾	264	5050	18314M2641705050 ¹⁾	264	5050

1) Price and supply possibilities, on request.

>>> Metric timing belt pulleys



Pitch T2,5 (2,5 mm)

Pitch T5 (5 mm)

Code Strap width 6 mm	Nº of teeth	Code Strap width 10 mm	Nº of teeth	Code Strap width 16 mm	Nº of teeth	Code Strap width 25 mm	Nº of teeth
18316T25122	12	18321T5102	10	18327T5102	10	18336T5102	10
18316T25142	14	18321T5122	12	18327T5122	12	18336T5122	12
18316T25152	15	18321T5142	14	18327T5142	14	18336T5142	14
18316T25162	16	18321T5152	15	18327T5152	15	18336T5152	15
18316T25182	18	18321T5162	16	18327T5162	16	18336T5162	16
18316T25192	19	18321T5182	18	18327T5182	18	18336T5182	18
18316T25202	20	18321T5192	19	18327T5192	19	18336T5192	19
18316T25222	22	18321T5202	20	18327T5202	20	18336T5202	20
18316T25242	24	18321T5222	22	18327T5222	22	18336T5222	22
18316T25252	25	18321T5242	24	18327T5242	24	18336T5242	24
18316T25262	26	18321T5252	25	18327T5252	25	18336T5252	25
18316T25282	28	18321T5262	26	18327T5262	26	18336T5262	26
18316T25302	30	18321T5282	28	18327T5282	28	18336T5282	28
18316T25322	32	18321T5302	30	18327T5302	30	18336T5302	30
18316T25362	36	18321T5322	32	18327T5322	32	18336T5322	32
18316T25402	40	18321T5362	36	18327T5362	36	18336T5362	36
18316T25442	44	18321T5402	40	18327T5402	40	18336T5402	40
18316T2548	48	18321T5422	42	18327T5422	42	18336T5422	42
18316T2560	60	18321T544	44	18327T544	44	18336T544	44
		18321T548	48	18327T548	48	18336T548	48
		18321T560	60	18327T560	60	18336T560	60

TRANSMISSION PULLEYS

>>> Metric timing belt pulleys

At www.rodavigo.net Family: Transmission pulleys
Product: Timing belt pulleys

Pitch T10 (10 mm)

Code	N° of teeth	Code	N° of teeth	Code	N° of teeth	Code	N° of teeth
Strap width		Strap width		Strap width		Strap width	
16 mm		25 mm		32 mm		50 mm	
18331T10122	12	18340T10122	12	-	12	-	12
18331T10142	14	18340T10142	14	-	14	-	14
18331T10152	15	18340T10152	15	-	15	-	15
18331T10162	16	18340T10162	16	-	16	-	16
18331T10182	18	18340T10182	18	18347T10182	18	18366T10182	18
18331T10192	19	18340T10192	19	18347T10192	19	18366T10192	19
18331T10202	20	18340T10202	20	18347T10202	20	18366T10202	20
18331T10222	22	18340T10222	22	18347T10222	22	18366T10222	22
18331T10242	24	18340T10242	24	18347T10242	24	18366T10242	24
18331T10252	25	18340T10252	25	18347T10252	25	18366T10252	25
18331T10262	26	18340T10262	26	18347T10262	26	18366T10262	26
18331T10272	27	18340T10272	27	18347T10272	27	18366T10272	27
18331T10282	28	18340T10282	28	18347T10282	28	18366T10282	28
18331T10302	30	18340T10302	30	18347T10302	30	18366T10302	30
18331T10322	32	18340T10322	32	18347T10322	32	18366T10322	32
18331T10362	36	18340T10362	36	18347T10362	36	18366T10362	36
18331T10402	40	18340T10402	40	18347T10402	40	18366T10402	40
18331T1044	44	18340T1044	44	18347T1044	44	18366T1044	44
18331T1048	48	18340T1048	48	18347T1048	48	18366T1048	48
18331T1060	60	18340T1060	60	18347T1060	60	18366T1060	60

Pitch AT5 (5 mm)

Code	N° of teeth	Code	N° of teeth	Code	N° of teeth
Strap width		Strap width		Strap width	
10 mm		16 mm		25 mm	
18321AT5122	12	18327AT5122	12	18336AT5122	12
18321AT5142	14	18327AT5142	14	18336AT5142	14
18321AT5152	15	18327AT5152	15	18336AT5152	15
18321AT5162	16	18327AT5162	16	18336AT5162	16
18321AT5182	18	18327AT5182	18	18336AT5182	18
18321AT5192	19	18327AT5192	19	18336AT5192	19
18321AT5202	20	18327AT5202	20	18336AT5202	20
18321AT5222	22	18327AT5222	22	18336AT5222	22
18321AT5242	24	18327AT5242	24	18336AT5242	24
18321AT5252	25	18327AT5252	25	18336AT5252	25
18321AT5262	26	18327AT5262	26	18336AT5262	26
18321AT5272	27	18327AT5272	27	18336AT5272	27
18321AT5282	28	18327AT5282	28	18336AT5282	28
18321AT5302	30	18327AT5302	30	18336AT5302	30
18321AT5322	32	18327AT5322	32	18336AT5322	32
18321AT5362	36	18327AT5362	36	18336AT5362	36
18321AT5402	40	18327AT5402	40	18336AT5402	40
18321AT5422	42	18327AT5422	42	18336AT5422	42
18321AT544	44	18327AT544	44	18336AT544	44
18321AT548	48	18327AT548	48	18336AT548	48
18321AT560	60	18327AT560	60	18336AT560	60



>>> Metric timing belt pulleys

Pitch AT10 (10 mm)

At www.rodavigo.net Family: Transmission pulleys
Product: Timing belt pulleys

Code Strap width	N° of teeth	Code Strap width	N° of teeth	Code Strap width	N° of teeth	Code Strap width	N° of teeth
16 mm		25 mm		32 mm		50 mm	
18331AT10152	15	18340AT10152	15	-	15	-	15
18331AT10162	16	18340AT10162	16	-	16	-	16
18331AT10182	18	18340AT10182	18	18347AT10182	18	18366AT10182	18
18331AT10192	19	18340AT10192	19	18347AT10192	19	18366AT10192	19
18331AT10202	20	18340AT10202	20	18347AT10202	20	18366AT10202	20
18331AT10222	22	18340AT10222	22	18347AT10222	22	18366AT10222	22
18331AT10242	24	18340AT10242	24	18347AT10242	24	18366AT10242	24
18331AT10252	25	18340AT10252	25	18347AT10252	25	18366AT10252	25
18331AT10262	26	18340AT10262	26	18347AT10262	26	18366AT10262	26
18331AT10272	27	18340AT10272	27	18347AT10272	27	18366AT10272	27
18331AT10282	28	18340AT10282	28	18347AT10282	28	18366AT10282	28
18331AT10302	30	18340AT10302	30	18347AT10302	30	18366AT10302	30
18331AT10322	32	18340AT10322	32	18347AT10322	32	18366AT10322	32
18331AT10362	36	18340AT10362	36	18347AT10362	36	18366AT10362	36
18331AT10402	40	18340AT10402	40	18347AT10402	40	18366AT10402	40
18331AT1044	44	18340AT1044	44	18347AT1044	44	18366AT1044	44
18331AT1048	48	18340AT1048	48	18347AT1048	48	18366AT1048	48
18331AT1060	60	18340AT1060	60	18347AT1060	60	18366AT1060	60

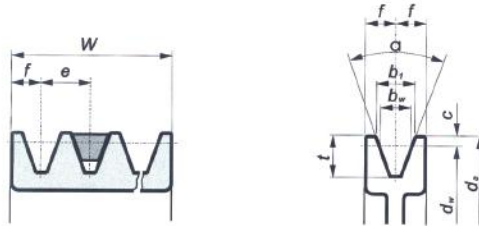
TRANSMISSION PULLEYS

At www.rodavigo.net Family: Transmission Pulleys
Product: Blind Ribbed Belt Pulleys

>>> Trapezoidal pulleys



Channel dimensions



PROFILES			SPZ	SPA	SPB	SPC/C
bw			8,5	11	14	19
b1			9,7	12,7	16,3	22
c			2	2,8	3,5	4,8
e			12 \pm 0,3	15 \pm 0,3	19 \pm 0,4	25,5 \pm 0,5
f			8 \pm 0,6	10 \pm 0,6	12,5 \pm 0,8	23,8 \pm 0,6/20 \pm 0,6
t			11 \pm 0,6	13,8 \pm 0,6	17,5 \pm 0,6	23,8 \pm 0,6
α	34°	dw	\leq 80	\leq 118	\leq 190	\leq 315
	38°	dw	$>$ 80	$>$ 118	$>$ 190	$>$ 315
	tolerance		\pm 1°	\pm 1°	\pm 1°	\pm 30'
* w = Total width according to number of channels (z). w = (z-1) e + 2f		z=1	16	20	25	34
		2	28	35	44	59,5
		3	40	50	63	85
		4	52	65	82	110,5
		5	64	80	101	136
		6	76	95	120	161,5
		7	88	110	139	187
		8	100	125	158	212,5
		9	112	140	177	238
		10	124	155	196	263,5
		11	136	170	215	289
		12	148	185	234	314,5

Compatibility table

Profile straps	Classic				Narrow				RMA			
	Z	A	B	C	SPZ	SPA	SPB	SPC	3V	5V	8V	
Section	10x6	13x8	17x11	22x14	9,7x8	12,7x10	17,3x13	22x18	9,5x8	16x13,5	25,5x23	
Profile pulleys blind	SPZ	●	-	-	-	●	-	-	-	●	-	-
	SPA	-	●	-	-	-	●	-	-	-	-	-
	SPB	-	-	●	-	-	-	●	-	-	●	-
	C	-	-	-	●	-	-	-	-	-	-	-
Profile pulleys taper	SPZ	●	-	-	-	●	-	-	-	●	-	-
	SPA	-	●	-	-	-	●	-	-	-	-	-
	SPB	-	-	●	-	-	-	●	-	-	●	-
	SPC	-	-	-	●	-	-	-	●	-	-	-



>>> Blind trapezoidal pulleys

At www.rodavigo.net Family: Transmission Pulleys
Product: Blind Ribbed Belt Pulleys



SPZ / Z / 10 profile

Number of channels

1	2	3
---	---	---

Code	1 Channel		Code	2 Channels		Code	3 Channels	
	Diameter			Diameter			Diameter	
	Prim.	Ext. (W)		Prim.	Ext. (W)		Prim.	Ext. (W)
	mm			mm			mm	
185SPZ501	50	54	185SPZ502	50	54	185SPZ503	50	54
185SPZ561	56	60	185SPZ562	56	60	185SPZ563	56	60
185SPZ631	63	67	185SPZ632	63	67	185SPZ633	63	67
185SPZ711	71	75	185SPZ712	71	75	185SPZ713	71	75
185SPZ751	75	79	185SPZ752	75	79	185SPZ753	75	79
185SPZ801	80	84	185SPZ802	80	84	185SPZ803	80	84
185SPZ851	85	89	185SPZ852	85	89	185SPZ853	85	89
185SPZ901	90	94	185SPZ902	90	94	185SPZ903	90	94
185SPZ951	95	99	185SPZ952	95	99	185SPZ953	95	99
185SPZ1001	100	104	185SPZ1002	100	104	185SPZ1003	100	104
185SPZ1061	106	110	185SPZ1062	106	110	185SPZ1063	106	110
185SPZ1121	112	116	185SPZ1122	112	116	185SPZ1123	112	116
185SPZ1181	118	122	185SPZ1182	118	122	185SPZ1183	118	122
185SPZ1251	125	129	185SPZ1252	125	129	185SPZ1253	125	129
185SPZ1321	132	136	185SPZ1322	132	136	185SPZ1323	132	136
185SPZ1401	140	144	185SPZ1402	140	144	185SPZ1403	140	144
185SPZ1501	150	154	185SPZ1502	150	154	185SPZ1503	150	154
185SPZ1601	160	164	185SPZ1602	160	164	185SPZ1603	160	164
185SPZ1801	180	184	185SPZ1802	180	184	185SPZ1803	180	184
185SPZ2001	200	204	185SPZ2002	200	204	185SPZ2003	200	204
185SPZ2241	224	228	185SPZ2242	224	228	185SPZ2243	224	228
185SPZ2501	250	254	185SPZ2502	250	254	185SPZ2503	250	254
185SPZ2801	280	284	185SPZ2802	280	284	185SPZ2803	280	284
185SPZ3151	315	319	185SPZ3152	315	319	185SPZ3153	315	319
185SPZ3551	355	359	185SPZ3552	355	359	185SPZ3553	355	359

TRANSMISSION PULLEYS

>>> Blind trapezoidal pulleys

At www.rodavigo.net Family: Transmission Pulleys
Product: Blind Ribbed Belt Pulleys

SPA / A / 13 Profile

Number of channels

1 2 3 4 5

1 Channel			2 Channels			3 Channels			4 Channels			5 Channels		
Code	Diameter		Code	Diameter		Code	Diameter		Code	Diameter		Code	Diameter	
	Prim.	Ext. (W)		Prim.	Ext. (W)		Prim.	Ext. (W)		Prim.	Ext. (W)		Prim.	Ext. (W)
	mm			mm			mm			mm			mm	
185SPA501	50	55	185SPA502	50	55	185SPA503	50	55	185SPA504	50	55	185SPA505	50	55
185SPA561	56	61	185SPA562	56	61	185SPA563	56	61	185SPA564	56	61	185SPA565	56	61
185SPA631	63	68	185SPA632	63	68	185SPA633	63	68	185SPA634	63	68	185SPA635	63	68
185SPA711	71	76	185SPA712	71	76	185SPA713	71	76	185SPA714	71	76	185SPA715	71	76
185SPA751	75	80	185SPA752	75	80	185SPA753	75	80	185SPA754	75	80	185SPA755	75	80
185SPA801	80	85	185SPA802	80	85	185SPA803	80	85	185SPA804	80	85	185SPA805	80	85
185SPA851	85	90	185SPA852	85	90	185SPA853	85	90	185SPA854	85	90	185SPA855	85	90
185SPA901	90	95	185SPA902	90	95	185SPA903	90	95	185SPA904	90	95	185SPA905	90	95
185SPA951	95	100	185SPA952	95	100	185SPA953	95	100	185SPA954	95	100	185SPA955	95	100
185SPA1001	100	105	185SPA1002	100	105	185SPA1003	100	105	185SPA1004	100	105	185SPA1005	100	105
185SPA1061	106	111	185SPA1062	106	111	185SPA1063	106	111	185SPA1064	106	111	185SPA1065	106	111
185SPA1121	112	117	185SPA1122	112	117	185SPA1123	112	117	185SPA1124	112	117	185SPA1125	112	117
185SPA1181	118	123	185SPA1182	118	123	185SPA1183	118	123	185SPA1184	118	123	185SPA1185	118	123
185SPA1251	125	130	185SPA1252	125	130	185SPA1253	125	130	185SPA1254	125	130	185SPA1255	125	130
185SPA1321	132	137	185SPA1322	132	137	185SPA1323	132	137	185SPA1324	132	137	185SPA1325	132	137
185SPA1401	140	145	185SPA1402	140	145	185SPA1403	140	145	185SPA1404	140	145	185SPA1405	140	145
185SPA1501	150	155	185SPA1502	150	155	185SPA1503	150	155	185SPA1504	150	155	185SPA1505	150	155
185SPA1601	160	165	185SPA1602	160	165	185SPA1603	160	165	185SPA1604	160	165	185SPA1605	160	165
185SPA1701	170	175	185SPA1702	170	175	185SPA1703	170	175	185SPA1704	170	175	185SPA1705	170	175
185SPA1801	180	185	185SPA1802	180	185	185SPA1803	180	185	185SPA1804	180	185	185SPA1805	180	185
185SPA1901	190	195	185SPA1902	190	195	185SPA1903	190	195	185SPA1904	190	195	185SPA1905	190	195
185SPA2001	200	205	185SPA2002	200	205	185SPA2003	200	205	185SPA2004	200	205	185SPA2005	200	205
185SPA2241	224	229	185SPA2242	224	229	185SPA2243	224	229	185SPA2244	224	229	185SPA2245	224	229
185SPA2361	236	241	185SPA2362	236	241	185SPA2363	236	241	185SPA2364	236	241	185SPA2365	236	241
185SPA2501	250	255	185SPA2502	250	255	185SPA2503	250	255	185SPA2504	250	255	185SPA2505	250	255
185SPA2801	280	285	185SPA2802	280	285	185SPA2803	280	285	185SPA2804	280	285	185SPA2805	280	285
185SPA3001	300	305	185SPA3002	300	305	185SPA3003	300	305	185SPA3004	300	305	185SPA3005	300	305
185SPA3151	315	320	185SPA3152	315	320	185SPA3153	315	320	185SPA3154	315	320	185SPA3155	315	320
185SPA3551	355	360	185SPA3552	355	360	185SPA3553	355	360	185SPA3554	355	360	185SPA3555	355	360
185SPA4001	400	405	185SPA4002	400	405	185SPA4003	400	405	185SPA4004	400	405	185SPA4005	400	405
185SPA4501	450	455	185SPA4502	450	455	185SPA4503	450	455	185SPA4504	450	455	185SPA4505	450	455
185SPA5001	500	505	185SPA5002	500	505	185SPA5003	500	505	185SPA5004	500	505	185SPA5005	500	505
185SPA5601	560	565	185SPA5602	560	565	185SPA5603	560	565	185SPA5604	560	565	185SPA5605	560	565
185SPA6301	630	635	185SPA6302	630	635	185SPA6303	630	635	185SPA6304	630	635	185SPA6305	630	635



>>> Blind trapezoidal pulleys

SPB/B/17 profile

At www.rodavigo.net Family: Transmission Pulleys
Product: Blind Ribbed Belt Pulleys

Number of channels					
1	2	3	4	5	6

1 Channel		2 Channel		3 Channel		4 Channel		5 Channel		6 Channel	
Code	Diameter Prim. Ext. (W)	Code	Diameter Prim. Ext. (W)	Code	Diameter Prim. Ext. (W)	Code	Diameter Prim. Ext. (W)	Code	Diameter Prim. Ext. (W)	Code	Diameter Prim. Ext. (W)
mm		mm		mm		mm		mm		mm	
185SPB601	60 67	185SPB602	60 67	185SPB603	60 67	185SPB604	60 67	185SPB605	60 67	185SPB606	60 67
185SPB711	71 78	185SPB712	71 78	185SPB713	71 78	185SPB714	71 78	185SPB715	71 78	185SPB716	71 78
185SPB751	75 82	185SPB752	75 82	185SPB753	75 82	185SPB754	75 82	185SPB755	75 82	185SPB756	75 82
185SPB801	80 87	185SPB802	80 87	185SPB803	80 87	185SPB804	80 87	185SPB805	80 87	185SPB806	80 87
185SPB851	85 92	185SPB852	85 92	185SPB853	85 92	185SPB854	85 92	185SPB855	85 92	185SPB856	85 92
185SPB901	90 97	185SPB902	90 97	185SPB903	90 97	185SPB904	90 97	185SPB905	90 97	185SPB906	90 97
185SPB951	95 102	185SPB952	95 102	185SPB953	95 102	185SPB954	95 102	185SPB955	95 102	185SPB956	95 102
185SPB1001	100 107	185SPB1002	100 107	185SPB1003	100 107	185SPB1004	100 107	185SPB1005	100 107	185SPB1006	100 107
185SPB1061	106 113	185SPB1062	106 113	185SPB1063	106 113	185SPB1064	106 113	185SPB1065	106 113	185SPB1066	106 113
185SPB1121	112 119	185SPB1122	112 119	185SPB1123	112 119	185SPB1124	112 119	185SPB1125	112 119	185SPB1126	112 119
185SPB1181	118 125	185SPB1182	118 125	185SPB1183	118 125	185SPB1184	118 125	185SPB1185	118 125	185SPB1186	118 125
185SPB1251	125 132	185SPB1252	125 132	185SPB1253	125 132	185SPB1254	125 132	185SPB1255	125 132	185SPB1256	125 132
185SPB1321	132 139	185SPB1322	132 139	185SPB1323	132 139	185SPB1324	132 139	185SPB1325	132 139	185SPB1326	132 139
185SPB1401	140 147	185SPB1402	140 147	185SPB1403	140 147	185SPB1404	140 147	185SPB1405	140 147	185SPB1406	140 147
185SPB1501	150 157	185SPB1502	150 157	185SPB1503	150 157	185SPB1504	150 157	185SPB1505	150 157	185SPB1506	150 157
185SPB1601	160 167	185SPB1602	160 167	185SPB1603	160 167	185SPB1604	160 167	185SPB1605	160 167	185SPB1606	160 167
185SPB1701	170 177	185SPB1702	170 177	185SPB1703	170 177	185SPB1704	170 177	185SPB1705	170 177	185SPB1706	170 177
185SPB1801	180 187	185SPB1802	180 187	185SPB1803	180 187	185SPB1804	180 187	185SPB1805	180 187	185SPB1806	180 187
185SPB1901	190 197	185SPB1902	190 197	185SPB1903	190 197	185SPB1904	190 197	185SPB1905	190 197	185SPB1906	190 197
185SPB2001	200 207	185SPB2002	200 207	185SPB2003	200 207	185SPB2004	200 207	185SPB2005	200 207	185SPB2006	200 207
185SPB2121	212 219	185SPB2122	212 219	185SPB2123	212 219	185SPB2124	212 219	185SPB2125	212 219	185SPB2126	212 219
185SPB2241	224 231	185SPB2242	224 231	185SPB2243	224 231	185SPB2244	224 231	185SPB2245	224 231	185SPB2246	224 231
185SPB2361	236 243	185SPB2362	236 243	185SPB2363	236 243	185SPB2364	236 243	185SPB2365	236 243	185SPB2366	236 243
185SPB2501	250 257	185SPB2502	250 257	185SPB2503	250 257	185SPB2504	250 257	185SPB2505	250 257	185SPB2506	250 257
185SPB2801	280 287	185SPB2802	280 287	185SPB2803	280 287	185SPB2804	280 287	185SPB2805	280 287	185SPB2806	280 287
185SPB3001	300 307	185SPB3002	300 307	185SPB3003	300 307	185SPB3004	300 307	185SPB3005	300 307	185SPB3006	300 307
185SPB3151	315 322	185SPB3152	315 322	185SPB3153	315 322	185SPB3154	315 322	185SPB3155	315 322	185SPB3156	315 322
185SPB3551	355 362	185SPB3552	355 362	185SPB3553	355 362	185SPB3554	355 362	185SPB3555	355 362	185SPB3556	355 362
185SPB4001	400 407	185SPB4002	400 407	185SPB4003	400 407	185SPB4004	400 407	185SPB4005	400 407	185SPB4006	400 407
185SPB4501	450 457	185SPB4502	450 457	185SPB4503	450 457	185SPB4504	450 457	185SPB4505	450 457	185SPB4506	450 457
185SPB5001	500 507	185SPB5002	500 507	185SPB5003	500 507	185SPB5004	500 507	185SPB5005	500 507	185SPB5006	500 507
185SPB5601	560 567	185SPB5602	560 567	185SPB5603	560 567	185SPB5604	560 567	185SPB5605	560 567	185SPB5606	560 567
185SPB6301	630 637	185SPB6302	630 637	185SPB6303	630 637	185SPB6304	630 637	185SPB6305	630 637	185SPB6306	630 637
185SPB7101	710 717	185SPB7102	710 717	185SPB7103	710 717	185SPB7104	710 717	185SPB7105	710 717	185SPB7106	710 717
185SPB8001	800 807	185SPB8002	800 807	185SPB8003	800 807	185SPB8004	800 807	185SPB8005	800 807	185SPB8006	800 807

C/22 profile

Number of channels					
1	2	3	4	5	6

1 Channel		2 Channel		3 Channel		4 Channel		5 Channel		6 Channel	
Code	Diameter Prim. Ext. (W)	Code	Diameter Prim. Ext. (W)	Code	Diameter Prim. Ext. (W)	Code	Diameter Prim. Ext. (W)	Code	Diameter Prim. Ext. (W)	Code	Diameter Prim. Ext. (W)
mm		mm		mm		mm		mm		mm	
185SPC1401	140 149	185SPC1402	140 149	185SPC1403	140 149	185SPC1404	140 149	185SPC1405	140 149	185SPC1406	140 149
185SPC1501	150 159	185SPC1502	150 159	185SPC1503	150 159	185SPC1504	150 159	185SPC1505	150 159	185SPC1506	150 159
185SPC1601	160 169	185SPC1602	160 169	185SPC1603	160 169	185SPC1604	160 169	185SPC1605	160 169	185SPC1606	160 169
185SPC1701	170 179	185SPC1702	170 179	185SPC1703	170 179	185SPC1704	170 179	185SPC1705	170 179	185SPC1706	170 179
185SPC1801	180 189	185SPC1802	180 189	185SPC1803	180 189	185SPC1804	180 189	185SPC1805	180 189	185SPC1806	180 189
185SPC1901	190 199	185SPC1902	190 199	185SPC1903	190 199	185SPC1904	190 199	185SPC1905	190 199	185SPC1906	190 199
185SPC2001	200 209	185SPC2002	200 209	185SPC2003	200 209	185SPC2004	200 209	185SPC2005	200 209	185SPC2006	200 209
185SPC2241	224 233	185SPC2242	224 233	185SPC2243	224 233	185SPC2244	224 233	185SPC2245	224 233	185SPC2246	224 233
185SPC2501	250 259	185SPC2502	250 259	185SPC2503	250 259	185SPC2504	250 259	185SPC2505	250 259	185SPC2506	250 259
185SPC2801	280 289	185SPC2802	280 289	185SPC2803	280 289	185SPC2804	280 289	185SPC2805	280 289	185SPC2806	280 289
185SPC3001	300 309	185SPC3002	300 309	185SPC3003	300 309	185SPC3004	300 309	185SPC3005	300 309	185SPC3006	300 309
185SPC3151	315 324	185SPC3152	315 324	185SPC3153	315 324	185SPC3154	315 324	185SPC3155	315 324	185SPC3156	315 324
185SPC3551	355 364	185SPC3552	355 364	185SPC3553	355 364	185SPC3554	355 364	185SPC3555	355 364	185SPC3556	355 364
185SPC4001	400 409	185SPC4002	400 409	185SPC4003	400 409	185SPC4004	400 409	185SPC4005	400 409	185SPC4006	400 409
185SPC4501	450 459	185SPC4502	450 459	185SPC4503	450 459	185SPC4504	450 459	185SPC4505	450 459	185SPC4506	450 459
185SPC5001	500 509	185SPC5002	500 509	185SPC5003	500 509	185SPC5004	500 509	185SPC5005	500 509	185SPC5006	500 509
185SPC5601	560 569	185SPC5602	560 569	185SPC5603	560 569	185SPC5604	560 569	185SPC5605	560 569	185SPC5606	560 569
185SPC6301	630 639	185SPC6302	630 639	185SPC6303	630 639	185SPC6304	630 639	185SPC6305	630 639	185SPC6306	630 639

TRANSMISSION PULLEYS

>>> Trapezoidal pulley for Taper

At www.rodavigo.net

Family: Transmission Pulleys
Product: Ribbed Belt Pulleys

Trapezoidal pulley for Taper-lock. SPZ / Z / 10 profile

Number of channels				
1	2	3	4	5



1 Channel			2 Channels			3 Channels			4 Channels			5 Channels		
Code	Diameter		Code	Diameter		Code	Diameter		Code	Diameter		Code	Diameter	
	Prim.	Ext. Taper		Prim.	Ext. Taper		Prim.	Ext. Taper		Prim.	Ext. Taper		Prim.	Ext. Taper
	mm			mm			mm			mm			mm	
181SPZ561	56	60 1008	181SPZ562	56	60 1108		56	60 *		56	60 *		56	60 *
181SPZ601	60	64 1008	181SPZ602	60	64 1108		60	64 *		60	64 *		60	64 *
181SPZ631	63	67 1108	181SPZ632	63	67 1108	181SPZ633	63	67 1108		63	67 *		63	67 *
181SPZ671	67	71 1108	181SPZ672	67	71 1108	181SPZ673	67	71 1108		67	71 *		67	71 *
181SPZ711	71	75 1108	181SPZ712	71	75 1108	181SPZ713	71	75 1108	181SPZ714	71	75 1108		71	75 *
181SPZ751	75	79 1108	181SPZ752	75	79 1210	181SPZ753	75	79 1210	181SPZ754	75	79 1210		75	79 *
181SPZ801	80	84 1210	181SPZ802	80	84 1210	181SPZ803	80	84 1210	181SPZ804	80	84 1210		80	84 *
181SPZ851	85	89 1210	181SPZ852	85	89 1610	181SPZ853	85	89 1610	181SPZ854	85	89 1610	181SPZ855	85	89 1610
181SPZ901	90	94 1210	181SPZ902	90	94 1610	181SPZ903	90	94 1610	181SPZ904	90	94 1610	181SPZ905	90	94 1610
181SPZ951	95	99 1210	181SPZ952	95	99 1610	181SPZ953	95	99 1610	181SPZ954	95	99 1610	181SPZ955	95	99 1610
181SPZ1001	100	104 1210	181SPZ1002	100	104 1610	181SPZ1003	100	104 1610	181SPZ1004	100	104 1610	181SPZ1005	100	104 2012
181SPZ1061	106	110 1610	181SPZ1062	106	110 1610	181SPZ1063	106	110 1610	181SPZ1064	106	110 1610	181SPZ1065	106	110 2012
181SPZ1121	112	116 1610	181SPZ1122	112	116 1610	181SPZ1123	112	116 2012	181SPZ1124	112	116 2012	181SPZ1125	112	116 2012
181SPZ1181	118	122 1610	181SPZ1182	118	122 1610	181SPZ1183	118	122 2012	181SPZ1184	118	122 2012	181SPZ1185	118	122 2012
181SPZ1251	125	129 1610	181SPZ1252	125	129 1610	181SPZ1253	125	129 2012	181SPZ1254	125	129 2012	181SPZ1255	125	129 2012
181SPZ1321	132	136 1610	181SPZ1322	132	136 1610	181SPZ1323	132	136 2012	181SPZ1324	132	136 2012	181SPZ1325	132	136 2517
181SPZ1401	140	144 1610	181SPZ1402	140	144 1610	181SPZ1403	140	144 2012	181SPZ1404	140	144 2012	181SPZ1405	140	144 2517
181SPZ1501	150	154 1610	181SPZ1502	150	154 2012	181SPZ1503	150	154 2012	181SPZ1504	150	154 2517	181SPZ1505	150	154 2517
181SPZ1601	160	164 1610	181SPZ1602	160	164 2012	181SPZ1603	160	164 2012	181SPZ1604	160	164 2517	181SPZ1605	160	164 2517
181SPZ1701	170	174 1610	181SPZ1702	170	174 2012	181SPZ1703	170	174 2012	181SPZ1704	170	174 2517	181SPZ1705	170	174 2517
181SPZ1801	180	184 1610	181SPZ1802	180	184 2012	181SPZ1803	180	184 2012	181SPZ1804	180	184 2517	181SPZ1805	180	184 2517
181SPZ1901	190	194 1610	181SPZ1902	190	194 2012	181SPZ1903	190	194 2012	181SPZ1904	190	194 2517	181SPZ1905	190	194 2517
181SPZ2001	200	204 2012	181SPZ2002	200	204 2012	181SPZ2003	200	204 2012	181SPZ2004	200	204 2517	181SPZ2005	200	204 2517
181SPZ2241	224	228 2012	181SPZ2242	224	228 2012	181SPZ2243	224	228 2012	181SPZ2244	224	228 2517	181SPZ2245	224	228 2517
181SPZ2501	250	254 2012	181SPZ2502	250	254 2012	181SPZ2503	250	254 2012	181SPZ2504	250	254 2517	181SPZ2505	250	254 2517
181SPZ2801	280	284 2012	181SPZ2802	280	284 2012	181SPZ2803	280	284 2517	181SPZ2804	280	284 2517	181SPZ2805	280	284 2517
181SPZ3151	315	319 2012	181SPZ3152	315	319 2517	181SPZ3153	315	319 2517	181SPZ3154	315	319 2517	181SPZ3155	315	319 2517
181SPZ3551	355	359 2012	181SPZ3552	355	359 2012	181SPZ3553	355	359 2517	181SPZ3554	355	359 2517	181SPZ3555	355	359 2517
181SPZ4001	400	404 2012	181SPZ4002	400	404 2517	181SPZ4003	400	404 2517	181SPZ4004	400	404 2517	181SPZ4005	400	404 3020
181SPZ4501	450	454 2517	181SPZ4502	450	454 2517	181SPZ4503	450	454 2517	181SPZ4504	450	454 3020	181SPZ4505	450	454 3020
	500	504 *	181SPZ5002	500	504 2517	181SPZ5003	500	504 2517	181SPZ5004	500	504 3020	181SPZ5005	500	504 3030
	630	634 *	181SPZ6302	630	634 2517	181SPZ6303	630	634 2517	181SPZ6304	630	634 3030	181SPZ6305	630	634 3035



>>> Trapezoidal pulley for Taper

Trapezoidal pulley for Taper-lock. SPA / A / 13 Profile

At www.rodavigo.net Family: Transmission Pulleys
Product: Ribbed Belt Pulleys

Number of channels					
1	2	3	4	5	6

1 Channel			2 Channel			3 Channel			4 Channel			5 Channel			6 Channel		
Code	Taper	Diameter	Code	Taper	Diameter	Code	Taper	Diameter	Code	Taper	Diameter	Code	Taper	Diameter	Code	Taper	Diameter
	Prim.	Ext.		Prim.	Ext.		Prim.	Ext.		Prim.	Ext.		Prim.	Ext.		Prim.	Ext.
181SPA631 ¹⁾	1108	63 68	181SPA632 ¹⁾	1108	63 68		*	*	*		*	*	*		*	63	68
181SPA671	1108	67 72	181SPA672	1108	67 72		*	*	*		*	*	*		*	67	72
181SPA711	1108	71 76	181SPA712	1108	71 76	181SPA713	1108	71 76		*	71 76		*	71 76		*	71 76
181SPA751	1108	75 80	181SPA752	1108	75 80	181SPA753	1108	75 80		*	75 80		*	75 80		*	75 80
181SPA801	1210	80 85	181SPA802	1210	80 85	181SPA803	1210	80 85		*	80 85		*	80 85		*	80 85
181SPA851	1210	85 90	181SPA852	1210	85 90	181SPA853	1210	85 90		*	85 90		*	85 90		*	85 90
181SPA901	1210	90 95	181SPA902	1610	90 95	181SPA903	1210	90 95	181SPA904	1615	90 95	181SPA905	1610	90 95		*	90 95
181SPA951	1210	95 100	181SPA952	1610	95 100	181SPA953	1210	95 100	181SPA954	1615	95 100	181SPA955	1615	95 100		*	95 100
181SPA1001	1610	100 105	181SPA1002	1610	100 105	181SPA1003	1610	100 105	181SPA1004	1615	100 105	181SPA1005	1610	100 105	181SPA1006	1610	100 105
181SPA1061	1610	106 111	181SPA1062	1610	106 111	181SPA1063	1610	106 111	181SPA1064	2012	106 111	181SPA1065	2012	106 111	181SPA1066	2012	106 111
181SPA1121	1610	112 117	181SPA1122	1610	112 117	181SPA1123	2012	112 117	181SPA1124	2012	112 117	181SPA1125	2012	112 117	181SPA1126	2012	112 117
181SPA1181	1610	118 123	181SPA1182	1610	118 123	181SPA1183	2012	118 123	181SPA1184	2012	118 123	181SPA1185	2012	118 123	181SPA1186	2012	118 123
181SPA1251	1610	125 130	181SPA1252	1610	125 130	181SPA1253	2012	125 130	181SPA1254	2012	125 130	181SPA1255	2012	125 130	181SPA1256	2012	125 130
181SPA1321	1610	132 137	181SPA1322	2012	132 137	181SPA1323	2012	132 137	181SPA1324	2517	132 137	181SPA1325	2517	132 137	181SPA1326	2517	132 137
181SPA1401	1610	140 145	181SPA1402	2012	140 145	181SPA1403	2517	140 145	181SPA1404	2517	140 145	181SPA1405	2517	140 145	181SPA1406	2517	140 145

Trapezoidal pulley for Taper-lock. SPA / A / 13 Profile

Number of channels					
1	2	3	4	5	6

1 Channel			2 Channel			3 Channel			4 Channel			5 Channel			6 Channel		
Code	Taper	Diameter	Code	Taper	Diameter	Code	Taper	Diameter	Code	Taper	Diameter	Code	Taper	Diameter	Code	Taper	Diameter
	Prim.	Ext.		Prim.	Ext.		Prim.	Ext.		Prim.	Ext.		Prim.	Ext.		Prim.	Ext.
181SPA1501	1610	150 155	181SPA1502	2012	150 155	181SPA1503	2517	150 155	181SPA1504	2517	150 155	181SPA1505	2517	150 155	181SPA1506	2517	150 155
181SPA1601	1610	160 165	181SPA1602	2012	160 165	181SPA1603	2517	160 165	181SPA1604	2517	160 165	181SPA1605	2517	160 165	181SPA1606	2517	160 165
181SPA1701	1610	170 175	181SPA1702	2012	170 175	181SPA1703	2517	170 175	181SPA1704	2517	170 175	181SPA1705	2517	170 175	181SPA1706	2517	170 175
181SPA1801	1610	180 185	181SPA1802	2012	180 185	181SPA1803	2517	180 185	181SPA1804	2517	180 185	181SPA1805	3020	180 185	181SPA1806	3020	180 185
181SPA1901	2010	190 195	181SPA1902	2012	190 195	181SPA1903	2517	190 195	181SPA1904	2517	190 195	181SPA1905	3020	190 195	181SPA1906	3020	190 195
181SPA2001	2010	200 205	181SPA2002	2517	200 205	181SPA2003	2517	200 205	181SPA2004	3020	200 205	181SPA2005	3020	200 205	181SPA2006	3020	200 205
181SPA2121	2010	212 217	181SPA2122	2517	212 217	181SPA2123	2517	212 217	181SPA2124	3020	212 217	181SPA2125	3020	212 217	181SPA2126	3020	212 217
181SPA2241	2010	224 229	181SPA2242	2517	224 229	181SPA2243	2517	224 229	181SPA2244	3020	224 229	181SPA2245	3020	224 229	181SPA2246	3020	224 229
181SPA2361	2012	236 241	181SPA2362	2517	236 241	181SPA2363	2517	236 241	181SPA2364	3020	236 241	181SPA2365	3020	236 241	181SPA2366	3020	236 241
181SPA2501	2012	250 255	181SPA2502	2517	250 255	181SPA2503	2517	250 255	181SPA2504	3020	250 255	181SPA2505	3020	250 255	181SPA2506	3020	250 255
181SPA2801	2012	280 285	181SPA2802	2517	280 285	181SPA2803	2517	280 285	181SPA2804	3020	280 285	181SPA2805	3020	280 285	181SPA2806	3535	280 285
181SPA3001	2012	300 305	181SPA3002	2517	300 305	181SPA3003	3020	300 305	181SPA3004	3020	300 305	181SPA3005	3535	300 305	181SPA3006	3535	300 305
181SPA3151	2012	315 320	181SPA3152	2517	315 320	181SPA3153	3020	315 320	181SPA3154	3020	315 320	181SPA3155	3535	315 320	181SPA3156	3535	315 320
181SPA3351	2012	335 340	181SPA3352	2517	335 340	181SPA3353	3020	335 340	181SPA3354	3020	335 340	181SPA3355	3535	335 340	181SPA3356	3535	335 340
181SPA3551	2012	355 360	181SPA3552	2517	355 360	181SPA3553	3020	355 360	181SPA3554	3020	355 360	181SPA3555	3535	355 360	181SPA3556	3535	355 360
181SPA4001	2012	400 405	181SPA4002	2517	400 405	181SPA4003	3020	400 405	181SPA4004	3020	400 405	181SPA4005	3535	400 405	181SPA4006	3535	400 405
181SPA4501	2012	450 455	181SPA4502	2517	450 455	181SPA4503	3020	450 455	181SPA4504	3020	450 455	181SPA4505	3535	450 455	181SPA4506	3535	450 455
181SPA5001	2517	500 505	181SPA5002	2517	500 505	181SPA5003	3020	500 505	181SPA5004	3020	500 505	181SPA5005	3535	500 505	181SPA5006	3535	500 505
181SPA5601	2517	560 565	181SPA5602	3020	560 565	181SPA5603	3020	560 565	181SPA5604	3535	560 565	181SPA5605	3535	560 565	181SPA5606	3535	560 565
181SPA6301	2517	630 635	181SPA6302	3020	630 635	181SPA6303	3020	630 635	181SPA6304	3535	630 635	181SPA6305	3535	630 635	181SPA6306	4040	630 635
			*	800 805	181SPA8003	3535	800 805	181SPA8004	3535	800 805	181SPA8005	4040	800 805	181SPA8006	4040	800 805	
			*	1000 1005	181SPA10003	3535	1000 1005	181SPA10004	4040	1000 1005	181SPA10005	4545	1000 1005	181SPA10006	4545	1000 1005	

TRANSMISSION PULLEYS

>>> Trapezoidal pulley for Taper

At www.rodavigo.net

Family: Transmission Pulleys
Product: Ribbed Belt Pulleys

Trapezoidal pulley for Taper-lock. SPB / B / 17 Profile

Number of channels

1 2 3 4

1 Channel				2 Channels				3 Channels				4 Channels			
Code	Diameter		Taper	Code	Diameter		Taper	Code	Diameter		Taper	Code	Diameter		Taper
	Prim.	Ext.			Prim.	Ext.			Prim.	Ext.			Prim.	Ext.	
mm				mm				mm				mm			
181SPB901	90	97	1210	181SPB902 ¹⁾	90	97	1210	181SPB903 ¹⁾	90	97	1210		90	97	*
181SPB1001	100	107	1610	181SPB1002	100	107	1610	181SPB1003	100	107	1610		100	107	*
181SPB1061	106	113	1610	181SPB1062	106	113	1610	181SPB1063	106	113	1610		106	113	*
181SPB1121	112	119	1610	181SPB1122	112	119	1610	181SPB1123	112	119	1610		112	119	*
181SPB1181	118	125	1610	181SPB1182	118	125	1610	181SPB1183	118	125	1610	181SPB1184 ¹⁾	118	125	1610
181SPB1251	125	132	1610	181SPB1252	125	132	2012	181SPB1253	125	132	2012	181SPB1254	125	132	2012
181SPB1321	132	139	1610	181SPB1322	132	139	2012	181SPB1323	132	139	2012	181SPB1324	132	139	2012
181SPB1401	140	147	1610	181SPB1402	140	147	2012	181SPB1403	140	147	2012	181SPB1404	140	147	2517
181SPB1501	150	157	1610	181SPB1502	150	157	2012	181SPB1503	150	157	2517	181SPB1504	150	157	2517
181SPB1601	160	167	1610	181SPB1602	160	167	2012	181SPB1603	160	167	2517	181SPB1604	160	167	2517
181SPB1701	170	177	1610	181SPB1702	170	177	2012	181SPB1703	170	177	2517	181SPB1704	170	177	2517
181SPB1801	180	187	1610	181SPB1802	180	187	2517	181SPB1803	180	187	2517	181SPB1804	180	187	2517
181SPB1901	190	197	2012	181SPB1902	190	197	2517	181SPB1903	190	197	2517	181SPB1904	190	197	2517
181SPB2001	200	207	2012	181SPB2002	200	207	2517	181SPB2003	200	207	2517	181SPB2004	200	207	3020
181SPB2121	212	219	2012	181SPB2122	212	219	2517	181SPB2123	212	219	2517	181SPB2124	212	219	3020
181SPB2241	224	231	2012	181SPB2242	224	231	2517	181SPB2243	224	231	2517	181SPB2244	224	231	3020
181SPB2361	236	243	2012	181SPB2362	236	243	2517	181SPB2363	236	243	2517	181SPB2364	236	243	3020
181SPB2501	250	257	2012	181SPB2502	250	257	2517	181SPB2503	250	257	3020	181SPB2504	250	257	3020
181SPB2801	280	287	2012	181SPB2802	280	287	2517	181SPB2803	280	287	3020	181SPB2804	280	287	3020
181SPB3001	300	307	2012	181SPB3002	300	307	2517	181SPB3003	300	307	3020	181SPB3004	300	307	3535
181SPB3151	315	322	2012	181SPB3152	315	322	2517	181SPB3153	315	322	3020	181SPB3154	315	322	3535
	335	342	*	181SPB3352	335	342	2517	181SPB3353	335	342	3020	181SPB3354	335	342	3535
	355	362	*	181SPB3552	355	362	3020	181SPB3553	355	362	3020	181SPB3554	355	362	3535
	400	407	*	181SPB4002	400	407	3020	181SPB4003	400	407	3535	181SPB4004	400	407	3535
	450	457	*	181SPB4502	450	457	3020	181SPB4503	450	457	3535	181SPB4504	450	457	3535
	500	507	*	181SPB5002	500	507	3020	181SPB5003	500	507	3535	181SPB5004	500	507	3535
	560	567	*	181SPB5602	560	567	3030	181SPB5603	560	567	3535	181SPB5604	560	567	3535
	630	637	*	181SPB6302	630	637	3030	181SPB6303	630	637	3535	181SPB6304	630	637	3535
	710	717	*		710	717	*	181SPB7103	710	717	3535	181SPB7104	710	717	3535
	800	807	*		800	807	*	181SPB8003	800	807	3535	181SPB8004	800	807	4040
	900	907	*		900	907	*	181SPB9003	900	907	3535	181SPB9004	900	907	4040
	1000	1007	*		1000	1007	*	181SPB10003	1000	1007	4040	181SPB10004	1000	1007	4040
	1250	1257	*		1250	1257	*	181SPB12503 ¹⁾	1250	1257	4040	181SPB12504 ¹⁾	1250	1257	4040

1) Price and possibility of supply, on request.



>>> Trapezoidal pulley for Taper

Trapezoidal pulley for Taper-lock. SPB / B / 17 Profile

At www.rodavigo.net

Family: Transmission Pulleys
Product: Ribbed Belt Pulleys

Number of channels
5 6 8 10

5 Channels			6 Channels			8 Channels			10 Channels		
Code	Diameter	Taper	Code	Diameter	Taper	Code	Diameter	Taper	Code	Diameter	Taper
	Prim. Ext.			Prim. Ext.			Prim. Ext.			Prim. Ext.	
	90 97 *			90 97 *			90 97 *			90 97 *	
	100 107 *			100 107 *			100 107 *			100 107 *	
	106 113 *			106 113 *			106 113 *			106 113 *	
	112 119 *			112 119 *			112 119 *			112 119 *	
	118 125 *			118 125 *			118 125 *			118 125 *	
181SPB1255	125 132 2012			125 132 *			125 139 *			125 139 *	
181SPB1325	132 139 2517			132 132 *			132 132 *			132 132 *	
181SPB1405	140 147 2517		181SPB1406	140 147 2517			140 147 *			140 147 *	
181SPB1505	150 157 2517		181SPB1506	150 157 2517			150 157 *			150 157 *	
181SPB1605	160 167 2517		181SPB1606	160 167 3020		181SPB1608	160 167 3020			160 167 *	
181SPB1705	170 177 3020		181SPB1706	170 177 3020		181SPB1708	170 177 3020			170 177 *	
181SPB1805	180 187 3020		181SPB1806	180 187 3020		181SPB1808	180 187 3020			180 187 *	
181SPB1905	190 197 3020		181SPB1906	190 197 3020		181SPB1908	190 197 3030			190 197 *	
181SPB2005	200 207 3020		181SPB2006	200 207 3020		181SPB2008	200 207 3535			200 207 *	
181SPB2125	212 219 3020		181SPB2126	212 219 3535		181SPB2128	212 219 3535			212 219 *	
181SPB2245	224 231 3020		181SPB2246	224 231 3535		181SPB2248	224 231 3535		181SPB22410	224 231 3535	
181SPB2365	236 243 3535		181SPB2366	236 243 3535		181SPB2368	236 243 3535		181SPB23610	236 243 3535	
181SPB2505	250 257 3535		181SPB2506	250 257 3535		181SPB2508	250 257 3535		181SPB25010	250 257 3535	
181SPB2805	280 287 3535		181SPB2806	280 287 3535		181SPB2808	280 287 3535		181SPB28010	280 287 3535	
181SPB3005	300 307 3535		181SPB3006	300 307 3535		181SPB3008	300 307 3535			300 307	
181SPB3155	315 322 3535		181SPB3156	315 322 3535		181SPB3158	315 322 3535		181SPB31510	315 322 3535	
181SPB3355	335 342 3535		181SPB3356	335 342 3535		181SPB3358	335 342 3535		181SPB33510	335 342 4040	
181SPB3555	355 362 3535		181SPB3556	355 362 3535		181SPB3558	355 362 3535		181SPB35510	355 362 4040	
181SPB4005	400 407 3535		181SPB4006	400 407 3535		181SPB4008	400 407 4040		181SPB40010	400 407 4040	
181SPB4505	450 457 3535		181SPB4506	450 457 4040		181SPB4508	450 457 4040		181SPB45010	450 457 4545	
181SPB5005	500 507 3535		181SPB5006	500 507 4040		181SPB5008	500 507 4040		181SPB50010	500 507 4545	
181SPB5605	560 567 4040		181SPB5606	560 567 4040		181SPB5608	560 567 4545		181SPB56010	560 567 4545	
181SPB6305	630 637 4040		181SPB6306	630 637 4040		181SPB6308	630 637 4545		181SPB63010	630 637 4545	
181SPB7105	710 717 4040		181SPB7106	710 717 4545		181SPB7108	710 717 4545		181SPB71010	710 717 4545	
181SPB8005	800 807 4040		181SPB8006	800 807 4545		181SPB8008	800 807 4545		181SPB80010	800 807 4545	
181SPB9005	900 907 4545		181SPB9006	900 907 4545		181SPB9008	900 907 4545		181SPB90010	900 907 5050	
181SPB10005	1000 1007 4545		181SPB10006	1000 1007 4545		181SPB10008	1000 1007 5050		181SPB100010	1000 1007 5050	
181SPB12505 ¹⁾	1250 1257 4040		181SPB12506 ¹⁾	1250 1257 5050		181SPB12508 ¹⁾	1250 1257 5050			1250 1257	

Trapezoidal pulley for Taper-lock. SPC / C / 22 Profile

Number of channels
3 4 5 6 8 10

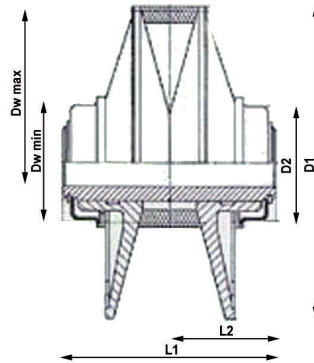
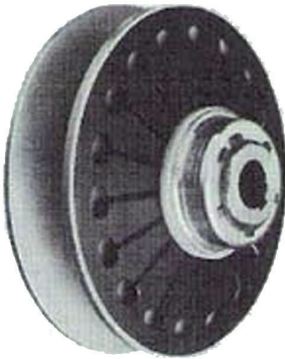
3 Channels		4 Channels		5 Channels		6 Channels		8 Channels		10 Channels		
Code	Taper	Code	Taper	Code	Taper	Code	Taper	Code	Taper	Code	Taper	Diameter
												Prim. Ext.
181SPC2003	2517	181SPC2004	3020	181SPC2005	3535	181SPC2006	3535	181SPC2008	3535			* 200 209
181SPC2123	3020	181SPC2124	3020	181SPC2125	3535	181SPC2126	3535	181SPC2128	3535			* 212 221
181SPC2243	3020	181SPC2244	3535	181SPC2245	3535	181SPC2246	3535	181SPC2248	3535	181SPC22410 ¹⁾		3535 224 233
181SPC2363	3020	181SPC2364	3535	181SPC2365	3535	181SPC2366	3535	181SPC2368	3535	181SPC23610 ¹⁾		4040 236 245
181SPC2503	3020	181SPC2504	3535	181SPC2505	3535	181SPC2506	3535	181SPC2508	3535	181SPC25010		4040 250 259
181SPC2653	3535	181SPC2654	3535	181SPC2655	3535	181SPC2656	3535	181SPC2658	3535	181SPC26510		4040 265 274
181SPC2803	3535	181SPC2804	3535	181SPC2805	3535	181SPC2806	3535	181SPC2808	3535	181SPC28010		4040 280 289
181SPC3003	3535	181SPC3004	3535	181SPC3005	3535	181SPC3006	3535	181SPC3008	4040	181SPC30010		4545 300 309
181SPC3153	3535	181SPC3154	3535	181SPC3155	3535	181SPC3156	3535	181SPC3158	4040	181SPC31510		4545 315 324
181SPC3353	3535	181SPC3354	3535	181SPC3355	3535	181SPC3356	3535	181SPC3358	4040	181SPC33510		4545 335 344
181SPC3553	3535	181SPC3554	3535	181SPC3555	3535	181SPC3556	3535	181SPC3558	4040	181SPC35510		4545 355 364
181SPC3753	3535	181SPC3754	3535	181SPC3755	3535	181SPC3756	4040	181SPC3758	4545	181SPC37510		4545 375 384
181SPC4003	3535	181SPC4004	3535	181SPC4005	3535	181SPC4006	4040	181SPC4008	4545	181SPC40010		5050 400 409
181SPC4253	3535	181SPC4254	3535	181SPC4255	3535	181SPC4256	4040	181SPC4258	4545	181SPC42510		5050 425 434
181SPC4503	3535	181SPC4504	3535	181SPC4505	4040	181SPC4506	4545	181SPC4508	5050	181SPC45010		5050 450 459
181SPC4753	3535	181SPC4754	3535	181SPC4755	4040	181SPC4756	4545	181SPC4758	5050	181SPC47510		5050 475 484
181SPC5003	3535	181SPC5004	3535	181SPC5005	4040	181SPC5006	4545	181SPC5008	5050	181SPC50010		5050 500 509
181SPC5303	3535	181SPC5304	4040	181SPC5305	4545	181SPC5306	5050	181SPC5308	5050	181SPC53010		5050 530 539
181SPC5603	3535	181SPC5604	4040	181SPC5605	4545	181SPC5606	5050	181SPC5608	5050	181SPC56010		5050 560 569
181SPC6303	4040	181SPC6304	4545	181SPC6305	5050	181SPC6306	5050	181SPC6308	5050	181SPC63010		5050 630 639
181SPC7103	4040	181SPC7104	4545	181SPC7105	5050	181SPC7106	5050	181SPC7108	5050	181SPC71010		5050 710 719
181SPC8003	4545	181SPC8004	5050	181SPC8005	5050	181SPC8006	5050	181SPC8008	5050	181SPC80010		5050 800 809
181SPC10003	5050	181SPC10004	5050	181SPC10005	5050	181SPC10006	5050	181SPC10008	5050	181SPC100010		5050 1000 1009
181SPC12503 ¹⁾	4040	181SPC12504 ¹⁾	5050	181SPC12505 ¹⁾	5050	181SPC12506 ¹⁾	5050	181SPC12508 ¹⁾	5050	181SPC125010 ¹⁾		5050 1250 1259

TRANSMISSION PULLEYS

>>> Variable speed pulleys

At www.rodavigo.net Family: Transmission Pulleys
Product: Variator pulleys

Variator pulley

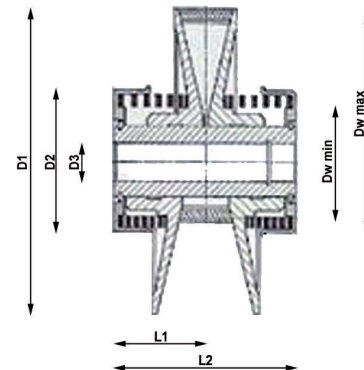
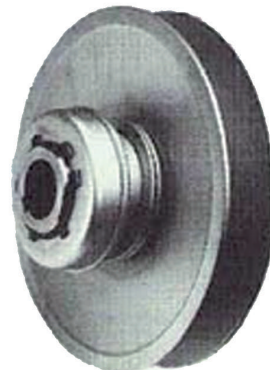


The EDS series variator pulleys have been designed to simplify as much as possible the largest type of applications for industrial use, canceling the "factor" of any type of maintenance throughout the pulley lifetime, this is achieved thanks to its special polygonal profile surrounding its central core, which achieves a total recovery of the set during normal wear and tear. The core has a RILSAN material coating that facilitates sliding of the plates. The plates are made of highly reliable mechanical cast iron, fully machined to achieve perfect centering and balance. The "diaphragm" type springs ensure a correct and homogeneous pressure for the correct operation of the belt.

EDS

Code	182EDS13014	182EDS16019	182EDS20024		182EDS27028	182EDS30038	182EDS33038	182EDS36042	
	182EDS13019	182EDS16024	182EDS20028	182EDS22528	182EDS27038	182EDS30042	182EDS33042	182EDS36048	
Size	130	160	200	225	270	300	330	360	
Power kW / at 1400 (RPM)	0,75	1,5	2,2	2,9	4	7,5	15	18,5	
Pulley section	22x8	28x8	37x10	47x13	47x13	55x15	65x20	70x20	
D ₁	130	160	195	225	270	300	330	360	
D ₂	58	66	66	85	85	100	115	115	
DW	Min	44	51	76	73	80	85	100	120
	Máx	126	156	190	218,5	263,5	292	320	350
L ₁	92	105	125	140	150	180	195	220	
L ₂	46	52,5	62,5	70	75	90	97,5	110	
Shaft diameter (DIN chav)	14-19*	19-24*	24-28*	28*	28-38*	38-42*	38-42*	42-48*	
Weight kg	1,5	3	5	6,5	10	14	21	23	

Variation range 1: 3 / with fixed counter pulley)



S-100

Code	182S10011014	182S10012014	182S10015519	182S10018024		182S10027028	182S10030038	182S10035042		
	182S1009514	182S10011019	182S10012019	182S10015524	182S10018028	182S10022028	182S10027038	182S10030042	182S10035048	
Size	95	110	120	155	180	220	270	300	350	
Power kW / at 1400 RPM)	0,35	0,55	0,75	1,5	2,2	4	7,5	11	18,5	
Pulley section	13x6	17x5	22x8	28x8	28x8	37x10	47x13	55x15	70x18	
D ₁	95	110	120	155	180	220	270	300	360	
D ₂ (shaft diameter with DIN chav)	14*	14-19*	14-19*	19-24*	24-28*	28*	28-38*	38-42*	42-48*	
D ₃	58	58	58	66	85	90	100	100	110	
DW	Min	40	41,5	47	56	64	72	88	98	121
	Máx	92	107,5	117	151	176	215	263,5	292	351
L ₁	65	72	72	94	108	130	148	180	220	
L ₂	32,5	36	36	47	54	65	74	90	110	
Weight kg	1	1,5	2	3	4	6	10	14	23	

Variation range 1: 3 / with fixed counter pulley)

www.rodavigo.net



EN +34 986 288 118 web@rodavigo.com FEDER REGISTRATION B2B ACCESS

rodavigo.net All Categories Search by keyword or reference Search by Several Concepts

ALL CATEGORIES MANUFACTURERS PDF CATALOGUE ABOUT RODAVIGO BLOG CONTACT GUIDED SEARCH

Access

B2B Access

Enter your details below to access the private area.

Email or User

Password

[I don't remember my password](#)

ACCESS

Sign Up

If you are not yet a user of Rodavigo you can register now and enjoy the following advantages:

- Benefit from **discounts**.
- Access to **your documents in real time**.
- Receive **personalized offers**.
- More than **1.8 million references**.
- Access to your **orders, invoices, delivery notes...**

SIGN UP

Certifications



Awards and Honours



QUICK LINKS

- All Categories
- Major Manufacturers
- Manufacturers PDF catalogues
- Why Rodavigo?
- Blog
- FAQs
- Work with Us
- General Conditions

NEWSLETTER

Do you want to be aware of the latest news? Rodavigo will keep you informed.

SUBSCRIBE TO OUR NEWSLETTER

CONTACT

+34 986 288 118

Polígono Industrial O Rebullón
36416 Mos, Pontevedra, España

web@rodavigo.com

YouTube Twitter LinkedIn Facebook

Register and get access to the private area.